

Switches and Plugs: Receptacle Interlocked with Switch and Plug, DRCS and DPG Series

Flameproof and Dust protection by enclosure

Zone 1 & 2 – 21 & 22

Application

The DRCS receptacle interlocked with switches and DPG plugs are used for power supply to portable electrical equipments or motors. They are designed for zone 1, 2 and zone 21, 22 hazardous areas.

Specification

- Body, cover : Marine grade copper-free aluminium alloy with polyester powder coated, RAL 7032 (Grey)
- Bolts : Stainless steel, SUS 304
- Option
- Body, cover : Offshore painting (Acrylic polyurethane coating)
- Lid screws : Stainless steel, SUS 316

Technical Data

Hazardous Area	Gas	Dust
Zones	1 & 2	21 & 22
Equipment Group/Category	Ex II 2G	Ex II 2D
Symbol of Protection	Ex db IIB T6/T5 Gb	Ex tb IIIC T85°C/ T100°C Db IP66
Certificate	TÜV CY 18 ATEX 0205994 X	
Conformity to Standards	EN 60079-0:2012+A11:2013, EN 60079-1:2014, EN 60079-31:2014	
Ambient Temperature	-20°C to +55°C	
Index of Protection	IP66	
Entries	Ø1/2" to Ø1-1/2" NPT or M20x1.5 to M50x1.5 on Top & Bottom (1-stopping plug)	
Mounting	Wall mount	

To reduce the risk of ignition, do not use receptacles and plugs in locations that contain electrically conductive dusts.



Catalogue Number Logic

Receptacle Interlocked with Switch

DRCS

Series	Number of Pole	Max. Current	Entries	
			NPT	Metric (option)
3	3-poles (L,N,E)	16	N1 Ø1/2" NPT	M1 M20x1.5
4	4-poles (L1,L2,L3,E)	20	N2 Ø3/4" NPT	M2 M25x1.5
5	5-poles (L1,L2,L3,N,E)	32	N3 Ø1" NPT	M3 M32x1.5
		63	N4 Ø1-1/4" NPT	M4 M40x1.5
			N5 Ø1-1/2" NPT	M5 M50x1.5

Plug

DPG

Series	Number of Pole	Max. Current	Cable Dia.	
3	3-poles (L,N,E)	16	14	9-14mm.
4	4-poles (L1,L2,L3,E)	20	19	15-19mm.
5	5-poles (L1,L2,L3,N,E)	32	22	20-22mm.
		63	24	23-24mm.
			27	25-27mm.
			30	28-30mm.
			33	31-33mm.
			36	34-36mm.
			39	37-39mm.
			40	40mm.



Switches and Plugs: Receptacle Interlocked with Switch and Plug, DRCS and DPG Series

Flameproof and Dust protection by enclosure

Zone 1 & 2 – 21 & 22



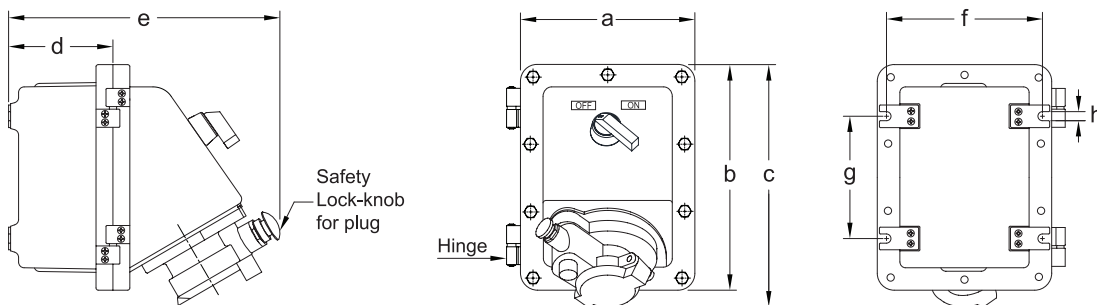
Ordering Requirements

Receptacle Interlocked with Switch

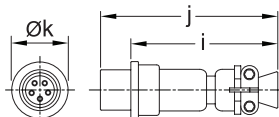
Phase/Wire/ Pole	Max. Current (A)	Voltage (V)	Entries (Top & Bottom)				Volume (dm ³)	Approx. Weight (kgs.)	Plug		
			NPT	Cat. No.	Metric	Cat. No.			Cable Diameter	Cat. No.	Approx. Weight (kgs.)
	16A.	220V.ac 50/60Hz.	Ø1/2" NPT	DRCS 316-N1	M20x1.5	DRCS 316-M1	2.24	7.25	9-14 mm.	DPG 316-14	0.85
			Ø3/4" NPT	DRCS 316-N2	M25x1.5	DRCS 316-M2			15-19 mm.	DPG 316-19	
	20A.	220V.ac 50/60Hz.	Ø3/4" NPT	DRCS 320-N2	M25x1.5	DRCS 320-M2	2.24	7.25	15-19 mm.	DPG 320-19	0.85
			Ø1" NPT	DRCS 320-N3	M32x1.5	DRCS 320-M3			20-22 mm.	DPG 320-22	
	32A.	220V.ac 50/60Hz.	Ø3/4" NPT	DRCS 332-N2	M25x1.5	DRCS 332-M2	2.24	7.25	23-24 mm.	DPG 320-24	0.85
			Ø1" NPT	DRCS 332-N3	M32x1.5	DRCS 332-M3			15-19 mm.	DPG 332-19	
63A.	220V.ac 50/60Hz.	Ø1" NPT	DRCS 363-N3	M32x1.5	DRCS 363-M3	2.24	12.65	20-22 mm.	DPG 332-22	0.85	
		Ø1-1/4" NPT	DRCS 363-N4	M40x1.5	DRCS 363-M4			23-24 mm.	DPG 332-24		
	16A.	380V.ac 50/60Hz.	Ø3/4" NPT	DRCS 416-N2	M25x1.5	DRCS 416-M2	2.24	7.25	15-19 mm.	DPG 416-19	0.85
			Ø1" NPT	DRCS 416-N3	M32x1.5	DRCS 416-M3			20-22 mm.	DPG 416-22	
	20A.	380V.ac 50/60Hz.	Ø3/4" NPT	DRCS 420-N2	M25x1.5	DRCS 420-M2	2.24	7.25	23-24 mm.	DPG 416-24	0.85
			Ø1" NPT	DRCS 420-N3	M32x1.5	DRCS 420-M3			15-19 mm.	DPG 420-19	
	32A.	380V.ac 50/60Hz.	Ø3/4" NPT	DRCS 432-N2	M25x1.5	DRCS 432-M2	2.24	7.25	20-22 mm.	DPG 420-22	0.85
			Ø1" NPT	DRCS 432-N3	M32x1.5	DRCS 432-M3			23-24 mm.	DPG 420-24	
63A.	380V.ac 50/60Hz.	Ø1-1/4" NPT	DRCS 463-N4	M40x1.5	DRCS 463-M4	2.24	12.65	25-27 mm.	DPG 432-19	0.85	
		Ø1-1/2" NPT	DRCS 463-N5	M50x1.5	DRCS 463-M5			20-22 mm.	DPG 432-22		
	16A.	220/ 380V.ac 50/60Hz.	Ø3/4" NPT	DRCS 516-N2	M25x1.5	DRCS 516-M2	5.82	8.15	15-19 mm.	DPG 463-19	0.85
			Ø1" NPT	DRCS 516-N3	M32x1.5	DRCS 516-M3			20-22 mm.	DPG 463-22	
	20A.	220/ 380V.ac 50/60Hz.	Ø3/4" NPT	DRCS 520-N2	M25x1.5	DRCS 520-M2	5.82	8.15	23-24 mm.	DPG 463-24	0.85
			Ø1" NPT	DRCS 520-N3	M32x1.5	DRCS 520-M3			15-19 mm.	DPG 520-19	
	32A.	220/ 380V.ac 50/60Hz.	Ø3/4" NPT	DRCS 532-N2	M25x1.5	DRCS 532-M2	5.82	8.15	20-22 mm.	DPG 520-22	0.85
			Ø1" NPT	DRCS 532-N3	M32x1.5	DRCS 532-M3			23-24 mm.	DPG 520-24	
63A.	220/ 380V.ac 50/60Hz.	Ø1-1/4" NPT	DRCS 563-N4	M40x1.5	DRCS 563-M4	5.82	12.65	25-27 mm.	DPG 532-19	0.85	
		Ø1-1/2" NPT	DRCS 563-N5	M50x1.5	DRCS 563-M5			20-22 mm.	DPG 532-22		
								23-24 mm.	DPG 532-24		
								25-27 mm.	DPG 563-27		
								28-30 mm.	DPG 563-30		
								31-33 mm.	DPG 563-33		
								34-36 mm.	DPG 563-36		
								37-39 mm.	DPG 563-39		
								40 mm.	DPG 563-40		

Dimension

Receptacle Interlocked with Switch



Plug



Current (A)	Dimension in mm.										
	a	b	c	d	e	f	g	h	i	j	øk
16A., 20A., 32A.	171	229	248	114	277	145	100	10	155	195	68
63A.	206	311	319	120	312	190	160	12	162	202	68