

Lighting: Fluorescent Lighting Fixture, DNGV Series

Flameproof and Dust protection by enclosure

Zone 1 & 2 – 21 & 22

Application

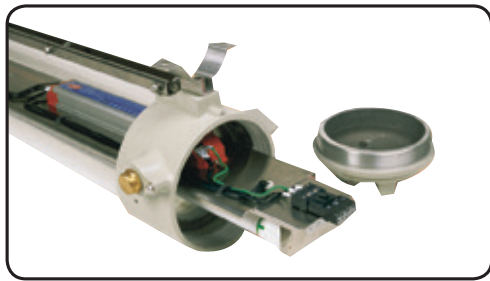
The DNGV used for petroleum mining, oil refining, chemical industry, and other dangerous environment for general lighting and operational lighting.

Specification

- Body material : Marine grade copper-free aluminium alloy with polyester powder coated, RAL 7032 (Grey)
- Tube : Borosilicate glass
- Internal reflector : Stainless steel, SUS 304
- Sealing gasket : Silicone

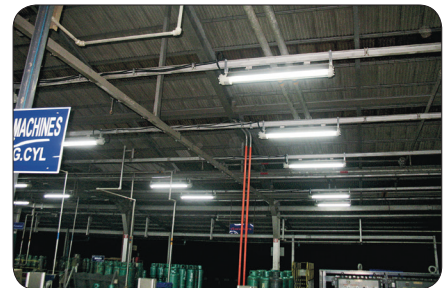
Option

- Body : Offshore painting (Acrylic polyurethane coating)

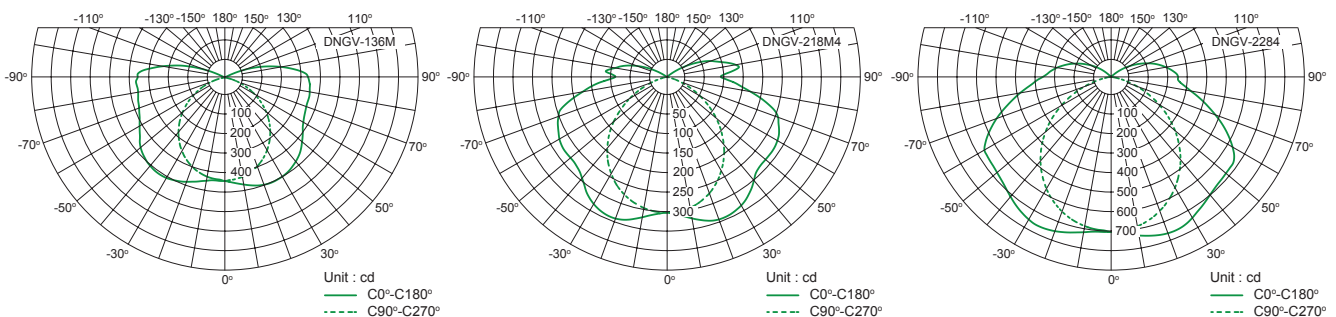


Technical Data

Hazardous Area	Gas	Dust
Zones	1 & 2	21 & 22
Equipment Group/Category	Ex II 2G	Ex II 2D
Symbol of Protection	Ex d IIB T4, T5 or T6	Ex tD A21 IP66 T135°C, T100°C or T85°C
Certificate	PTB 08 ATEX 1018 IECEx PTB 08.0014	
Conformity to Standards	EN 60079-0:2006, EN 60079-1:2004, EN 61241-0:2006, EN 61241-1:2004 IEC 60079-0:2004, IEC 60079-1:2003, IEC 61241-0:2004, IEC 61241-1:2004	
Ambient Temperature	-20°C to +50°C/ +55°C	
Index of Protection	IP66	
Entries	2- M20x1.5, 2- M25x1.5 or 2- Ø3/4" NPT (1-stopping plug)	
Mounting	Ceiling (standard), Pendant or Bracket	
Connection	L, N and E ; for 1-4mm. ² cable (Through wiring system with an extra terminal block for cable connection at both ends.)	
Rated Voltage	220/ 230/ 240V.ac ±5 50Hz. (P.F. ≥ 0.98)	



Luminous Intensity Distribution Curve



Complete photometrics, please contact us.

Lighting: Fluorescent Lighting Fixture, DNGV Series

Flameproof and Dust protection by enclosure

Zone 1 & 2 – 21 & 22



Catalogue Number Logic

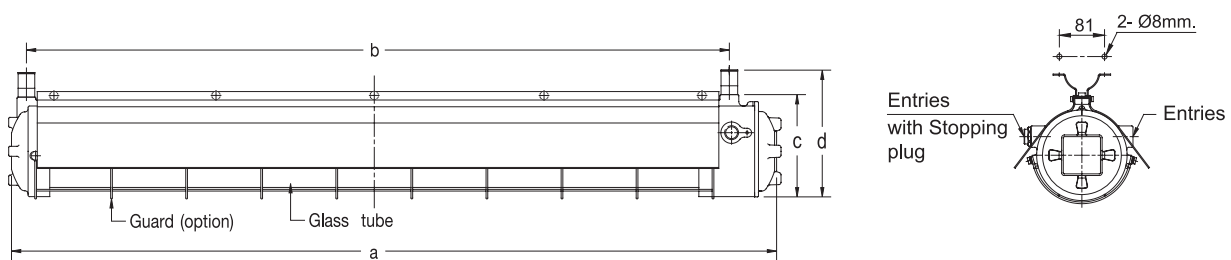
DNGV	-	■ ■ ■ ■	■	■	-	□	-	□ □	-	□ □
Series	Lamp Watt (see ordering requirement table below)	Ballast Type	Voltage	Accessories	Entries	Mounting				
		none Electronic ballast M Electromagnetic ballast	none 220V.ac 3 220-230V.ac 4 220-240V.ac	G Protective guard R External reflector E Emergency unit	M1 M20x1.5 M2 M25x1.5 N1 Ø1/2" NPT N2 Ø3/4" NPT	C Ceiling (standard) C1 Ceiling (for pipe), Fixed C2 Ceiling (for pipe), Swing P1 Pendant (for chain) P2 Pendant (for pipe) B Bracket				

Ordering Requirements and Dimension

Cat. No.	Lamp Watt	Voltage	Ballast	Temp. Class (for zone 1 & 2)		Max. Surface Temp.* (for zone 21 & 22)		Volume (dm ³)	Dimension in mm.				Approx. Weight (kgs.)
				Ta 40°C	Ta 55°C	Ta 40°C	Ta 55°C		a	b	c	d	
T8 Fluorescent Lamp													
DNGV-118M	-□-□□ 1x 18W.	220V.ac 50Hz.	Electromagnetic "Philips"	T5	T4	T100°C	T135°C	17.09	759	657	184	228	9.10
DNGV-218M	-□-□□ 2x 18W.												9.35
DNGV-136M	-□-□□ 1x 36W.			T6	T5	T85°C	T100°C						15.09
DNGV-236M	-□-□□ 2x 36W.												15.55
DNGV-118M	-□-□□ 1x 18W.	220V.ac 50Hz.	Electromagnetic "Vossloh-Schwabe"	T5	T4	T100°C	T135°C	17.09	759	657	184	228	9.10
DNGV-218M	-□-□□ 2x 18W.			T4	T4	T135°C	T135°C						9.35
DNGV-136M	-□-□□ 1x 36W.			T4	T4	T135°C	T135°C						15.09
DNGV-236M	-□-□□ 2x 36W.												15.55
DNGV-118M4	-□-□□ 1x 18W.	220-240V.ac 50Hz.	Electromagnetic "Vossloh-Schwabe"	T4	T4	T135°C	T135°C	17.09	759	657	184	228	9.10
DNGV-218M4	-□-□□ 2x 18W.												9.35
DNGV-136M4	-□-□□ 1x 36W.			T5	T4	T100°C	T135°C						15.09
DNGV-236M4	-□-□□ 2x 36W.												15.55

Cat. No.	Lamp Watt	Voltage	Ballast	Temp. Class (for zone 1 & 2)			Max. Surface Temp.* (for zone 21 & 22)			Volume (dm ³)	Dimension in mm.				Approx. Weight (kgs.)
				Ta 40°C	Ta 50°C	Ta 55°C	Ta 40°C	Ta 50°C	Ta 55°C		a	b	c	d	
T5 Fluorescent Lamp															
DNGV-1144	-□-□□ 1x 14W.	220-240V.ac 50/60Hz.	Electronic "Vossloh-Schwabe" (ELXc)	T6	-	T6	T85°C	-	T85°C	17.09	759	657	184	228	12.09
DNGV-2144	-□-□□ 2x 14W.														12.28
DNGV-1284	-□-□□ 1x 28W.														15.45
DNGV-2284	-□-□□ 2x 28W.														16.05
DNGV-1143	-□-□□ 1x 14W.	220-230V.ac 50Hz.	Electronic "Philips" (EB-E)	T6	T6	-	T85°C	T85°C	-	17.09	759	657	184	228	12.09
DNGV-2143	-□-□□ 2x 14W.														12.28
DNGV-1283	-□-□□ 1x 28W.														15.45
DNGV-2283	-□-□□ 2x 28W.														16.05

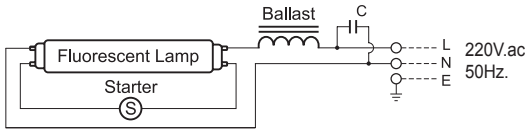
Lighting source; cool white (6500K) are standard and/or warm white (3000K), please specify.



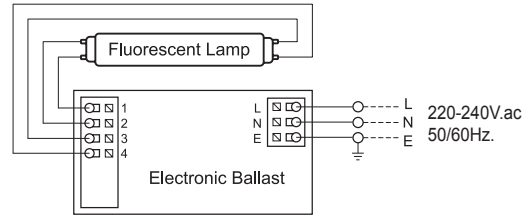
Remark *: The maximum surface temperatures are specified for dust free condition. The dust layer which may cover around the lighting fixture will cause to higher surface temperature.

Wiring Diagram

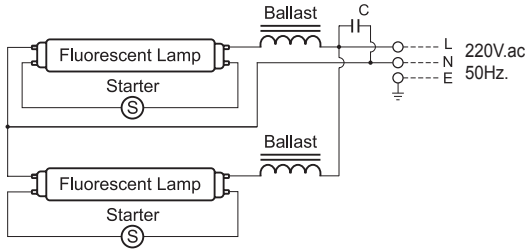
Electromagnetic ballast for fluorescent lamp;
1 x 14W., 1 x 28W., 1 x 18W. and 1 x 36W.



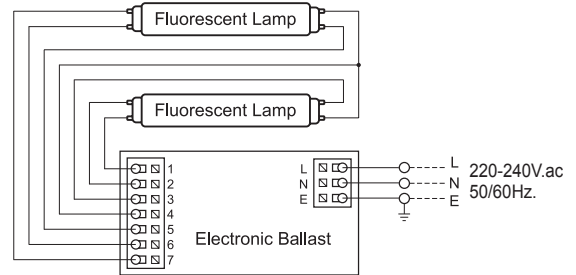
Electronic ballast for fluorescent lamp;
1 x 14W., 1 x 28W., 1 x 18W. and 1 x 36W.



Electromagnetic ballast for fluorescent lamp;
2 x 14W., 2 x 28W., 2 x 18W. and 2 x 36W.

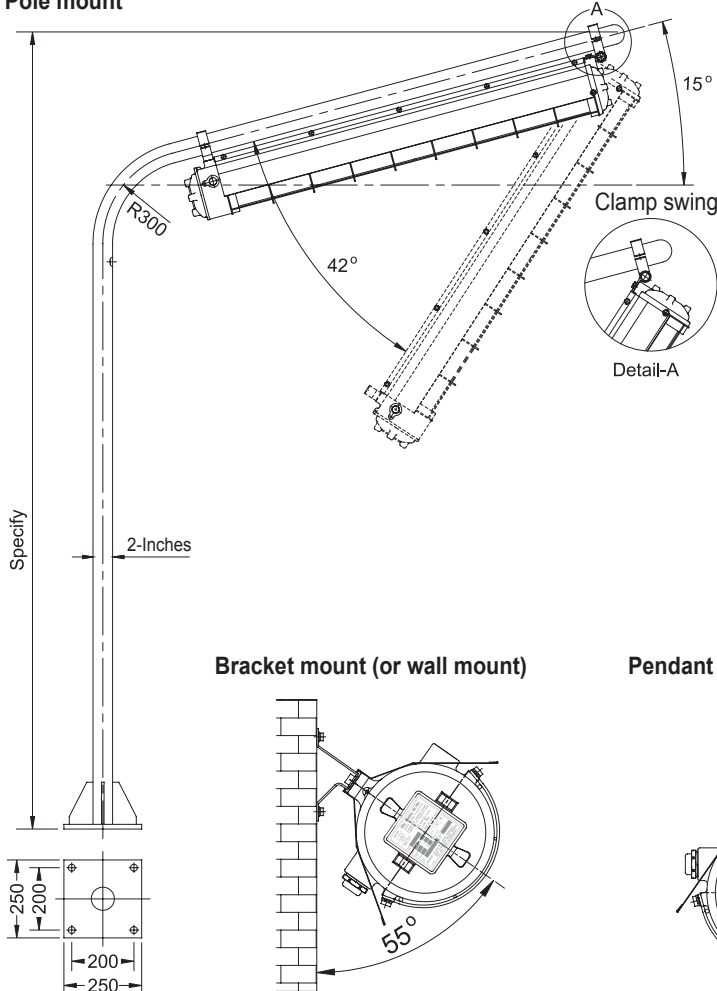


Electronic ballast for fluorescent lamp;
2 x 14W., 2 x 28W., 2 x 18W. and 2 x 36W.

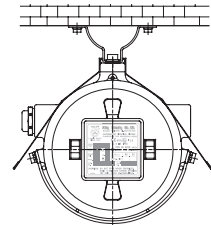


Installation Information

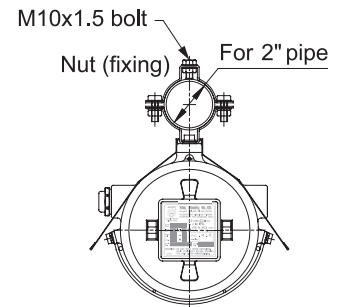
Pole mount



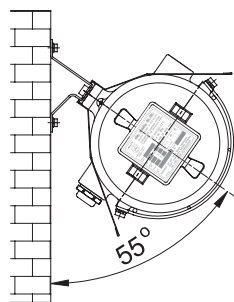
Ceiling mount (standard)



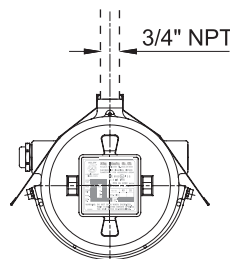
Ceiling mount (for pipe)



Bracket mount (or wall mount)



Pendant mount (for pipe)



Pendant mount (for chain)

