

# Lighting: H.I.D. (High Intensity Discharge) Lighting Fixture, DMV1, DPS1, DMH1 Series



Flameproof/ Increased Safety and Dust protection by enclosure  
Zone 1 & 2 – 21 & 22

## Specification

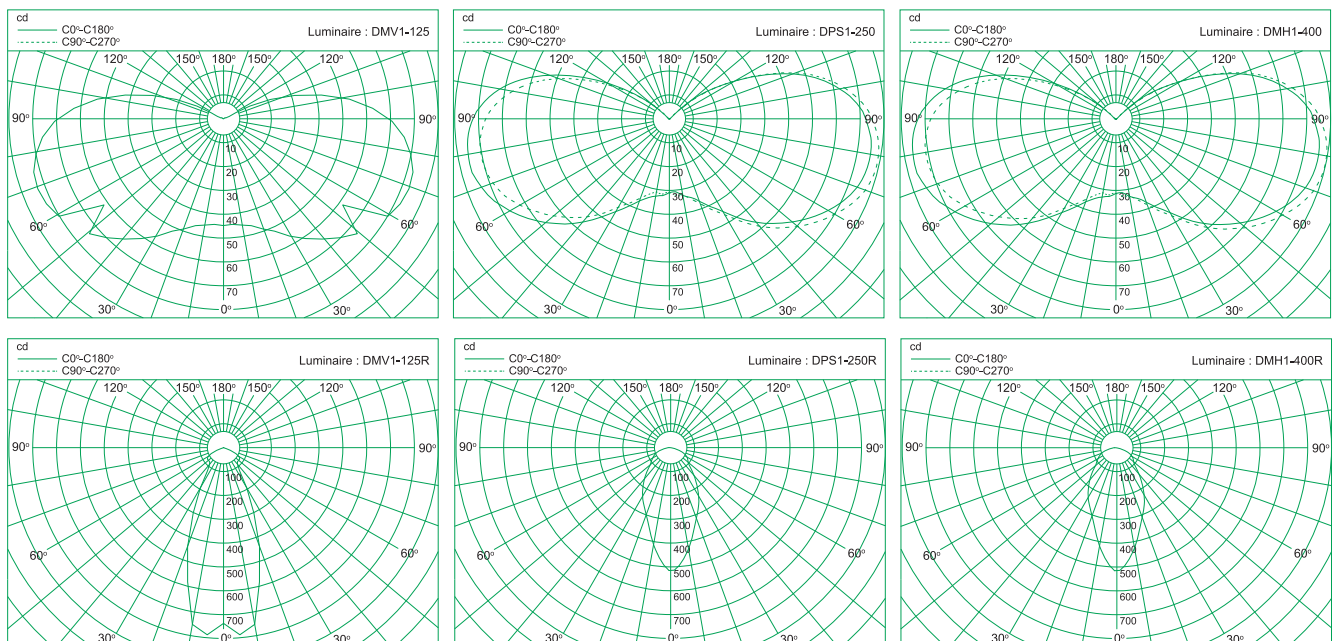
- Body material : Marine grade copper-free aluminium alloy with polyester powder coated, RAL 7032 (Grey)
- Glass globe : Borosilicate glass
- Sealing gasket : Silicone
- Bracket : Hot-dip galvanized steel
- Reflector (option) : Anodized aluminium
- Basket guard (option) : Stainless steel

## Technical Data

<b>Hazardous Area</b>	Gas	Dust
<b>Zones</b>	1 & 2	21 & 22
<b>Equipment Group/Category</b>	⊕ II 2G	⊕ II 2D
<b>Symbol of Protection</b>	Ex de IIB T3, T4 or T5	Ex tD A21 IP66 T200°C, T135°C or T100°C
<b>Certificate</b>	PTB 09 ATEX 1042 X	
<b>Conformity to standards</b>	EN 60079-0:2006, EN 60079-1:2007, EN 60079-7:2007, EN 61241-0:2006, EN 61241-1:2004	
<b>Ambient Temperature</b>	-20°C to +40°C/ +55°C	
<b>Index of Protection</b>	IP66	
<b>Entries</b>	2- M25x1.5 or 2- Ø3/4" NPT (1-stopping plug)	
<b>Mounting</b>	Ceiling or Bracket mounting (standard) (Optional mounting provided with 2x M10 eye bolts, clamps for, Ø2 inch pipe)	
<b>Connection</b>	L, N and E ; for 1-4mm. <sup>2</sup> cable (spring type terminal) (Through wiring system with an extra terminal block for cable connection at both ends.)	
<b>Rated Voltage</b>	220/ 230V.ac ±5% 50Hz.	



## Polar Luminous Intensity Distribution



Complete photometrics, please contact us.

# Lighting: H.I.D. (High Intensity Discharge) Lighting Fixture, DMV1, DPS1, DMH1 Series



Flameproof/ Increased Safety and Dust protection by enclosure

Zone 1 & 2 – 21 & 22

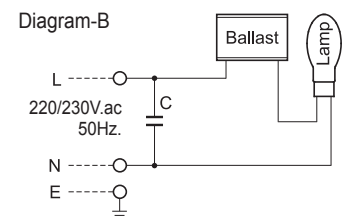
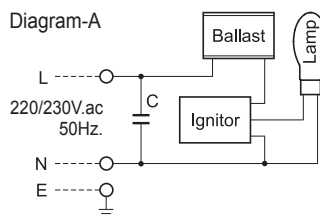
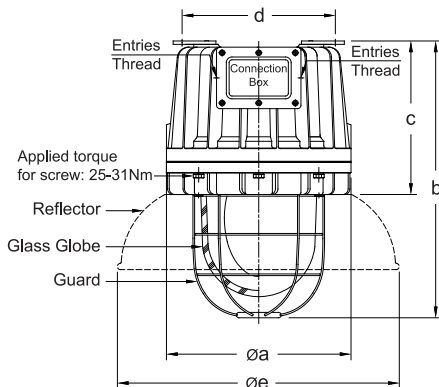
## Catalogue Number Logic

<b>D</b> ■ ■ ■ 1	-	■ ■ ■ ■	■	-	□	-	□
<b>Series</b>		<b>Lamp Watt</b>	<b>Voltage</b>		<b>Accessories</b>	<b>Mounting</b>	<b>Entries</b>
DMV1 Mercury Vapor		(see ordering requirement table below)	none 220V.ac 3 230V.ac		G Basket guard R Reflector	C Ceiling B Bracket	M2 M25x1.5 N2 Ø3/4" NPT
DPS1 High Pressure Sodium							
DMH1 Metal Halide							

## Ordering Requirements and Dimension

Cat. No.	Lamp Watt	Voltage	Lamp/ Ballast/ Ignitor	Temp. Class (for zone 1 & 2)		Max. Surface Temp.* (for zone 21 & 22)		Wiring Diagram	
				Ta 40°C	Ta 55°C	Ta 40°C	Ta 55°C		
<b>Mercury Vapor Lamp</b>									
DMV1-80	- □ 80W.	220V.ac	HPL-N 80W / Q80.587 / -	T5	T4	T100°C	T135°C	Dia-B	
		50Hz.	HPL-N 80W / OMB80-35 / -	T5	T5	T100°C	T100°C	Dia-B	
DMV1-125	- □ 125W.		HPL-N 125W / Q125.549 / -	T5	T4	T100°C	T135°C	Dia-B	
DMV1-250	- □ 250W.		HPL-N 250W / Q250.513 / -	T4	T4	T135°C	T135°C	Dia-B	
DMV1-400	- □ 400W.		HPL-N 400W / Q400.561 / -	T4	T3	T135°C	T200°C	Dia-B	
DMV1-80 3	- □ 80W.	230V.ac	HPL-N 80W / Q80.588 / -	T5	T5	T100°C	T100°C	Dia-B	
DMV1-125 3	- □ 125W.	50Hz.	HPL-N 125W / Q125.568 / -	T4	T4	T135°C	T135°C	Dia-B	
DMV1-250 3	- □ 250W.		HPL-N 250W / Q250.528 / -	T4	T4	T135°C	T135°C	Dia-B	
<b>High Pressure Sodium Lamp</b>									
DPS1-70	- □ 70W.	220V.ac	SON-70WI / NaHJ70.320 / -	T5	T5	T100°C	T100°C	Dia-B	
DPS1-150	- □ 150W.	50Hz.	SON-150W / NaHJ150.355 / Z400M	T5	T5	T100°C	T100°C	Dia-A	
DPS1-250	- □ 250W.		SON-250W / NaHJ250.160 / Z400M	T4	T4	T135°C	T135°C	Dia-A	
DPS1-400	- □ 400W.		SON-400W / NaHJ400.162 / Z400M	T4	T3	T135°C	T200°C	Dia-A	
DPS1-70I 3	- □ 70W.	230V.ac	SON-70WI / NaHJ70.158 / -	T5	T4	T100°C	T135°C	Dia-B	
DPS1-70 3	- □ 70W.	50Hz.	SON-70W / NaHJ70.158 / Z400M	T5	T4	T100°C	T135°C	Dia-A	
DPS1-150 3	- □ 150W.		SON-150W / NaHJ150.100.973 / Z400M	T5	T4	T100°C	T135°C	Dia-A	
DPS1-400 3	- □ 400W.		SON-400W / NaHJ400.006 / Z400M	T4	T3	T135°C	T200°C	Dia-A	
<b>Metal Halide Lamp</b>									
DMH1-70	- □ 70W.	220V.ac	MH 70W / NaHJ70.320 / Z400M	T5	T4	T100°C	T135°C	Dia-A	
		50Hz.	MH 70W / OMS 70-T35 / Z400M	T5	T5	T100°C	T100°C	Dia-A	
DMH1-100	- □ 100W.		MH 100W / OMS 100 / Z400M	T5	T4	T100°C	T135°C	Dia-A	
DMH1-150	- □ 150W.		MH 150W / OMS 150 / Z400M	T6	T5	T85°C	T100°C	Dia-A	
DMH1-250	- □ 250W.		HPI PLUS-250W BU / Q250.513 / Z400M	T4	T4	T135°C	T135°C	Dia-A	
DMH1-400	- □ 400W.		HPI PLUS-400W BUS / Q400.561 / -	T4	T3	T135°C	T200°C	Dia-B	
DMH1-70 3	- □ 70W.	230V.ac	MH 70W / NaHJ70.128 / Z400M	T5	T4	T100°C	T135°C	Dia-A	
DMH1-250 3	- □ 250W.	50Hz.	HPI PLUS-250W BU / Q250.528 / Z400M	T4	T4	T135°C	T135°C	Dia-A	

Remark \*: The maximum surface temperatures are specified for dust free condition. The dust layer which may cover around the lighting fixture will cause to higher surface temperature.



Cat. No.	Dimension in mm.					Approx. Weight (kgs.)
	øa	b	c	d	øe	
<b>Mercury Vapor Lamp</b>						
DMV1-80, DMV1-80 3, DMV1-125, DMV1-125 3	274	356	196	208	450	14.0
DMV1-250, DMV1-250 3	330	494	274	274	504	25.0
DMV1-400	330	494	274	274	504	25.5

Cat. No.	Dimension in mm.					Approx. Weight (kgs.)
	øa	b	c	d	øe	
<b>High Pressure Sodium Lamp</b>						
DPS1-70I, DPS1-70, DPS1-70 3	274	356	196	208	450	14.0
DPS1-150, DPS1-150 3	330	539	319	274	504	25.5
DPS1-250	330	539	319	274	504	27.5
DPS1-400, DPS1-400 3	330	539	319	274	504	28.5
<b>Metal Halide Lamp</b>						
DMH1-70, DMH1-70 3, DMH1-100	274	356	196	208	450	14.0
DMH1-150	330	494	274	274	504	25.0
DMH1-250, DMH1-250 3	330	539	319	274	504	25.0
DMH1-400	330	539	319	274	504	25.5

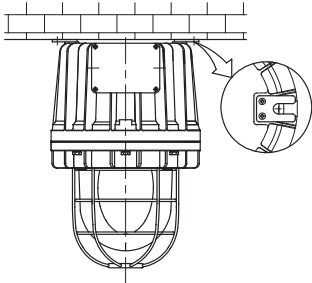
# Lighting: H.I.D. (High Intensity Discharge) Lighting Fixture, DMV1, DPS1, DMH1 Series



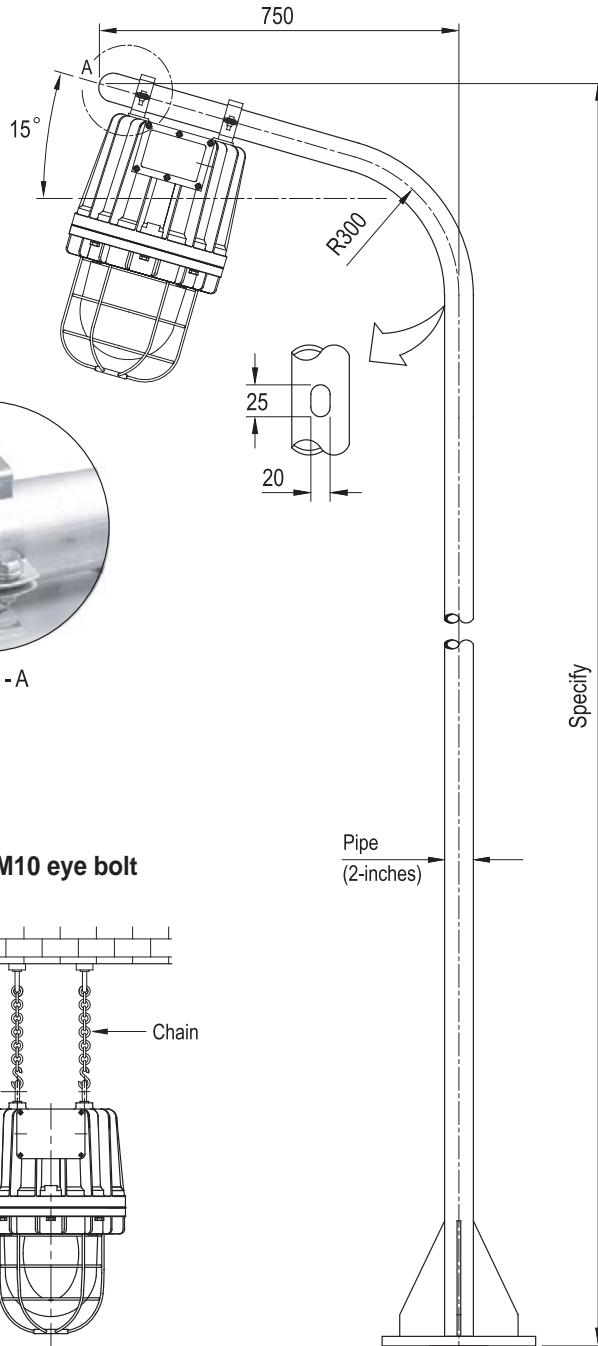
Flameproof/ Increased Safety and Dust protection by enclosure  
Zone 1 & 2 – 21 & 22

## Installation Information

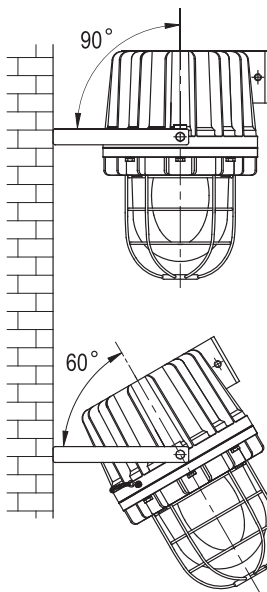
### Ceiling mount



### Pole mount

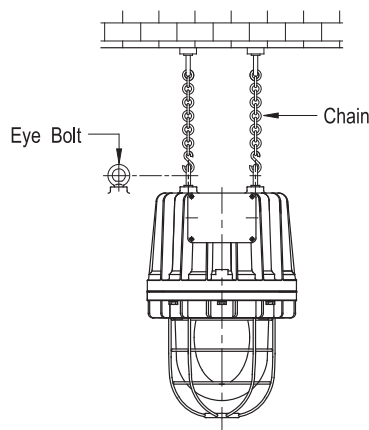


### Bracket mount (or wall mount)

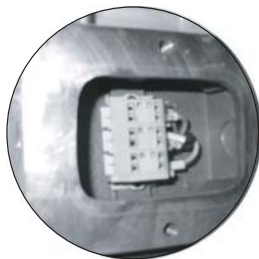


Detail - A

### Suspension 2x M10 eye bolt



### Connection



Terminal block is provided for 2P+E,  
4mm<sup>2</sup> incoming cable within connection box.

