

Lighting: Incandescent and Compact Fluorescent Lighting Fixture, DLF Series

Flameproof/ Increased Safety and Dust protection by enclosure

Zone 1 & 2 – 21 & 22

Specification

- Body material : Marine grade copper-free aluminium alloy with polyester powder coated, RAL 7032 (Grey)
- Glass globe : Borosilicate glass
- Sealing gasket : Silicone
- Reflector : Anodized aluminium
- Basket guard : Stainless steel, SUS 304
- Bracket : Hot-dip galvanized steel

Option

- Body : Offshore painting (Acrylic polyurethane coating)
- Basket guard : Stainless steel, SUS 316
- Bracket : Stainless steel, SUS 316
- Bolts : Stainless steel, SUS 316

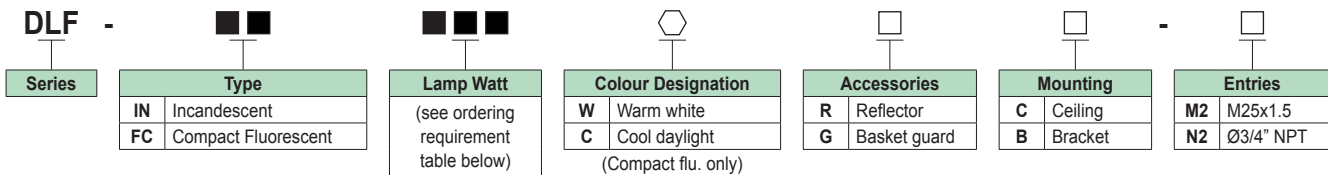


Technical Data

Hazardous Area	Gas	Dust
Zones	1 & 2	21 & 22
Equipment Group/Category	Ex II 2G	Ex II 2D
Symbol of Protection	Ex de IIB T4, T5 or T6	Ex tD A21 IP66 T** °C
Certificate	PTB 08 ATEX 1096 X	
Conformity to standards	EN 60079-0:2006, EN 60079-1:2007, EN 60079-7:2007, EN 61241-0:2006, EN 61241-0:2004	
Ambient Temperature	-20°C to +55°C	
Index of Protection	IP66	
Entries	2- M25x1.5 or 2- Ø3/4" NPT (1-stopping plug)	
Mounting	Ceiling or Bracket mounting	
Connection	L, N and E ; for 1-4mm. ² cable (spring type terminal) (Through wiring system with an extra terminal block for cable connection at both ends.)	
Rated Voltage	220V.ac ±5% 50Hz.	

** See temperature class on catalogue number table.

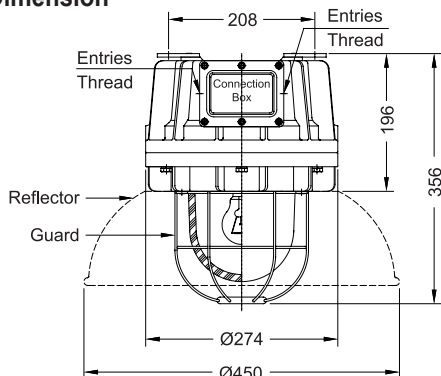
Catalogue Number Logic



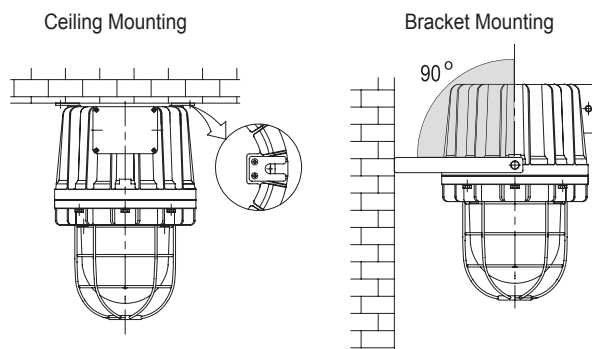
Ordering Requirements

Cat. No.	Lamp Watt	Voltage	Lamp Model	Temp. Class (for zone 1 & 2)		Max. Surface Temp.* (for zone 21 & 22)		Entries		Approx. Weight (kgs.)
				Ta 40°C	Ta 55°C	Ta 40°C	Ta 55°C	NPT	Metric	
Incandescent Lamp										
DLF-IN60 □ - □	60W.	220V. ac 50Hz.	"Philips" GLS Clear	T6	T5	T80°C	T90°C	Ø3/4"	M25x1.5	13.0
DLF-IN100 □ - □	100W.			T5	T4	T95°C	T110°C			
DLF-IN150 □ - □	150W.		"Super Lamp"	T4	T4	T110°C	T125°C	Ø3/4"	M25x1.5	13.0
DLF-IN200 □ - □	200W.	T4		T4	T120°C	T135°C				
Compact Fluorescent Lamp										
DLF-FC10 ◊ □ - □	10W.	220V. ac 50Hz.	"Philips" PL-C (with Ballast)	T6	T6	T65°C	T80°C	Ø3/4"	M25x1.5	13.0
DLF-FC13 ◊ □ - □	13W.									
DLF-FC18 ◊ □ - □	18W.									

Dimension



Mounting



Remark * : The maximum surface temperatures are specified for dust free condition. The dust layer which may cover around the lighting fixture will cause to higher surface temperature.