

# Lighting: Incan., Compact Flu. and LED Bulb Lighting Fixture and Photocell Switch (Photo Electric), DLF1-IN, DLF1-FC, DLF1-LED and DLF1-PH Series

Flameproof/ Increased Safety and Dust protection by enclosure

Zone 1 & 2 – 21 & 22



## Specification

Body material : Marine grade copper-free aluminium alloy with polyester powder coated, RAL 7032 (grey)  
 Globe : Borosilicate glass  
 Guard, bolts : Stainless steel, SUS 304  
 Seal gasket : Silicone  
 Bracket : Hot-dip galvanized steel

## Option

Body : Offshore painting (Acrylic polyurethane coating)  
 Guard, Bolts : Stainless steel, SUS 316  
 Bracket : Stainless steel, SUS 316



## Technical Data

<b>Hazardous Area</b>	<b>Gas</b>	<b>Dust</b>
<b>Zones</b>	1 & 2	21 & 22
<b>Equipment Group/Category</b>	Ex II 2G	Ex II 2D
<b>Symbol of Protection</b>	Ex db eb IIC T** Gb	Ex tb IIIC T**°C Db IP66
<b>Certificate</b>	TÜV CY 18 ATEX 0206011 X	
<b>Conformity to standards</b>	EN 60079-0:2012+A11:2013, EN 60079-1:2014, EN 60079-7:2015, EN 60079-31:2014	
<b>Ambient Temperature</b>	-20°C to +55°C	
<b>Index of Protection</b>	IP66	
<b>Entries</b>	2- M25x1.5 or 2- Ø3/4" NPT (1-stopping plug)	
<b>Mounting</b>	Ceiling or Bracket mounting (standard) (Optional mounting ; 2x M10 eye bolts, clamps for pipe)	
<b>Connection</b>	L, N and E ; for 1-4mm. <sup>2</sup> cable (Through wiring system with an extra terminal block for cable connection at both ends.)	
<b>Rated Voltage</b>	220/ 230/ 240V.ac ±5% 50/60Hz.	

\*\* See temperature class on catalogue number table.

## Catalogue Number Logic

<b>DLF1</b>	■ ■ ■ ■	-	■ ■ ■ ■	■ ■ ■ ■	□	□	-	□	
<b>Series</b>	<b>Type</b>		<b>Lamp Watt</b>	<b>Voltage</b>		<b>Accessories</b>		<b>Mounting</b>	<b>Entries</b>
	IN	Incandescent	(see ordering requirement table below)	22	220V.ac 50Hz.	R	Reflector	C	M2
	FC	Compact Fluorescent		23	230V.ac 50Hz.	G	Basket guard	B	N2
	LED	Light-emitting diode		LED					
				1D	12V.dc				
				2D	24V.dc				
				3D	120V.dc				
				11	110V.ac				
				24	220-240V.ac				

## Ordering Requirements

Cat. No.	Lamp Watt	Voltage	Lamp Model (Lamp/ Ballast/ Ignitor)	Temp. Class (for zone 1 & 2)		Max. Surface Temp.* (for zone 21 & 22)		Wiring Diagram	Approx. Weight (kgs.)
				Ta 40°C	Ta 55°C	Ta 40°C	Ta 55°C		
<b>Incandescent Lamp</b>									
DLF1-IN-06022 □ - □	60W.	220V.ac 50Hz.	"Philips" GLS Clear	T6	T5	T80°C	T90°C	Dia-A	8.5
DLF1-IN-10022 □ - □	100W.			T5	T4	T95°C	T110°C		
DLF1-IN-15022 □ - □	150W.		"Super Lamp"	T4	T4	T110°C	T125°C		
DLF1-IN-20022 □ - □	200W.			T4	T4	T120°C	T135°C		
<b>Compact Fluorescent Lamp</b>									
DLF1-FC-1022 □ - □	10W.	220V.ac 50Hz.	"Philips" PL-C (with Ballast)	T6	T6	T65°C	T80°C	Dia-B	8.7
DLF1-FC-1322 □ - □	13W.								
DLF1-FC-1822 □ - □	18W.								
<b>LED Bulb</b>									
DLF1-LED-06 ■ ■ ■ □ - □	6W.	specify voltage (■ ■ ■)	-	T6	T5	T85°C	T100°C	Dia-A	8.5
DLF1-LED-07 ■ ■ ■ □ - □	7W.								
DLF1-LED-09 ■ ■ ■ □ - □	9W.								
DLF1-LED-10 ■ ■ ■ □ - □	10W.								

Diagram-A

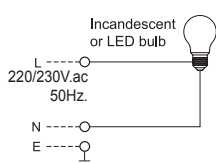
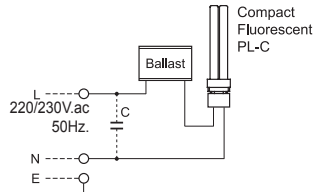


Diagram-B



Remark \* : The maximum surface temperatures are specified for dust free condition. The dust layer which may cover around the lighting fixture will cause to higher surface temperature.

# Lighting: Incan., Compact Flu. and LED Bulb Lighting Fixture and Photocell Switch (Photo Electric), DLF1-IN, DLF1-FC, DLF1-LED and DLF1-PH Series

Flameproof/ Increased Safety and Dust protection by enclosure

Zone 1 & 2 – 21 & 22

## Catalogue Number Logic

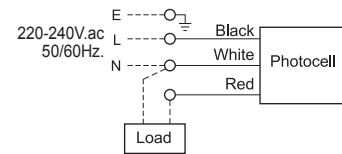
Photocell Switch (Photo Electric)

<b>DLF1</b> -	<b>PH</b> -	<b>■ ■</b>	<b>24</b>	<b>□</b>	-	<b>□</b>
<b>Series</b>	<b>Type</b>	<b>Ampere</b>	<b>Voltage</b>	<b>Mounting</b>		<b>Entries</b>
	PH Photocell	06 6A. 10 10A. 15 15A.	220-240V.ac 50/60Hz.	C Ceiling B Bracket		M2 M25x1.5 N2 Ø3/4" NPT

## Ordering Requirements

Cat. No.	Amp.	Voltage	Temp. Class (for zone 1 & 2)		Max. Surface Temp.* (for zone 21 & 22)		Approx. Weight (kgs.)
			Ta 40°C	Ta 55°C	Ta 40°C	Ta 55°C	
DLF1-PH-0624 □ - □	6A.	220-240V.ac	T6	T6	T80°C	T80°C	8.5
DLF1-PH-1024 □ - □	10A.	50/60Hz.					
DLF1-PH-1524 □ - □	15A.						

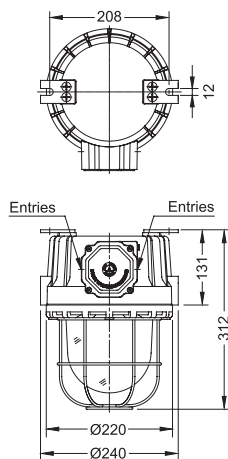
## Wiring Diagram



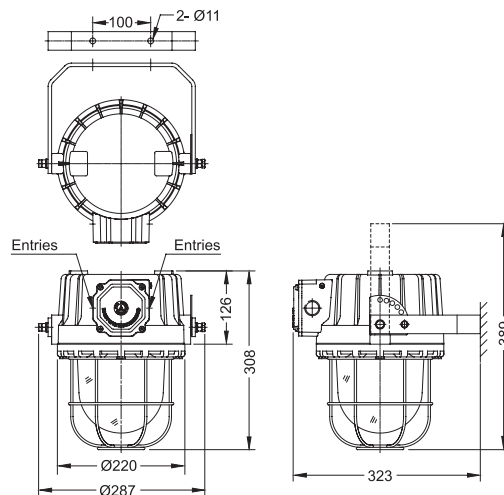
Standard lighting: 31.5-125 lux

## Dimension

Ceiling mount



Bracket mount



Remark \* : The maximum surface temperatures are specified for dust free condition. The dust layer which may cover around the lighting fixture will cause to higher surface temperature.