

Enclosure: Empty Enclosure (Threaded Cover), DGR2 Series

Flameproof and Dust protection by enclosure

Zone 1 & 2 – 21 & 22

Application

The DGR2 enclosures are designed for installation of electrical or control devices for used in zone 1, 2 and zone 21, 22 hazardous areas. They are 2-types of cover; one is a blank cover and another one is a cover with glass window.

Specification

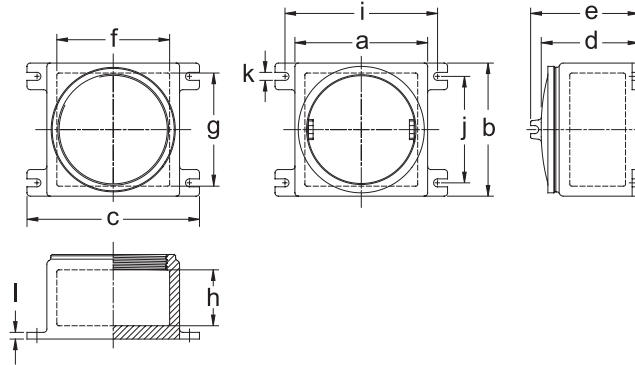
- Body, cover : Marine grade copper-free aluminium alloy with polyester powder coated, RAL 7032 (Grey)
- Lens : Heat and impact resistant glass
- Sealing gasket : Silicone

Technical Data

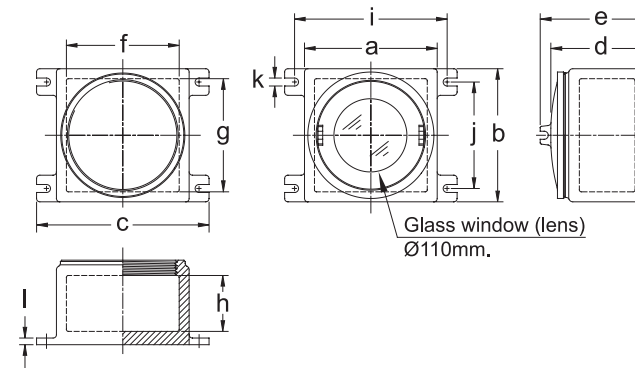
Hazardous Area	Gas	Dust
Zones	1 & 2	21 & 22
Equipment Group/Category	II 2G	II 2D
Symbol of Protection	Ex d IIB T6/T5 Gb	Ex tb IIIC T80°C/ T100°C Db IP66
Conformity to Standards	EN IEC 60079-0:2018, EN 60079-1:2014, EN 60079-31:2014	
Ambient Temperature	-20°C to +55°C	
Index of Protection	IP66	
Entries	NPT or Metric threads	
Mounting	Wall mounting	

Ordering Requirements and Dimension

Empty box with blank cover, Cat. No. DGR2-20B



Empty box with glass window (110mm.), Cat. No. DGR2-20L



Cat. No.	Maximum entries thread size, NPT (Metric)			Dimension in mm.												Volume (dm ³)	Approx. Weight (kgs.)
	Ø1/2" (M20x1.5)	Ø3/4" (M25x1.5)	Ø1" (M32x1.5)	External				Internal			Mounting						
				a	b	c	d	e	f	g	h	i	j	k	l		
DGR2-20B	2	2	1	200	200	268	156	171	170	170	91.5	238	133	12	13	3.6	6.27
DGR2-20L	2	2	1	200	200	268	151	172	170	170	91.5	238	133	12	13	3.6	6.79

Remark : In case the enclosures are supplied completely with control units or devices, they will be delivered with conformity certificate and can be used without further testing.