

# Lighting: Fluorescent & LED Lighting Fixture, DFP-C Series (Capsule end cap)

Flameproof and Dust protection by enclosure

Zone 1 & 2 – 21 & 22



## Application

The DFP series can be used all over the world and are suited for lighting applications in hazardous areas, e.g. onshore, offshore platforms or refineries. The different light families allow their optimum use in various environments.

The DFP series consist of a glass tube with two end caps. They are for installation of both single and double T5 and T5 bi-pin fluorescent or LED tube. The end cap and threaded capsule housing for ballast and terminals connection.

## Specification

- Body material : Marine grade copper-free aluminium alloy with polyester powder coated, RAL 7032 (grey)
- Glass tube : Borosilicate glass (4J impact)
- Reflector : Sheet steel with polyester powder coated, RAL 9016 (white)
- Protective guard : Stainless steel, SUS 304
- Sealing gasket : Silicone

## Electrical for Emergency unit

- Operation : Maintained mode
- Battery : NiMH 4Ah, 4.8V  
(1.2V 4-cells in a pack)
- Recharge time : 24-hours from fully discharge
- Emergency duration : 120Min. (2-Hours)

## Option

- Body : Offshore painting  
(Acrylic polyurethane coating)
- Protective guard : Stainless steel, SUS 316
- Screws : Stainless steel, SUS 316

## Technical Data

<b>Hazardous Area</b>	<b>Gas</b>	<b>Dust</b>
<b>Zones</b>	1 & 2	21 & 22
<b>Equipment Group/Category</b>	Ex II 2G	Ex II 2D
<b>Symbol of Protection</b>	Ex d IIB T6 Gb	Ex tb IIIC T85°C Db IP66
<b>Certificate</b>	Sira 12 ATEX 1311 X IECEx SIR 12.0140X	
<b>Conformity to Standards</b>	EN 60079-0:2012, EN 60079-1:2007, EN 60079-31:2009 IEC 60079-0:2011, IEC 60079-1:2007, IEC 60079-31:2008	
<b>Ambient Temperature</b>	-20°C to +50°C	
<b>Index of Protection</b>	IP66	
<b>Entries</b>	2-holes standard (M20x1.5 or M25x1.5 or Ø1/2" NPT or Ø3/4" NPT) (1-stopping plug)	
<b>Mounting</b>	Ceiling (standard), Pendant or Bracket	
<b>Connection</b>	L, N and E ; for 1-4mm. <sup>2</sup> cable (Through wiring system with an extra terminal block for cable connection at both ends.)	
<b>Rated Voltage</b>	110-240V.ac 50/60Hz. (P.F. ≥ 0.98)	



A

B

C

D

E

F

G

H

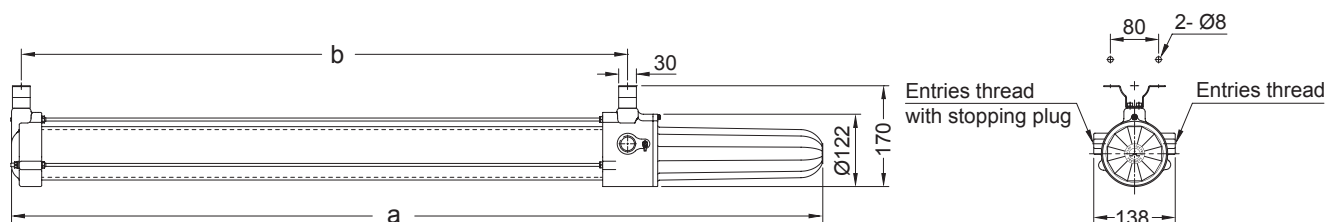
### Catalogue Number Logic

DFP - ■■■■ ■■■■ □ - C D - □□ □□ □□							
<b>Series</b>	<b>Lamp Watt</b> (see ordering requirement table below)	<b>Type</b>	<b>Accessories</b>	<b>Body</b>	<b>LED Driver</b>	<b>Entries</b>	<b>Mounting</b>
		L4 Fluorescent lamp LED LED tube	G Protective guard R External reflector E Emergency power unit	C Capsule end cap	D with driver (25W LED tube)	M1 M20x1.5 M2 M25x1.5 N1 Ø1/2" NPT N2 Ø3/4" NPT	C Ceiling (standard) C1 Ceiling (for pipe), Fixed C2 Ceiling (for pipe), Swing P1 Pendant (for chain) P2 Pendant (for pipe) B Bracket

### Ordering Requirements and Dimension

Cat. No.	Lamp Watt	Voltage	Ballast	Temp. Class (for zone 1 & 2)		Max. Surface Temp.* (for zone 21 & 22)		Volume (dm <sup>3</sup> )	Dimension in mm.		Approx. Weight (kgs.)	
				Ta 40°C	Ta 50°C	Ta 40°C	Ta 50°C		a	b		
<b>T8 Fluorescent Lamp</b>												
DFP-118L4 □ - □□	1x 18W.	220-240V.ac 50/60Hz.	Electronic	T6	T6	T85°C	T85°C	3.95	1005	645	6.1	
DFP-218L4 □ - □□	2x 18W.								1618	1258	9.1	
DFP-136L4 □ - □□	1x 36W.							7.02	1618	1258	9.1	
DFP-236L4 □ - □□	2x 36W.											
<b>T5 Fluorescent Lamp</b>												
DFP-114L4 □ - □□	1x 14W.	220-240V.ac 50/60Hz.	Electronic	T6	T6	T85°C	T85°C	3.95	1005	645	6.1	
DFP-214L4 □ - □□	2x 14W.								1618	1258	9.1	
DFP-128L4 □ - □□	1x 28W.							7.02	1618	1258	9.1	
DFP-228L4 □ - □□	2x 28W.											
<b>LED Tube</b>												
DFP-109LED □ - C - □□	1x 9W.	110-240V.ac 50/60Hz.	-	T6	T6	T85°C	T85°C	3.95	1005	645	6.1	
DFP-209LED □ - C - □□	2x 9W.								7.02	1618	1258	9.1
DFP-111LED □ - C - □□	1x 11W.											
DFP-211LED □ - C - □□	2x 11W.											
DFP-118LED □ - C - □□	1x 18W.											
DFP-218LED □ - C - □□	2x 18W.											
DFP-120LED □ - C - □□	1x 20W.											
DFP-220LED □ - C - □□	2x 20W.											
DFP-121LED □ - C - □□	1x 21W.											
DFP-221LED □ - C - □□	2x 21W.											
DFP-122LED □ - C - □□	1x 22W.											
DFP-222LED □ - C - □□	2x 22W.											
DFP-125LED □ - C - □□	1x 25W.	110-240V.ac 50/60Hz.	LED Driver	T6	T6	T85°C	T85°C	7.02	1618	1258	9.1	
DFP-225LED □ - C - □□	2x 25W.											

Lighting source; cool white (6500K) are standard and/or warm white (3000K), please specify.



**Remark:**

\* The maximum surface temperatures are specified for dust free condition. The dust layer which may cover around the lighting fixture will cause to higher surface temperature.

# Lighting: Fluorescent & LED Lighting Fixture, DFP-C Series (Capsule end cap)

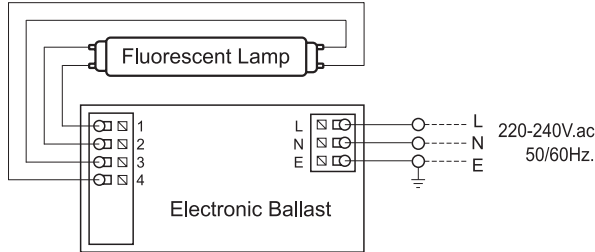
Flameproof and Dust protection by enclosure

Zone 1 & 2 – 21 & 22

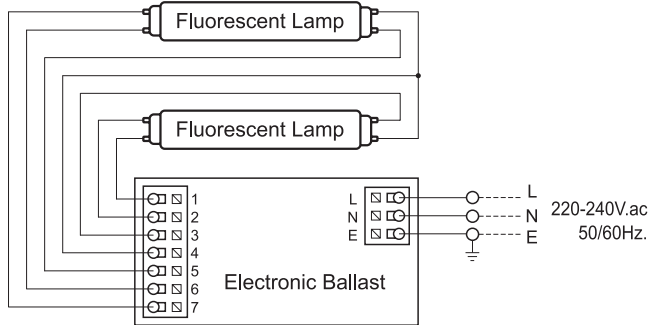


## Wiring Diagram

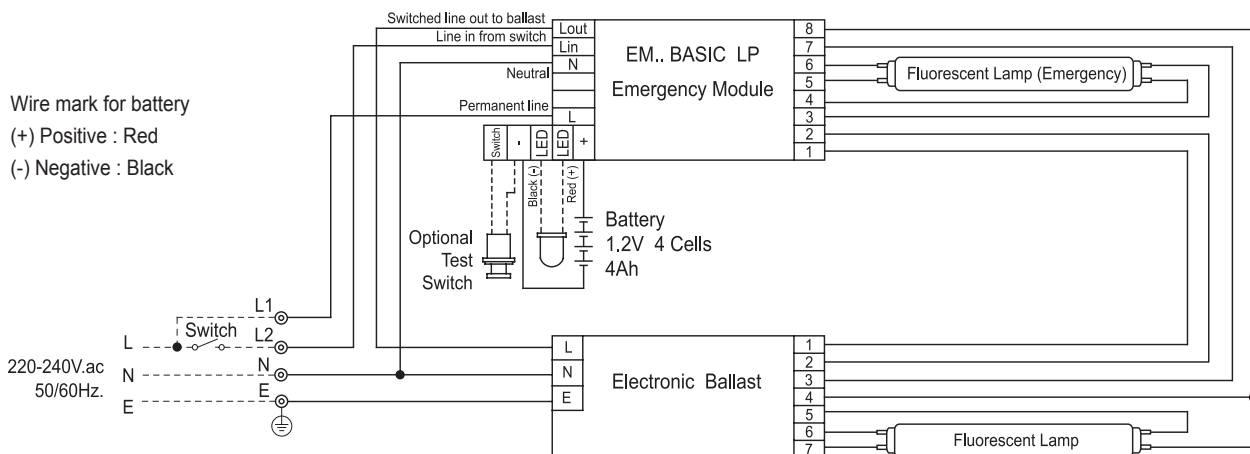
Electronic ballast for fluorescent lamp;  
1x 14W., 18W., 28W., 32W. and 36W.



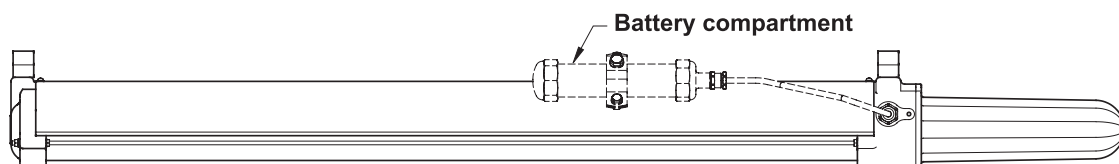
Electronic ballast for fluorescent lamp;  
2x 14W., 18W., 28W., 32W. and 36W.



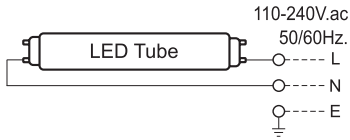
Emergency unit for fluorescent lamp; 2x 36W.



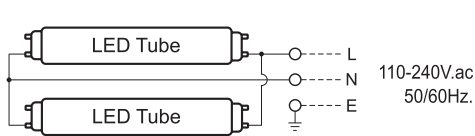
When the fluorescent lighting fixtures are utilised with battery back-up, the threaded capsule housing contains an emergency control unit.



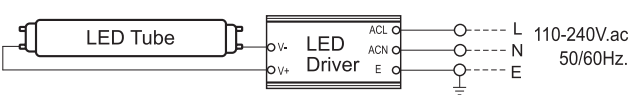
LED tube without driver  
1x Lamp



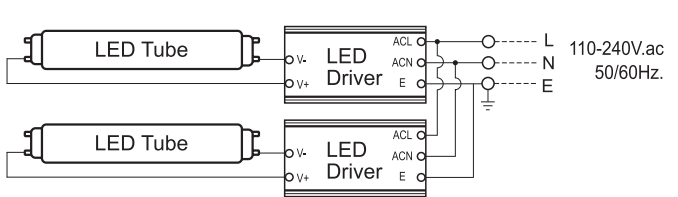
LED tube without driver  
2x Lamp



LED tube with driver  
1x 25W

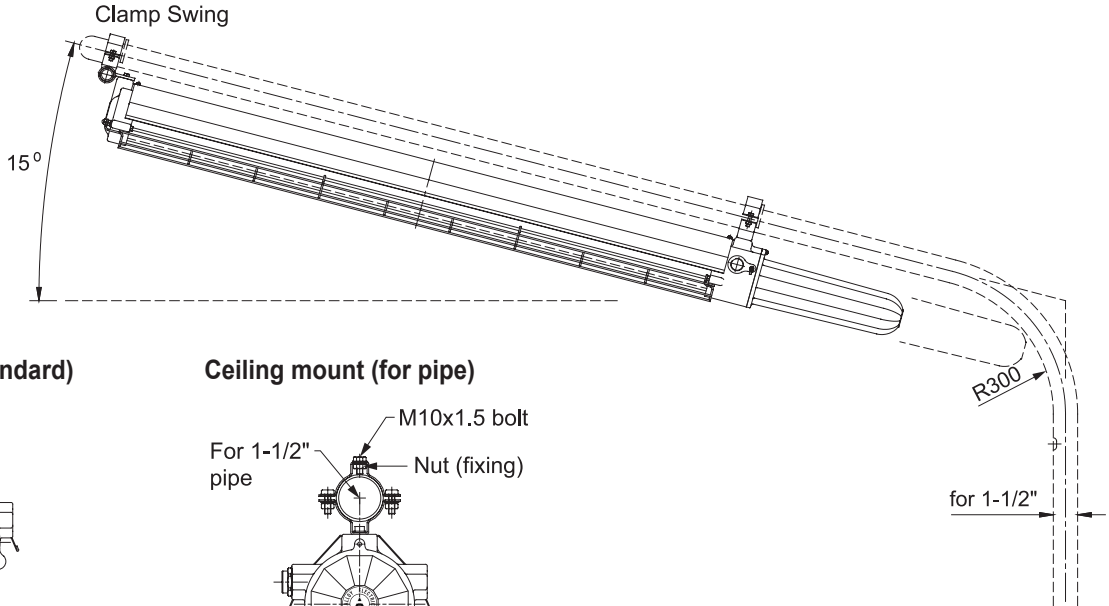


LED tube with driver  
1x 25W

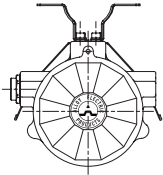


## Installation Information

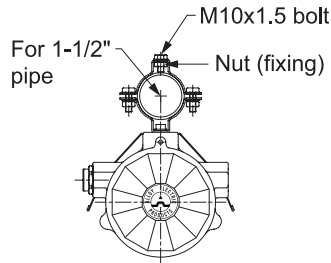
### Pole mount



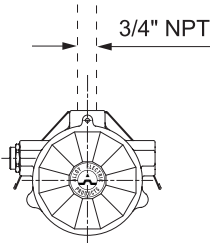
### Ceiling mount (standard)



### Ceiling mount (for pipe)



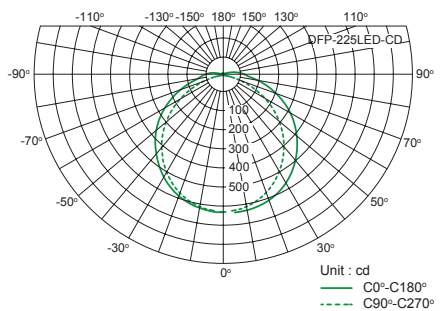
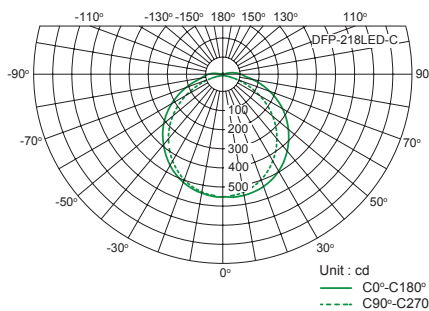
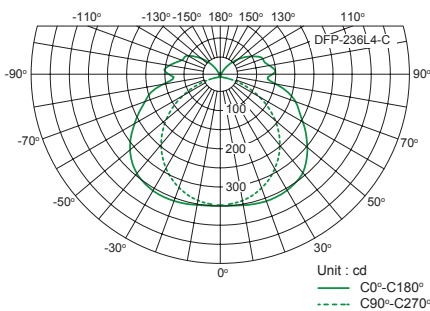
### Pendant mount (for pipe)



### Pendant mount (for chain)

### Bracket mount (or wall mount)

## Luminous Intensity Distribution Curve



Complete photometrics, please contact us.