

# Lighting: LED Floodlight (Round Shape), DFDR Series

Flameproof/ Increased Safety and Dust protection by enclosure

Zone 1 & 2 – 21 & 22



## Application

The DFDR series are suitable for Zone 1 & 2 Ex-gas and Zone 21 & 22 Ex-dust hazardous area, such as chemical, petrochemical, platforms, shipyard, electric power, loading docks, wastewater treatment etc.

## Specification

- Body material : Marine grade copper-free aluminium alloy with polyester powder coated, RAL 7032 (grey)
- Lens : Heat and high impact resistant clear glass (4J impact)
- Bolts : Stainless steel, SUS 304
- Bracket : Hot-dip galvanized steel
- Sealing gasket : Silicone

## LED System

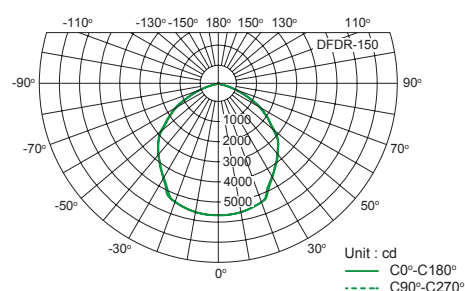
- Luminous efficient : 110 lm/W
- Colour temperature : 5700 K (cool white)
- Color Rendering Index (Ra) : >70
- Chip : CREE
- Beam angle : 65°, 100°
- Life time : >50,000 Hrs. (70% lumen maintenance)

## Option (specify)

- Body : Offshore painting (Acrylic polyurethane coating)
- Bolts : Stainless steel, SUS 316
- Bracket : Stainless steel, SUS 316
- Chip : Lumileds, Bridgelux, Nichia
- Colour temperature : 3000K, 3500K, 4000K, 4500K, 5000K, 6500K or others
- Color Rendering Index (Ra) : >80
- Others beam angle of lens



## Luminous Intensity Distribution Curve

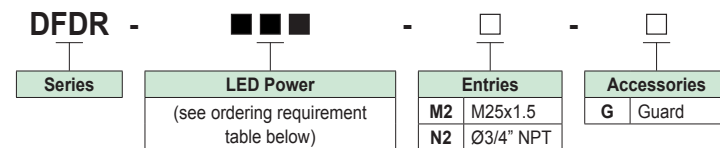


Complete photometrics, please contact us.

## Technical Data

<b>Hazardous Area</b>	<b>Gas</b>	<b>Dust</b>
<b>Zones</b>	1 & 2	21 & 22
<b>Equipment Group/Category</b>	Ex II 2G	Ex II 2D
<b>Symbol of Protection</b>	Ex db e IIB T6/T5 Gb	Ex tb IIIC T85°C/ T95°C Db IP66
<b>Certificate</b>	LCIE 17 ATEX 3031 X IECEx LCIE 17.0040X	
<b>Conformity to standards</b>	EN 60079-0:2012+A11:2013, EN 60079-1:2014, EN 60079-7:2007, EN 60079-31:2014 IEC 60079-0:2011, IEC 60079-1:2014-06, IEC 60079-7:2006-07, IEC 60079-31:2013	
<b>Ambient Temperature</b>	-20°C to +50°C	
<b>Index of Protection</b>	IP66	
<b>Entries</b>	1-hole standard (M25x1.5 or Ø3/4" NPT), 2-holes are optional	
<b>Mounting</b>	Bracket mounting	
<b>Connection</b>	L, N and E ; for 1-4mm. <sup>2</sup> cable (Through wiring system with an extra terminal block for cable connection at both ends.)	
<b>Rated Voltage</b>	110-240V.ac 50/60Hz., THDi < 20%, P.F. ≥ 0.95	

## Catalogue Number Logic

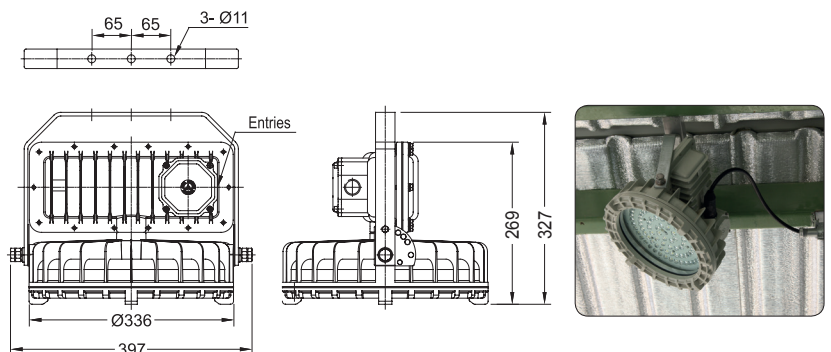


## Ordering Requirements

Cat. No.	LED Power	Voltage	Temp. Class (for zone 1 & 2)		Max. Surface Temp.* (for zone 21 & 22)		Approx. Weight (kgs.)
			Ta 40°C	Ta 50°C	Ta 40°C	Ta 50°C	
DFDR-100-□	100W.	110-240V.ac	T6	T5	T85°C	T95°C	14.5
DFDR-120-□	120W.	50/60Hz.					
DFDR-150-□	150W.						

Remark \* : The maximum surface temperatures are specified for dust free condition. The dust layer which may cover around the lighting fixture will cause higher surface temperature.

## Dimension



## Diagram

LED unit on PCB

