

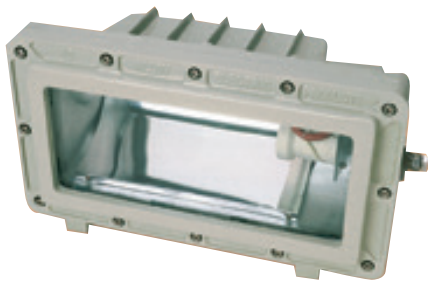
Application

DFD series has been designed for zone 1 & 2 and zone 21, 22

Efficient floodlights for large areas such as industrial complexes and ship loading areas and/or hazardous areas.

Specification

- Body material : Marine grade copper-free aluminium alloy with polyester powder coated, RAL 7032 (grey)
- Lens : Heat and impact resistant clear glass
- Bolts : Stainless steel, SUS 304
- Bracket : Hot-dip galvanized steel
- Internal reflector : Anodized aluminium
- Sealing gasket : Silicone



Technical Data

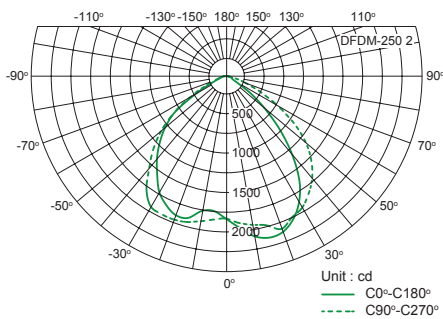
Hazardous Area	Gas	Dust
Zones	1 & 2	21 & 22
Equipment Group/Category	II 2G	II 2D
Symbol of Protection	Ex db eb IIB T** Gb	Ex tb IIIC T** °C Db IP66
Conformity to standards	EN IEC 60079-0:2018, EN 60079-1:2014, EN 60079-7:2016, EN 60079-31:2014, EN 60598-1:2015	
Ambient Temperature	-20°C to +55°C	
Index of Protection	IP66	
Entries	1-hole standard (M25x1.5 or Ø3/4" NPT), 2-holes are optional	
Mounting	Bracket mounting	
Connection	L, N and E ; for 1-4mm. ² cable	
Rated Voltage	220, 230V.ac ±5% 50Hz.	

** See temperature class on catalogue number table.

Catalogue Number Logic

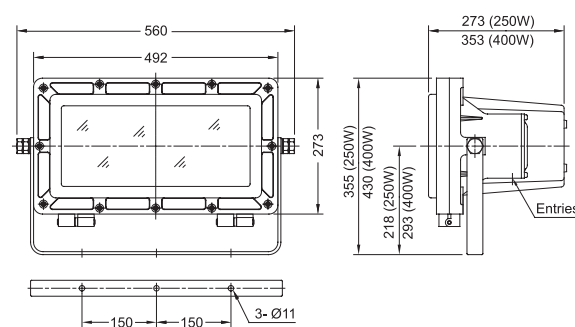
DFD ■	- ■ ■ ■	■	-	□
Series	Lamp Watt	Voltage	Entries	
DFDM Mercury Vapor	(see ordering requirement table below)	2 220V.ac	M1 M20x1.5	N1 Ø1/2" NPT
DFDS High Pressure Sodium		3 230V.ac	M2 M25x1.5	N2 Ø3/4" NPT
DFDH Metal Halide				

Luminous Intensity Distribution Curve

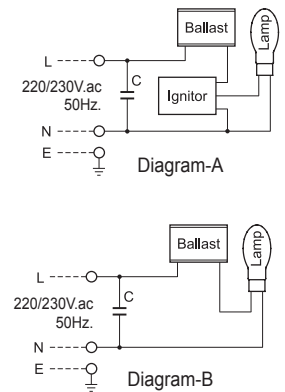


Complete photometrics, please contact us.

Dimension



Wiring Diagram



Ordering Requirements

Cat. No.	Lamp Watt	Voltage	Lamp/ Ballast/ Ignitor	Temp. Class (for zone 1 & 2)		Max. Surface Temp.* (for zone 21 & 22)		Wiring Diagram	Approx. Weight (kgs.)
				Ta 40°C	Ta 55°C	Ta 40°C	Ta 55°C		
Mercury Vapor Lamp									
DFDM-2502 - □	250W.	220V.ac 50Hz.	HPL-N 250W / Q250.513 / -	T4	T3	T130°C	T160°C	Dia-B	24.5
DFDM-4002 - □	400W.		HPL-N 400W / Q400.561 / -	T3	T3	T165°C	T180°C		27.2
DFDM-2503 - □	250W.	230V.ac 50Hz.	HPL-N 250W / Q250.528 / -	T4	T3	T130°C	T165°C	Dia-B	24.5
High Pressure Sodium Lamp									
DFDS-2502 - □	250W.	220V.ac 50Hz.	SON-T 250W / NaHJ250.160 / Z400M	T4	T3	T130°C	T160°C	Dia-A	24.5
DFDS-4002 - □	400W.		SON-T 400W / NaHJ400.162 / Z400M	T3	T3	T160°C	T180°C		27.2
DFDS-4003 - □	400W.	230V.ac 50Hz.	SON-T 400W / NaHJ400.006 / Z400M	T3	T3	T160°C	T180°C	Dia-A	27.2
Metal Halide Lamp									
DFDH-2502 - □	250W.	220V.ac 50Hz.	HPI-T PLUS 250W / Q250.513 / Z400M	T4	T3	T135°C	T175°C	Dia-A	24.5
DFDH-4002 - □	400W.		HPI-T PLUS-400W / Q400.561 / Z400M	T3	T3	T165°C	T180°C	Dia-A	27.2
DFDH-2503 - □	250W.	230V.ac 50Hz.	HPI-T PLUS-250W / Q250.528 / Z400M	T4	T3	T135°C	T160°C	Dia-A	24.5

Remark * : The maximum surface temperatures are specified for dust free condition. The dust layer which may cover around the lighting fixture will cause to higher surface temperature.