

Lighting: LED Floodlight, DFDF Series

Flameproof/ Increased Safety and Dust protection by enclosure

Zone 1 & 2 – 21 & 22



Specification

- Body material : Marine grade copper-free aluminium alloy with polyester powder coated, RAL 7032 (grey)
- Lens : Heat and impact resistant clear glass (4J impact)
- Bolts : Stainless steel, SUS 304
- Bracket : Hot-dip galvanized steel

LED System

- Luminous efficient : 100 lm/W
- Colour temperature : 5700 K (cool white)
- Color Rendering Index (Ra) : >70
- Chip : CREE
- Beam angle : 60°, 100°

Option (specify)

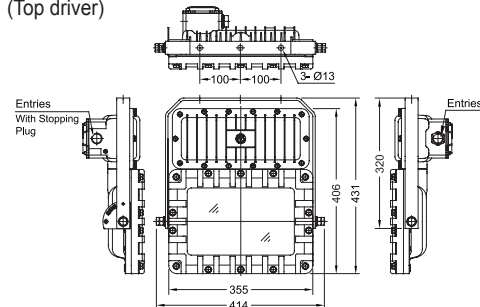
- Body : Offshore painting (Acrylic polyurethane coating)
- Bolts : Stainless steel, SUS 316
- Bracket : Stainless steel, SUS 316
- Chip : Lumileds, Bridgelux, Nichia
- Colour temperature : 3000K, 3500K, 4000K, 4500K, 5000K, 6500K or others
- Color Rendering Index (Ra) : >80
- Others beam angle of lens



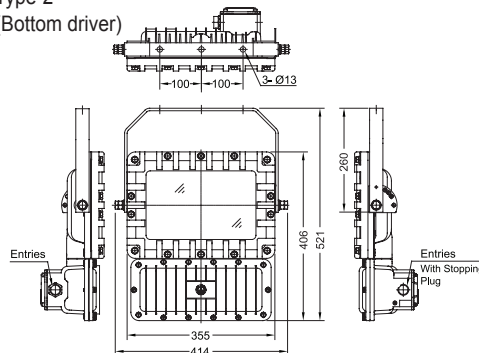
Dimension

DFDF-30 to DFDF-80

Type-1 (Top driver)

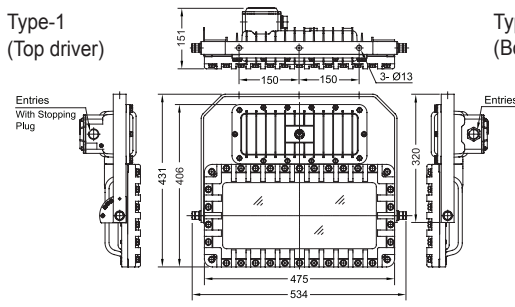


Type-2 (Bottom driver)

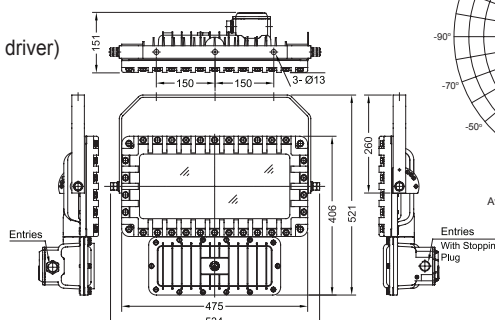


DFDF-100 to DFDF-180

Type-1 (Top driver)



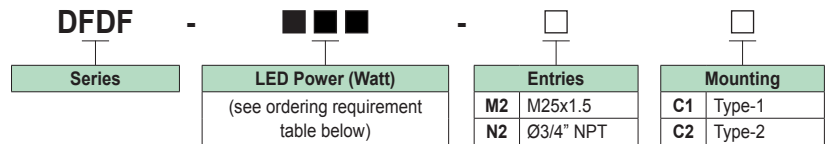
Type-2 (Bottom driver)



Technical Data

| | | |
|---------------------------------|--|--------------------|
| Hazardous Area Zones | Gas | Dust |
| Equipment Group/Category | 1 & 2 | 21 & 22 |
| Symbol of Protection | Ex II 2G | Ex II 2D |
| Certificate | TÜV CY 17 ATEX 0205814 X | |
| Conformity to standards | EN 60079-0:2012+A11:2013, EN 60079-1:2014, EN 60079-7:2015, EN 60079-31:2014, EN 60598-1:2015 | |
| Ambient Temperature | 0°C to +55°C | |
| Index of Protection | IP66 | |
| Entries | 2- M25x1.5 or 2- Ø3/4" NPT (1- stopping plug) | |
| Mounting | Bracket mounting | |
| Connection | L, N and E ; for 1-4mm. ² cable (Through wiring system with an extra terminal block for cable connection at both ends.) | |
| Rated Voltage | 110-240V.ac 50/60Hz., THDi < 20%, P.F. ≥ 0.95 | |

Catalogue Number Logic

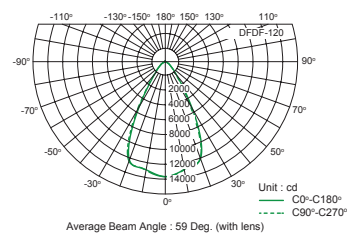


Ordering Requirements

| Cat. No. | LED Power | Voltage | Temp. Class (for zone 1 & 2) | | Max. Surface Temp.* (for zone 21 & 22) | | Approx. Weight (kgs.) |
|--------------|-----------|-------------------------|------------------------------|---------|--|---------|-----------------------|
| | | | Ta 40°C | Ta 55°C | Ta 40°C | Ta 55°C | |
| DFDF-30 - □ | 30W. | 110-240V.ac 50/60Hz. | T6 | T6 | T85°C | T85°C | 17.0 |
| DFDF-40 - □ | 40W. | | | | | | |
| DFDF-50 - □ | 50W. | | | | | | |
| DFDF-60 - □ | 60W. | | | | | | |
| DFDF-70 - □ | 70W. | | | | | | |
| DFDF-80 - □ | 80W. | 110-240V.ac 50/60Hz. | T6 | T6 | T85°C | T85°C | 19.8 |
| DFDF-100 - □ | 100W. | | | | | | |
| DFDF-120 - □ | 120W. | | | | | | |
| DFDF-150 - □ | 150W. | | | | | | |
| DFDF-170 - □ | 170W. | | | | | | |
| DFDF-180 - □ | 180W. | | | | | | |



Luminous Intensity Distribution Curve



Remark * : The maximum surface temperatures are specified for dust free condition. The dust layer which may cover around the lighting fixture will cause to higher surface temperature.