

Lighting: LED Floodlight (Rectangular Shape), DFDD Series

Flameproof/ Increased Safety and Dust protection by enclosure

Zone 1 & 2 – 21 & 22

Application

The DFDD series are suitable for Zone 1 & 2 Ex-gas and Zone 21 & 22 Ex-dust hazardous area, such as heavy industrial, chemical, petrochemical or pharmaceutical facilities, platforms, shipyard, electric power, loading docks, wastewater treatment, paper mill.

Specification

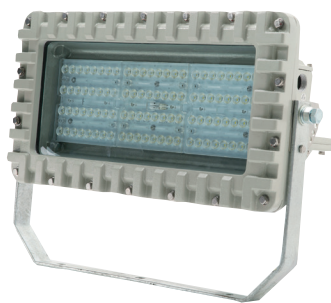
- Body material : Marine grade copper-free aluminium alloy with polyester powder coated, RAL 7032 (grey)
- Lens : Heat and high impact resistant clear glass (4J impact)
- Bolts : Stainless steel, SUS 304
- Bracket : Hot-dip galvanized steel
- Sealing gasket : Silicone

LED System

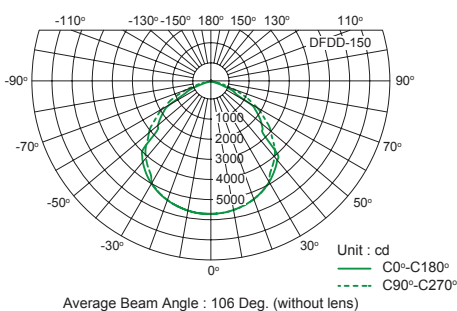
- Luminous efficient : 100 lm/W
- Colour temperature : 5700 K (cool white)
- Color Rendering Index (Ra) : >70
- Chip : CREE
- Beam angle : 60°, 100°

Option (specify)

- Body : Offshore painting (Acrylic polyurethane coating)
- Bolts : Stainless steel, SUS 316
- Bracket : Stainless steel, SUS 316
- Chip : Lumileds, Bridgelux, Nichia
- Colour temperature : 3000K, 3500K, 4000K, 4500K, 5000K, 6500K or others
- Color Rendering Index (Ra) : >80
- Others beam angle of lens



Luminous Intensity Distribution Curve

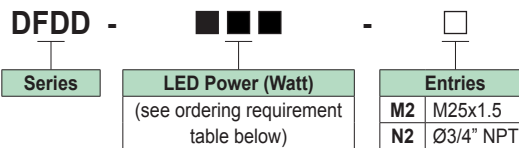


Complete photometrics, please contact us.

Technical Data

Hazardous Area	Gas	Dust
Zones	1 & 2	21 & 22
Equipment Group/Category	II 2G	II 2D
Symbol of Protection	Ex de IIB T6/T5 Gb	Ex tb IIIC T85°C/ T95°C Db IP66
Certificate	LCIE 17 ATEX 3006 X IECEx LCIE 17.0017X	
Conformity to standards	EN 60079-0:2012+A11:2013, EN 60079-1:2007, EN 60079-7:2007, EN 60079-31:2014 IEC 60079-0:2011, IEC 60079-1:2007-04, IEC 60079-7:2006-07, IEC 60079-31:2013	
Ambient Temperature	-20°C to +50°C	
Index of Protection	IP66	
Entries	1-hole standard (M25x1.5 or Ø3/4" NPT), 2-holes are optional	
Mounting	Bracket mounting	
Connection	L, N and E ; for 1-4mm. ² cable (Through wiring system with an extra terminal block for cable connection at both ends.)	
Rated Voltage	110-240V.ac 50/60Hz., THDi < 20%, P.F. ≥ 0.95	

Catalogue Number Logic

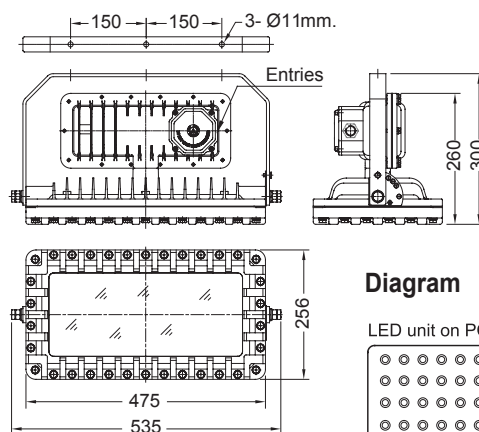


Ordering Requirements

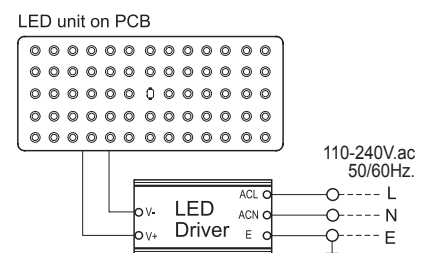
Cat. No.	LED Power	Voltage	Temp. Class (for zone 1 & 2)		Max. Surface Temp.* (for zone 21 & 22)		Approx. Weight (kgs.)
			Ta 40°C	Ta 50°C	Ta 40°C	Ta 50°C	
DFDD-100-□	100W.	110-240V.ac	T6	T5	T85°C	T95°C	16.0
DFDD-120-□	120W.	50/60Hz.					
DFDD-150-□	150W.						

Remark * : The maximum surface temperatures are specified for dust free condition. The dust layer which may cover around the lighting fixture will cause to higher surface temperature.

Dimension



Diagram



Lighting: LED Floodlight (Rectangular Shape), DFDD Series

Flameproof/ Increased Safety and Dust protection by enclosure

Zone 1 & 2 – 21 & 22



Application

The DFDD series are suitable for Zone 1 & 2 Ex-gas and Zone 21 & 22 Ex-dust hazardous area, such as heavy industrial, chemical, petrochemical or pharmaceutical facilities, platforms, shipyard, electric power, loading docks, wastewater treatment, paper mill.

Specification

- Body material : Marine grade copper-free aluminium alloy with polyester powder coated, RAL 7032 (grey)
- Lens : Heat and high impact resistant clear glass (4J impact)
- Bolts : Stainless steel, SUS 304
- Bracket : Hot-dip galvanized steel
- Sealing gasket : Silicone

LED System

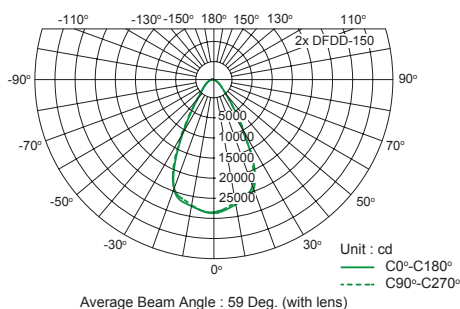
- Luminous efficient : 100 lm/W
- Colour temperature : 5700 K (cool white)
- Color Rendering Index (Ra) : >70
- Chip : CREE
- Beam angle : 60°, 100°

Option (specify)

- Body : Offshore painting (Acrylic polyurethane coating)
- Bolts : Stainless steel, SUS 316
- Bracket : Stainless steel, SUS 316
- Chip : Lumileds, Bridgelux, Nichia
- Colour temperature : 3000K, 3500K, 4000K, 4500K, 5000K, 6500K or others
- Color Rendering Index (Ra) : >80
- Others beam angle of lens



Luminous Intensity Distribution Curve

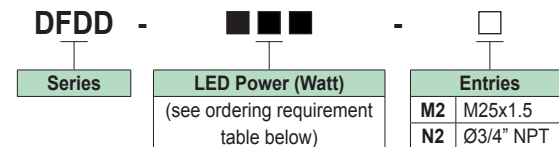


Complete photometrics, please contact us.

Technical Data

Hazardous Area	Gas	Dust
Zones	1 & 2	21 & 22
Equipment Group/Category	II 2G	II 2D
Symbol of Protection	Ex de IIB T6/T5 Gb	Ex tb IIIC T85°C/ T95°C Db IP66
Certificate	LCIE 17 ATEX 3006 X IECEX LCIE 17.0017X	
Conformity to standards	EN 60079-0:2012+A11:2013, EN 60079-1:2007, EN 60079-7:2007, EN 60079-31:2014 IEC 60079-0:2011, IEC 60079-1:2007-04, IEC 60079-7:2006-07, IEC 60079-31:2013	
Ambient Temperature	-20°C to +50°C	
Index of Protection	IP66	
Entries	1-hole standard (M25x1.5 or Ø3/4" NPT), 2-holes are optional	
Mounting	Bracket mounting	
Connection	L, N and E ; for 1-4mm. ² cable (Through wiring system with an extra terminal block for cable connection at both ends.)	
Rated Voltage	110-240V.ac 50/60Hz., THDi < 20%, P.F. ≥ 0.95	

Catalogue Number Logic



Ordering Requirements

Cat. No.	LED Power	Voltage	Temp. Class (for zone 1 & 2)		Max. Surface Temp.* (for zone 21 & 22)		Approx. Weight (kgs.)
			Ta 40°C	Ta 50°C	Ta 40°C	Ta 50°C	
2x DFDD-100-□	200W.	110-240V.ac 50/60Hz.	T6	T5	T85°C	T95°C	35.0
2x DFDD-120-□	240W.						
2x DFDD-150-□	300W.						

Remark * : The maximum surface temperatures are specified for dust free condition. The dust layer which may cover around the lighting fixture will cause to higher surface temperature.

Dimension

