

Application

The DFC flexible couplings are used in a conduit system for zone 1, 2 and zone 21, 22 hazardous areas to

- isolate conduit from vibration or movement of connected equipment.
- accomplish difficult bends in place of rigid conduit.

Specification

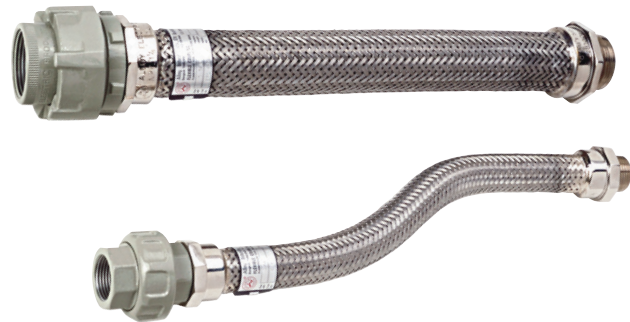
Inner flexible tube : Stainless steel
 Outer wire braid : Stainless steel
 Male threaded fitting : Nickel-plated brass

Option

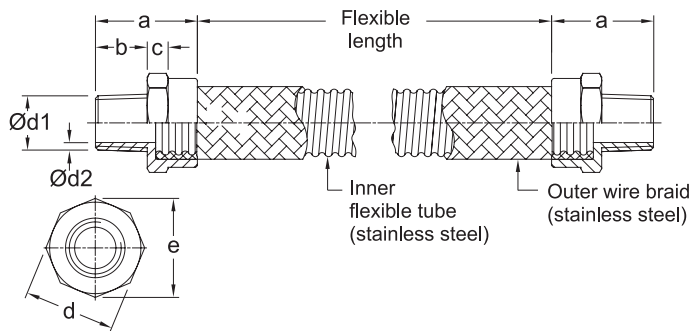
- with union (DUN series)

Technical Data

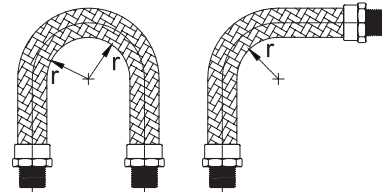
Hazardous Area	Gas	Dust
Zones	1 & 2	21 & 22
Equipment Group/Category	II 2G	II 2D
Symbol of Protection	Ex db IIC Gb	Ex tb IIIC Db IP65
Certificate	TÜV CY 16 ATEX 0205741 U	
Conformity to Standards	EN 60079-0:2012+A11:2013, EN 60079-1:2014, EN 60079-31:2014	
Ambeint Temperature	-20°C to +75°C	
Index of Protection	IP65	



Ordering Requirements and Dimension



Bend radius



Cat. No.				Entries Thread (Male) 'Ød1'	Dimension in mm.					Bend Radius Minimum (r)	
300mm. Flexible length	600mm. Flexible length	900mm. Flexible length	1,200mm. Flexible length		Ød2	a	b	c	d		e
DFC-130	DFC-160	DFC-190	DFC-1120	Ø1/2" NPT	15.0	41.35	19.85	8.0	35.0	38.0	50
DFC-230	DFC-260	DFC-290	DFC-2120	Ø3/4" NPT	20.0	41.65	20.15	8.0	37.0	40.0	50
DFC-330	DFC-360	DFC-390	DFC-3120	Ø1" NPT	26.0	50.0	25.0	8.0	42.0	46.0	80
DFC-430	DFC-460	DFC-490	DFC-4120	Ø1-1/4" NPT	35.0	50.61	25.61	8.0	56.0	61.0	90
DFC-530	DFC-560	DFC-590	DFC-5120	Ø1-1/2" NPT	40.0	51.04	26.04	8.0	60.0	65.0	110
DFC-630	DFC-660	DFC-690	DFC-6120	Ø2" NPT	52.0	51.87	26.87	8.0	75.0	81.0	170
-	DFC-760	DFC-790	DFC-7120	Ø2-1/2" NPT	62.0	85.90	39.90	11.0	107.0	115.0	200
-	DFC-860	DFC-890	DFC-8120	Ø3" NPT	77.0	87.49	41.49	11.0	125.0	135.0	225
-	DFC-960	DFC-990	DFC-9120	Ø3-1/2" NPT	88.0	93.76	42.76	11.0	165.0	178.0	225
-	DFC-1060	DFC-1090	DFC-10120	Ø4" NPT	102.0	95.03	44.03	11.0	175.0	185.0	280