

Control Station and Control Panel: Control Box, DCT1D series

Flameproof and Dust protection by enclosure

Zone 1 & 2 – 21 & 22



Application

The DCT1D control boxes are designed for use

- in hazardous areas, zone 1, 2 and zone 21, 22.
- installation in petroleum refineries, chemical plants, storage areas where hazardous substances are handled.
- instrument box with circular or rectangular window.
- containing analogue and digital measuring instruments.
- indicating the electrical function performed.

The circuit breakers are suitable for

- short circuit and overcurrent protection of service entrance, feeder, branch circuit, lighting or motor circuit and serve as a disconnecting mean.

The motor starters are suitable for

- single speed, non-reversing starting and stopping of AC squirrel cage induction motors.
- direct-on-line or star-delta starting method.

The circuit breaker panelboards are suitable for

- control of branch circuit distribution such as lighting circuits, receptacles, pumps or motors.

Specification

- Body, cover : Marine grade copper-free aluminium alloy with polyester powder coated, RAL 7032 (Grey)
- Lid screws : Stainless steel, SUS 304
- Sealing gasket : Silicone

Option

- Body, cover : Offshore painting (Acrylic polyurethane coating)
- Lid screws : Stainless steel, SUS 316

Technical Data

Hazardous Area	Gas	Dust
Zones	1 & 2	21 & 22
Equipment Group/Category	II 2G	II 2D
Symbol of Protection	Ex db IIB+H ₂ T6/T5 Gb	Ex tb IIIC T85°C/ T100°C Db IP66
Conformity to Standards	EN IEC 60079-0:2018, EN 60079-1:2014, EN 60079-31:2014	
Ambient Temperature	-40°C to +65°C	
Index of Protection	IP66	
Entries	NPT or Metric threads	
Mounting	Wall mount	
Rated Voltage	Max. 750V.ac 50/60Hz.	

The enclosure with panel mounted operating devices



Circuit breaker box



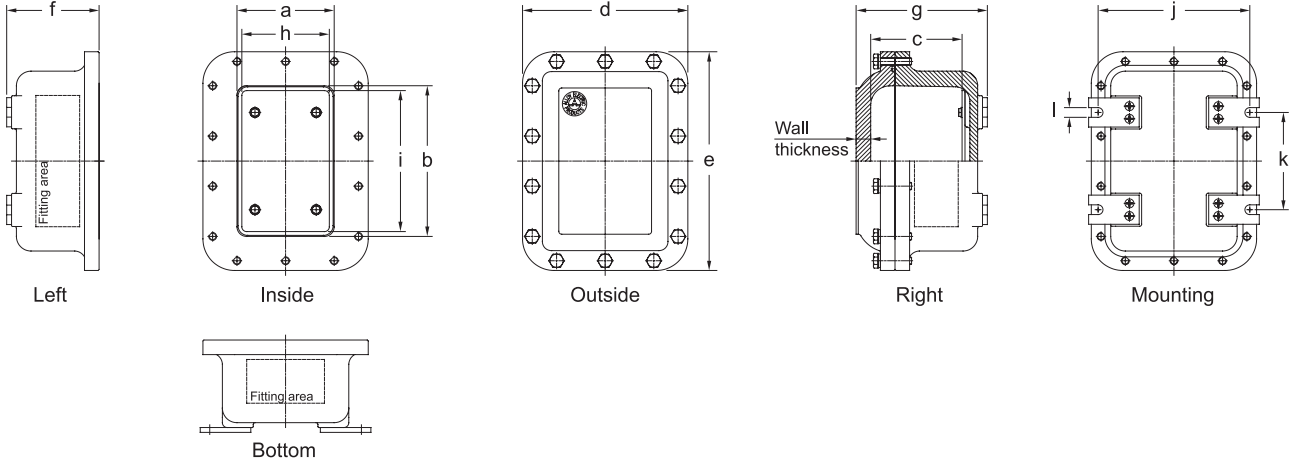
Motor starter Box



Circuit breaker panelboard



Dimension



Cat. No.	Dimension in mm.												Wall Thickness	Volume (dm ³)	Empty Weight (kgs.)
	Inside			Outside			Equip. Plate		Mounting						
	a	b	c	d	e	f	g	h	i	j	k	l			
DCT1D 685	100	155	102	170	225	94	134	85	140	160	100	10	15	1.497	4.8
DCT1D 886	138	138	130	210	210	114	164	125	125	202	100	10	15	2.352	6.5
DCT1D 8126	135	240	127	207	312	114	164	125	230	200	160	12	15	3.958	9.3
DCT1D 8187	136	394	167	208	466	154	204	120	380	200	300	12	15	8.653	15.4
DCT1D 9157	164	314	160	237	387	148	198	154	295	228	230	12	15	7.954	14.7
DCT1D 9207	162	440	171	230	508	158	208	145	420	228	350	12	15	12.116	19.2
DCT1D 101610	174	324	217	263	413	202	260	155	300	240	240	12	18	11.767	19.7
DCT1D 11218	210	450	177	299	539	162	220	195	435	276	350	12	18	16.284	25.1
DCT1D 12127	244	244	162	333	333	147	205	225	225	310	170	12	18	9.339	17.2
DCT1D 15156	300	300	122	389	389	107	165	280	280	366	240	12	18	10.697	20.4
DCT1D 151510	300	300	222	389	389	207	267	280	280	366	240	12	20	19.398	28.0
DCT1D 15198	298	398	172	387	487	157	217	280	380	364	300	12	20	19.928	29.9
DCT1D 162810	330	627	225	423	720	202	279	310	610	402	450	12	22	45.689	59.9
DCT1D 20208	424	424	182	522	522	160	237	405	405	519	290	15	22	32.012	51.7
DCT1D 202410	430	530	220	534	634	194	271	410	510	513	450	15	22	49.278	62.0
♠ DCT1D 20329	423	713	208	532	822	184	262	400	690	510	650	15	23	61.662	77.7
♠ DCT1D 203611	408	813	235	524	929	216	296	380	775	511	680	15	25	76.200	105.8
♠ DCT1D 284411	600	1000	235	743	1143	216	301	565	965	707	800	15	30	138.576	188.9

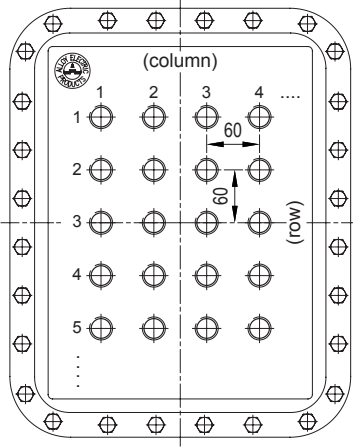
♠ 6 Mounting feet.

Control Station and Control Panel: Control Box, DCT1D series

Flameproof and Dust protection by enclosure

Zone 1 & 2 – 21 & 22

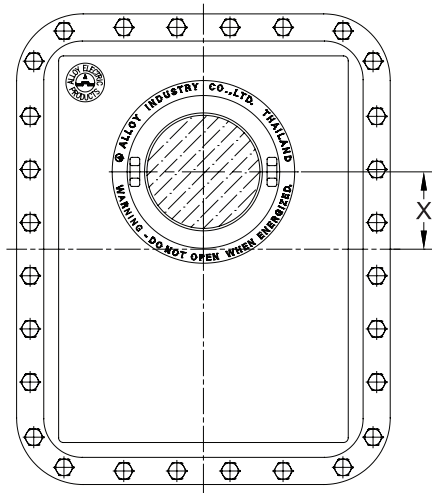
The enclosure with panel mounted operating devices



Cat. No.	Operating devices		Total
	Row	Column	
DCT1D 685	1	1	1
DCT1D 886	1	2	2
DCT1D 8126	3	2	6
DCT1D 8187	5	2	10
DCT1D 9157	4	2	8
DCT1D 9207	6	2	12
DCT1D 101610	4	2	8
DCT1D 11218	6	3	18
DCT1D 12127	3	4	12
DCT1D 15156	4	4	16
DCT1D 151510	4	4	16
DCT1D 15198	5	4	20
DCT1D 162810	9	5	45
DCT1D 20208	5	6	30
DCT1D 202410	7	6	42
DCT1D 20329	10	6	60
DCT1D 203611	12	6	72
DCT1D 284411	14	9	126

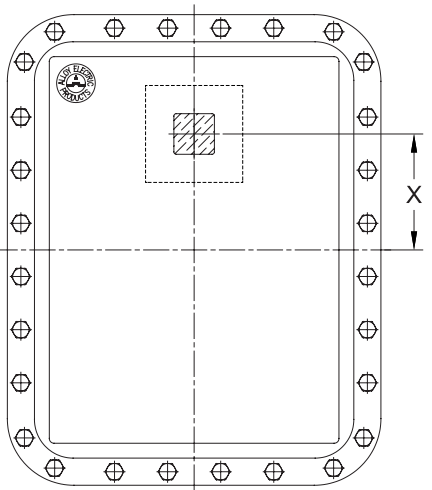
The enclosure with inspection windows

Round type, LGCR series



Cat. No.	X = Maximum center line of Cover to center line of Inspection window (unit : mm.)			
	LGCR1-50-M85	LGCR-113	LGCR-217	LGCR-320
DCT1D 685	—	—	—	—
DCT1D 886	0 (center)	—	—	—
DCT1D 8126	50	—	—	—
DCT1D 8187	120	—	—	—
DCT1D 9157	90	—	—	—
DCT1D 9207	150	—	—	—
DCT1D 101610	100	—	—	—
DCT1D 11218	150	100	—	—
DCT1D 12127	50	0 (center)	—	—
DCT1D 15156	80	30	0 (center)	0 (center)
DCT1D 151510	80	30	0 (center)	0 (center)
DCT1D 15198	120	80	50	0 (center)
DCT1D 162810	230	200	170	150
DCT1D 20208	140	100	50	50
DCT1D 202410	190	150	120	100
DCT1D 20329	250	220	200	200
DCT1D 203611	300	270	250	250
DCT1D 284411	400	350	300	300

Rectangular type, LGCS series



Cat. No.	X = Maximum center line of Cover to center line of Inspection window (unit : mm.)					
	LGCS-142	LGCS-260	LGCS-383	LGCS-430	LGCS-5120	LGCS-6200
DCT1D 685	—	—	—	—	—	—
DCT1D 886	0 (center)	—	—	—	—	—
DCT1D 8126	50	40	—	—	—	—
DCT1D 8187	120	120	—	—	—	—
DCT1D 9157	80	80	70	—	—	—
DCT1D 9207	150	150	120	—	—	—
DCT1D 101610	90	90	70	—	—	—
DCT1D 11218	150	150	130	—	100	—
DCT1D 12127	50	50	30	50	0 (center)	0 (center)
DCT1D 15156	80	70	60	70	40	0 (center)
DCT1D 151510	80	70	60	70	40	0 (center)
DCT1D 15198	120	120	100	130	80	30
DCT1D 162810	240	230	210	230	200	140
DCT1D 20208	140	120	120	140	100	50
DCT1D 202410	190	180	160	200	150	100
DCT1D 20329	250	250	250	250	230	170
DCT1D 203611	300	300	300	300	280	220
DCT1D 284411	400	400	370	400	350	320

