

# Fixture Hangers: Fixture Hanger, DCH series

Flameproof and Dust protection by enclosure  
Zone 1 & 2 – 22



## Application

The DCH fixture hangers are designed for suspension or pipe pendant mounting of the lighting fixtures. They are suitable for use in zone 1, 2 and zone 22 explosive atmospheres.

## Specification

Body material : Marine grade copper-free aluminium alloy with polyester powder coated, RAL 7032 (Grey)

## Technical Data

<b>Hazardous Area</b>	Gas	Dust
<b>Zones</b>	1 & 2	22
<b>Equipment Group/Category</b>	II 2G	II 3D
<b>Symbol of Protection</b>	Ex d IIB Gb	Ex tc IIIB Dc IP54
<b>Conformity to Standards</b>	EN 60079-0:2012+A11:2013, EN 60079-1:2014, EN 60079-31:2014	
<b>Ambient Temperature</b>	-20°C to +75°C	
<b>Index of Protection</b>	IP54	

## Catalogue Number Logic

**DCH**

Series

■

Type

- C 2-hubs straight
- L 2-hubs angle
- T 3-hubs
- X 4-hubs

■

Entries

- 1 Ø1/2" NPT
- 2 Ø3/4" NPT

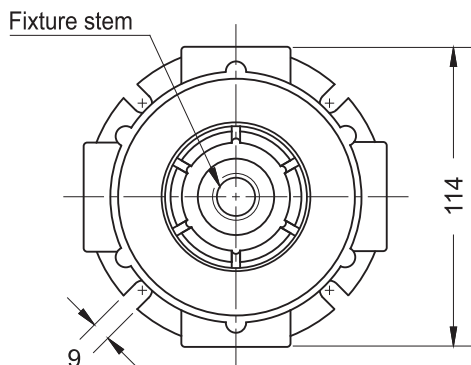
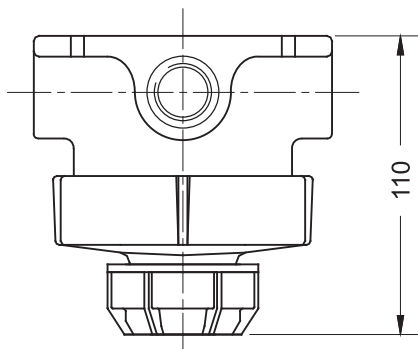
■

Fixture stem

- 1 Ø1/2" NPT
- 2 Ø3/4" NPT



## Dimension



## Ordering Requirements

Cat. No.	Diagram	Entries Thread	Fixture Stem Size	Volume (dm <sup>3</sup> )	Approx. Weight (kgs.)
<b>2- Hubs straight</b>					
DCHC 11		Ø1/2" NPT	Ø1/2" NPT	0.41	0.868
DCHC 12			Ø3/4" NPT		
DCHC 21		Ø3/4" NPT	Ø1/2" NPT	0.41	0.875
DCHC 22			Ø3/4" NPT		
<b>2- Hubs angle</b>					
DCHL 11		Ø1/2" NPT	Ø1/2" NPT	0.42	0.868
DCHL 12			Ø3/4" NPT		
DCHL 21		Ø3/4" NPT	Ø1/2" NPT	0.42	0.875
DCHL 22			Ø3/4" NPT		
<b>3- Hubs</b>					
DCHT 11		Ø1/2" NPT	Ø1/2" NPT	0.41	0.868
DCHT 12			Ø3/4" NPT		
DCHT 21		Ø3/4" NPT	Ø1/2" NPT	0.41	0.875
DCHT 22			Ø3/4" NPT		
<b>4- Hubs</b>					
DCHX 11		Ø1/2" NPT	Ø1/2" NPT	0.43	0.868
DCHX 12			Ø3/4" NPT		
DCHX 21		Ø3/4" NPT	Ø1/2" NPT	0.43	0.875
DCHX 22			Ø3/4" NPT		