

Cable Fitting: Cable Gland for Non-Armoured Cable, DNA Series



Flameproof/ Increased Safety and Dust protection by enclosure

Zone 1 & 2 – 21 & 22

Application

The DNA cable glands are suitable for used in zone 1, 2 and zone 21, 22 hazardous areas to enable direct insertion of normal non-armoured cable into Ex d equipment or enclosure.

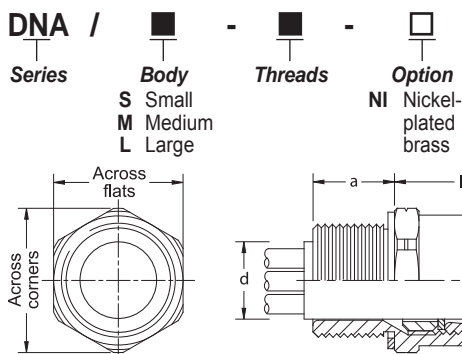
Specification

Body, gland nut : Brass
(Nickel-plated brass as option)
Thread seal : Nylon (PA6)
(For metric threads only)

Technical Data

Hazardous Area	Gas	Dust
Zones	1 & 2	21 & 22
Equipment Group/Category	⊕ II 2G	⊕ II 2D
Symbol of Protection	Ex db eb IIC Gb	Ex tb IIIC Db IP66
Certificate	TÜV CY 18 ATEX 0206101 U	
T Rating	Temperature class of enclosure to which will be connected.	
Conformity to Standards	EN 60079-0:2012+A11:2013, EN 60079-1:2014, EN 60079-7:2015, EN 60079-31:2014	
Ambeint Temperature	-20°C to +75°C	
Index of Protection	IP66	

Catalogue Number Logic



Note: Cables for fixed installations shall have flame propagation characteristics which enable them to withstand the tests according to IEC 60332-1-2 or IEC 60332-3-22.



Brass



Nickel-plated brass

Ordering Requirements

Cat. No.	Entries Threads (Male)		Cable Dia. Outer 'd'	Dimension in mm.				Approx. Weight (kgs.)	Shroud Ref.
	Metric	NPT		Min - Max	l	a	Across Corners		
DNA/S -M0 -□	M16x1.5	-	3.0-8.6	25.0	15.0	26.5	24.0	0.06	SPV-24
DNA/S -M1 -□	M20x1.5	-		25.0	19.8	26.5	24.0	0.07	
DNA/S -N1 -□	-	1/2"	6.1-11.9	25.0	15.0	26.5	24.0	0.07	SPV-24
DNA/M -M1 -□	M20x1.5	-		25.0	19.8	26.5	24.0	0.07	
DNA/M -N1 -□	-	1/2"	6.5-14.3	26.0	15.0	35.0	31.75	0.09	SPV-31
DNA/L -M1 -□	M20x1.5	-		26.0	19.8	35.0	31.75	0.08	
DNA/S -M2 -□	M25x1.5	-	11.1-20.2	26.0	20.1	35.0	31.75	0.12	SPV-31
DNA/L -N1 -□	-	1/2"		26.0	20.1	35.0	31.75	0.12	
DNA/S -N2 -□	-	3/4"	17.0-26.5	33.0	15.0	42.0	38.1	0.14	SPV-38
DNA/M -M2 -□	M25x1.5	-		33.0	15.0	42.0	38.1	0.18	
DNA/S -M3 -□	M32x1.5	-	22.0-32.5	33.0	20.1	42.0	38.1	0.14	SPV-38
DNA/M -N2 -□	-	3/4"		33.0	20.1	42.0	38.1	0.14	
DNA/S -N3 -□	-	1"	29.5-38.1	33.0	25.0	42.0	38.1	0.21	SPV-50
DNA/M -M3 -□	M32x1.5	-		33.0	25.0	42.0	38.1	0.21	
DNA/S -M4 -□	M40x1.5	-	35.6-44.0	34.0	15.0	49.0	44.4	0.19	SPV-44
DNA/M -N3 -□	-	1"		34.0	15.0	49.0	44.4	0.19	
DNA/S -N4 -□	-	1-1/4"	39.0-44.0	34.0	25.6	49.0	44.4	0.31	SPV-44
DNA/M -M4 -□	M40x1.5	-		34.0	25.6	49.0	44.4	0.31	
DNA/S -M5 -□	M50x1.5	-	44.1-54.0	38.0	15.0	56.0	50.8	0.26	SPV-57
DNA/M -N4 -□	-	1-1/4"		38.0	15.0	56.0	50.8	0.26	
DNA/S -N5 -□	-	1-1/2"	44.1-54.0	38.0	25.6	56.0	50.8	0.30	SPV-57
DNA/M -N5 -□	-	1-1/2"		38.0	25.6	56.0	50.8	0.30	
DNA/M -M5 -□	M50x1.5	-	35.6-44.0	38.0	15.0	63.0	57.1	0.36	SPV-57
DNA/S -N6 -□	-	1-1/2"		38.0	15.0	63.0	57.1	0.36	
DNA/M -N5 -□	M50x1.5	-	39.0-44.0	38.0	26.0	63.0	57.1	0.37	SPV-57
DNA/S -N6 -□	-	1-1/2"		38.0	26.0	63.0	57.1	0.37	
DNA/L -M5 -□	M50x1.5	-	35.6-44.0	40.0	15.0	70.0	63.5	0.44	SPV-63
DNA/S -M6 -□	M63x1.5	-		40.0	15.0	70.0	63.5	0.44	
DNA/L -N5 -□	-	1-1/2"	44.1-54.0	40.0	26.0	70.0	63.5	0.47	SPV-63
DNA/S -N6 -□	-	2"		40.0	26.9	70.0	63.5	0.67	
DNA/M -M6S -□	M63x1.5	-	39.0-44.0	40.0	15.0	84.0	76.2	0.49	SPV-76
DNA/S -M7S -□	M75x1.5	-		40.0	15.0	84.0	76.2	0.76	
DNA/M -N6S -□	-	2"	44.1-54.0	40.0	26.9	84.0	76.2	0.52	SPV-76
DNA/S -N7S -□	-	2-1/2"		40.0	26.9	84.0	76.2	0.52	
DNA/M -M6L -□	M63x1.5	-	44.1-54.0	40.0	39.9	84.0	76.2	0.95	SPV-76
DNA/S -M7L -□	M75x1.5	-		40.0	39.9	84.0	76.2	0.95	
DNA/M -N6L -□	-	2"	44.1-54.0	40.0	15.0	84.0	76.2	0.49	SPV-76
DNA/S -N7L -□	-	2-1/2"		40.0	15.0	84.0	76.2	0.49	

