

Application

The CTE2 control stations are used for local or remote control of motor and machine in zone 1, 2 and zone 21, 22 hazardous areas.

Specification

- Body, cover : Marine grade copper-free aluminium alloy with polyester powder coated, RAL 7032 (grey)
- Sealing gasket : Silicone
- Bolts, nuts : Stainless steel, SUS 304

Electrical Rating

- Switch modules : 16A. 400V. (AC 12)
- 10A. 400V. (AC 15)
- 1A. 24V. (DC 13)
- 690V. rated insulation voltage



- Lamp modules : LED lamp > 10⁵ hr. illuminated
- AC 12V. to 250V. operating voltage
- DC 12V. to 60V. operating voltage
- < 1W. power consumption
- 300V. rated insulation voltage



Technical Data

Hazardous Area	Gas	Dust
Zones	1 & 2	21 & 22
Equipment Group/Category	II 2G	II 2D
Symbol of Protection	Ex de IIC T6 Gb	Ex tb IIIC T80°C IP65
Conformity to Standards	EN IEC 60079-0:2018, EN 60079-1:2014, EN 60079-7:2016, EN 60079-31:2014	
Ambient Temperature	-20°C to +50°C	
Index of Protection	IP65	
Entries	Ø1/2" to Ø1" NPT (M20x1.5 to M32x1.5)	
Mounting	Wall type	

Catalogue Number Logic

CTE2 - ■ ■ ■ - □ □ □ - □ T

Series	Number of Unit	Number of Padlockable	Entries		Number of Terminal		
1	1-unit	00 none	T	Dead-end/ Top	N1 Ø1/2" NPT	2T	2-Poles
2	2-units	1P 1-padlockable	B	Dead-end/ Bottom	N2 Ø3/4" NPT	4T	4-Poles
3	3-units	2P 2-padlockable	C	Through-feed	N3 Ø1" NPT	6T	6-Poles
4	4-units	3P 3-padlockable	M1		M20x1.5	8T	8-Poles
			M2		M25x1.5		
			M3		M32x1.5		

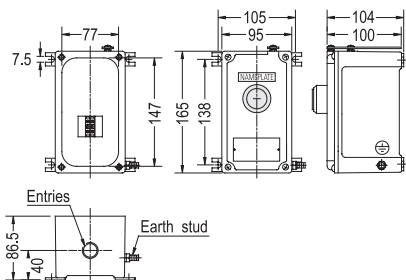
Ordering Requirements

Number of Unit	Number of Padlockable *	Cat. No.	Approx. Weight (kgs.)
1-unit	none	CTE2-100-□□□-□T	1.20
	1	CTE2-11P-□□□-□T	
2-units	none	CTE2-200-□□□-□T	1.50
	1	CTE2-21P-□□□-□T	
3-units	none	CTE2-300-□□□-□T	2.25
	1	CTE2-31P-□□□-□T	
	2	CTE2-32P-□□□-□T	
	3	CTE2-33P-□□□-□T	
4-units	none	CTE2-400-□□□-□T	2.25

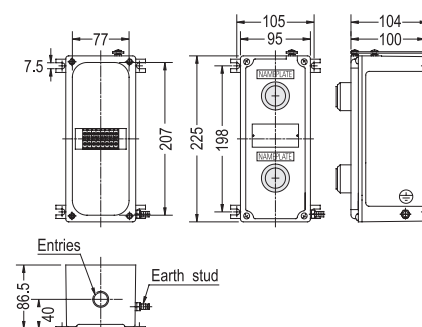
* Padlockable by pin for push buttons and/or selector switches

Dimension

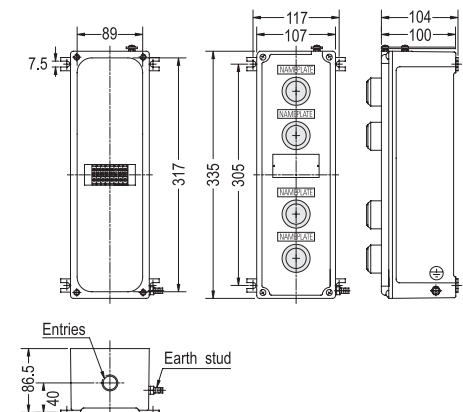
1-unit



2-units



3-4-units



Note : For selection of switch and lamp modules, please find the BARTEC 's catalogue in series 05-0003, 07-3323, and 07-3353.