

Conduit Fitting: Clamp and Back Clamp/ Bracket Clamp, CL and CLB/ BC Series

Flameproof

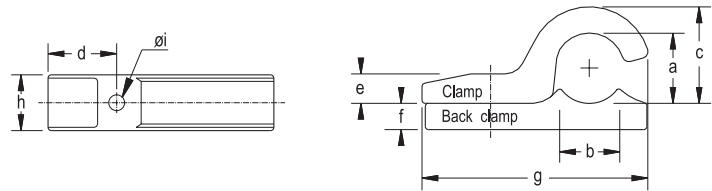
Zone 1 & 2 – 21 & 22



Clamp and Back Clamp



Ordering Requirements and Dimension



Application

CL clamps and CLB back clamps are used for fixing the rigid steel conduit (RSC), intermediate metal conduit (IMC) or cable in dry, wet or corrosive locations.

- CL clamps are used for fixing the conduit or cable running on surface.
- CLB back clamps are used with CL clamps to provide space between conduit and surface.

Specification

Body material : Marine grade copper-free aluminium alloy with polyester powder coated, RAL 7032 (Grey)

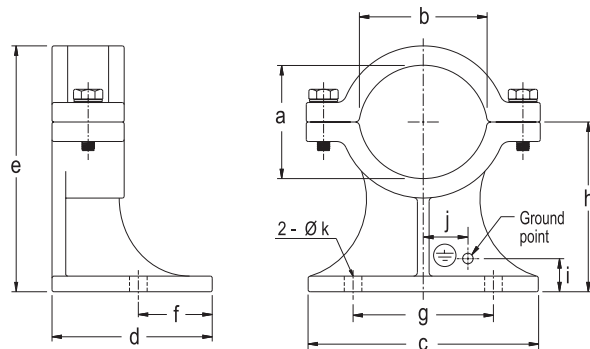
Standard size : 1/2 to 4 inches conduit size

Cat. No.		Conduit Size (inch)	Dimension in mm.								
Clamps	Back Clamps		a	b	c	d	e	f	g	h	ø i
CL 1	CLB 1	1/2"	20.0	19.0	30.0	22.0	10.0	8.0	70.0	16.0	6.0
CL 2	CLB 2	3/4"	25.0	23.0	33.0	22.0	11.0	8.0	77.0	16.0	6.0
CL 3	CLB 3	1"	31.0	28.0	39.0	24.0	12.0	10.0	85.0	16.0	7.0
CL 4	CLB 4	1-1/4"	40.0	35.0	47.0	28.0	14.0	10.0	98.0	25.0	8.0
CL 5	CLB 5	1-1/2"	44.0	38.0	54.0	28.0	14.0	10.0	105.0	25.0	8.0
CL 6	CLB 6	2"	58.0	47.0	68.0	35.0	14.0	12.0	127.0	29.0	8.0
CL 7	CLB 7	2-1/2"	73.0	52.0	86.0	35.0	16.0	12.0	145.0	31.0	8.0
CL 8	CLB 8	3"	87.0	60.0	102.0	35.0	16.0	13.0	160.0	35.0	8.0
CL 9	CLB 9	3-1/2"	97.0	66.0	113.0	35.0	16.0	13.0	182.0	35.0	8.0
CL 10	CLB 10	4"	105.0	70.0	120.0	35.0	21.0	13.0	188.0	35.0	8.0

Bracket Clamp



Ordering Requirements and Dimension



Application

BC bracket clamps are used for supporting and fixing the rigid steel conduit (RSC), intermediate metal conduit (IMC) or cable in dry, wet or corrosive location.

Specification

Body material : Marine grade copper-free aluminium alloy with polyester powder coated, RAL 7032 (Grey)

Screw and washer : Stainless steel

Cat. No.	Conduit Size (inch)	Dimension in mm.										
		a	b	c	d	e	f	g	h	i	j	ø k
BC 1	1/2"	18.0	24.0	72.0	60.0	61.0	30.0	45.0	45.0	14.0	14.0	12.0
BC 2	3/4"	23.0	30.0	83.0	60.0	76.0	30.0	50.0	57.0	14.0	14.0	12.0
BC 3	1"	30.0	36.0	83.0	60.0	80.0	30.0	50.0	57.0	14.0	14.0	12.0
BC 4	1-1/4"	38.0	46.0	111.0	60.0	84.0	30.0	65.0	57.0	14.0	14.0	12.0
BC 5	1-1/2"	44.0	52.0	111.0	60.0	87.0	30.0	65.0	57.0	14.0	14.0	12.0
BC 6	2"	56.0	63.0	145.0	72.0	124.0	36.0	80.0	87.0	17.0	17.0	14.0
BC 7	2-1/2"	69.0	76.0	145.0	72.0	131.0	36.0	80.0	87.0	17.0	17.0	14.0
BC 8	3"	84.0	92.0	187.0	90.0	167.0	45.0	100.0	115.0	20.0	20.0	14.0
BC 9	3-1/2"	96.0	106.0	187.0	90.0	173.0	45.0	100.0	115.0	20.0	20.0	14.0
BC 10	4"	109.0	120.0	187.0	90.0	179.0	45.0	100.0	115.0	20.0	20.0	14.0

