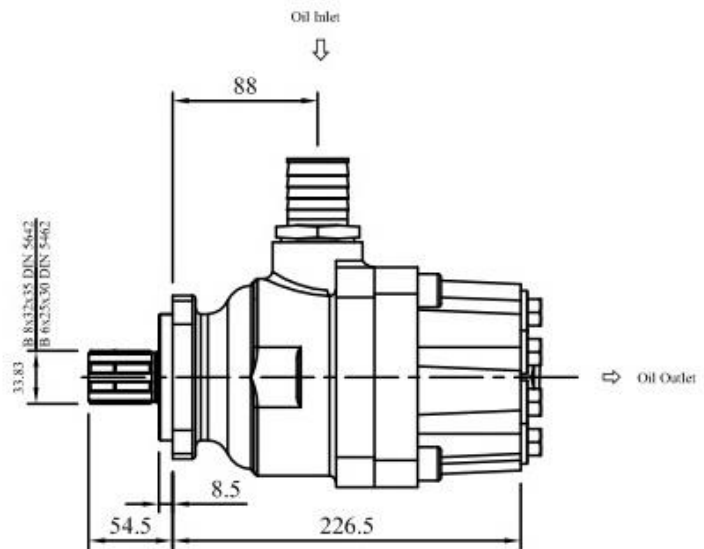
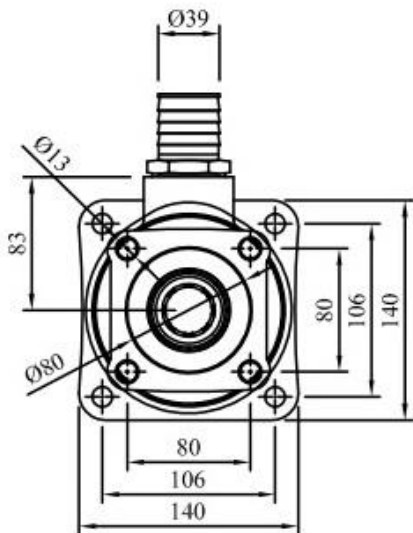
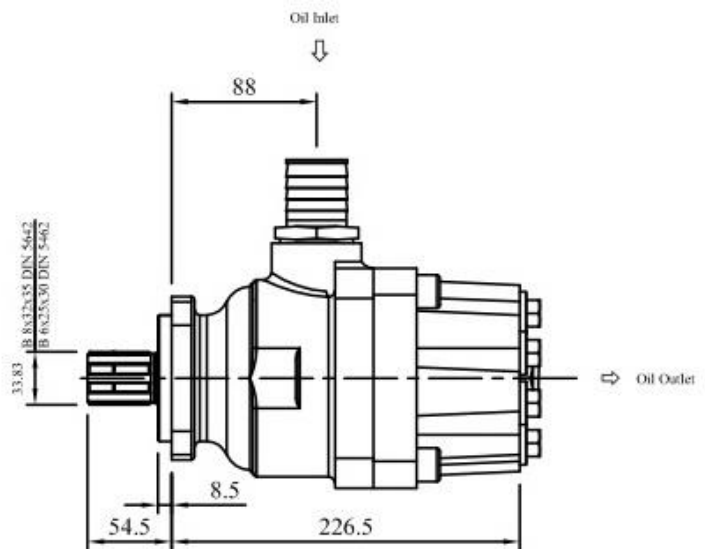
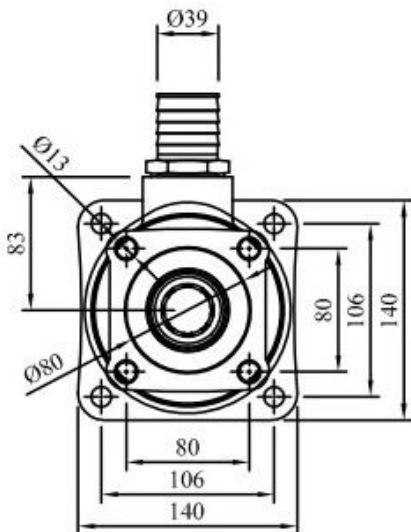


2080-20.9080.0Q
TPP90.80S-G20/G16-N



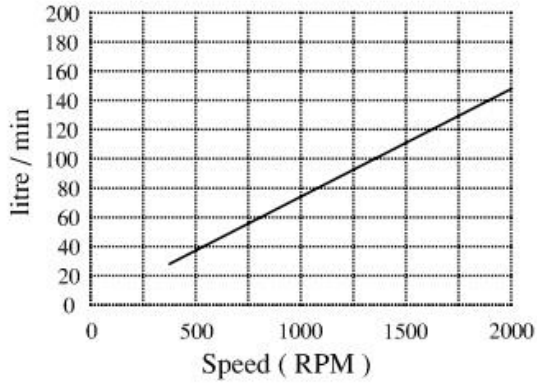
Displacement	Inlet	Outlet	Max. press. (bar/psi)	Cont. Max speed (rpm)	Peak max. speed (rpm)	Wt. kg
cm ³ /rev						
80	Ø39	1"	300/ 4350	900	1000	20

2080-20.9060.0Q
TPP90.60S-G20/G16-N

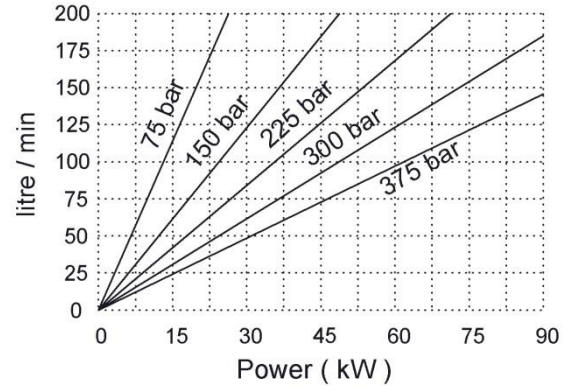


Displacement cm ³ /rev	Inlet	Outlet	Max. press. (bar/psi)	Cont. Max speed (rpm)	Peak max. speed (rpm)	Wt. kg
60	Ø39	1"	300/ 4350	900	1200	20

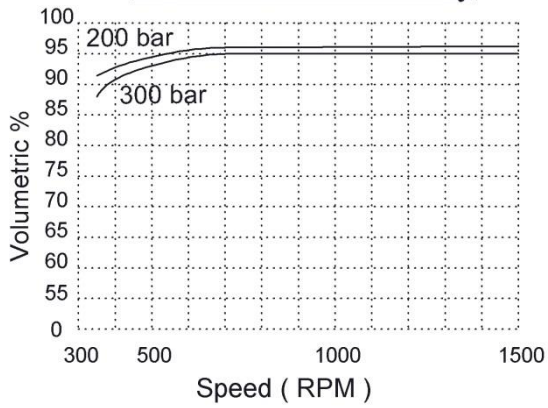
Capacity



Power Input



Volumetric Efficiency



Drive Torque

