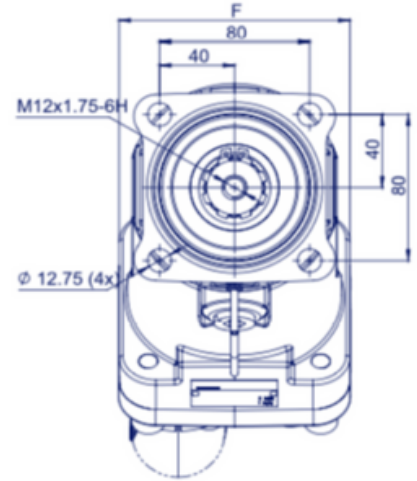
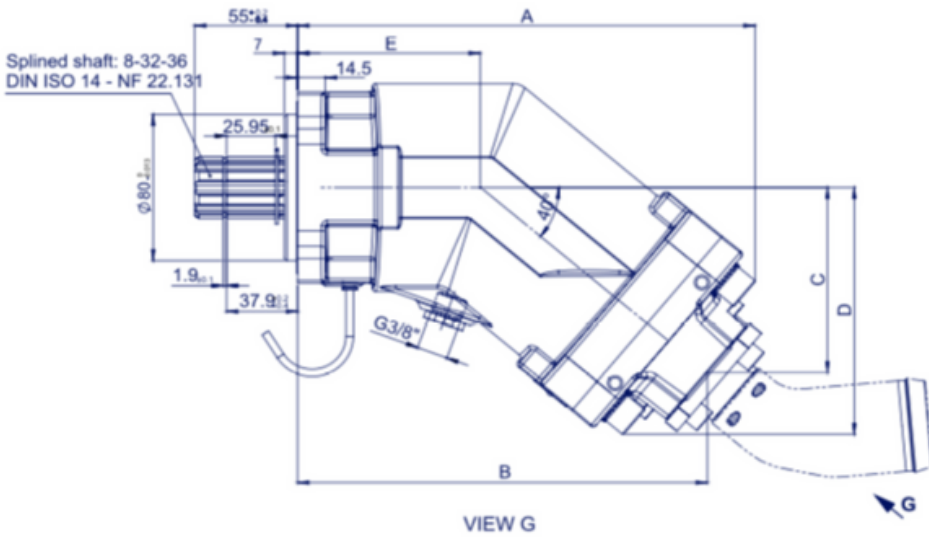
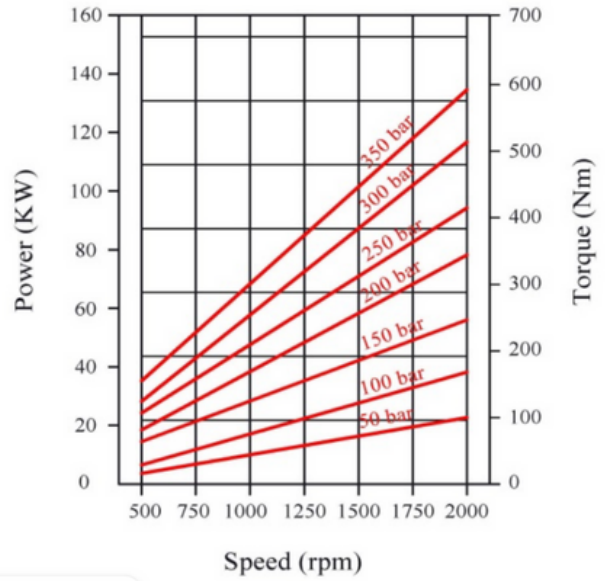
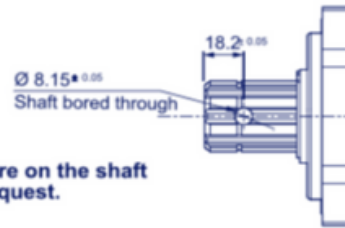
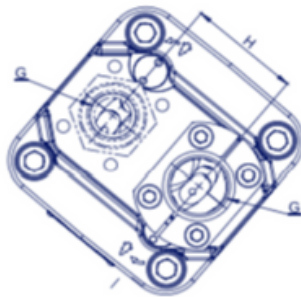




TPA80 Series



View G



Displacement (cc/rev)	Inlet / Outlet G (BSPP)	Max pressure (Bar / PSI)	Recommend Speed (Rpm)	Wt. (Kg.)	A (mm.)	B (mm.)	C (mm.)	D (mm.)	E (mm.)	F (mm.)	H (mm.)
32.0	G3/4"	350 / 5075	2000	11.5	202.8	184	82.3	109.1	85.7	108	54
41.2	G3/4"	350 / 5075	2000	11.6	202.8	184	82.3	109.1	85.7	108	54
50.3	G3/4"	350 / 5075	2000	11.7	214.4	195.6	92	118.9	85.7	108	54
63.0	G3/4"	350 / 5075	2000	11.8	214.4	195.6	92	118.9	85.7	108	54
80.4	G1"	350 / 5075	2000	17.8	241.7	220	100	133.3	97.4	123	60
108.0	G1"	350 / 5075	2000	17.8	241.7	220	100	133.3	97.4	123	60
133.0	G1"	350 / 5075	2000	18.7	244	224	100	135.2	97.4	123	60