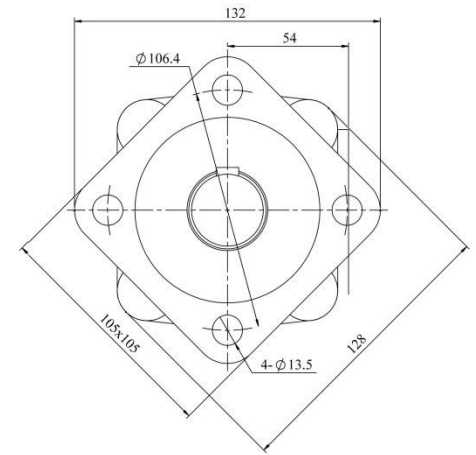
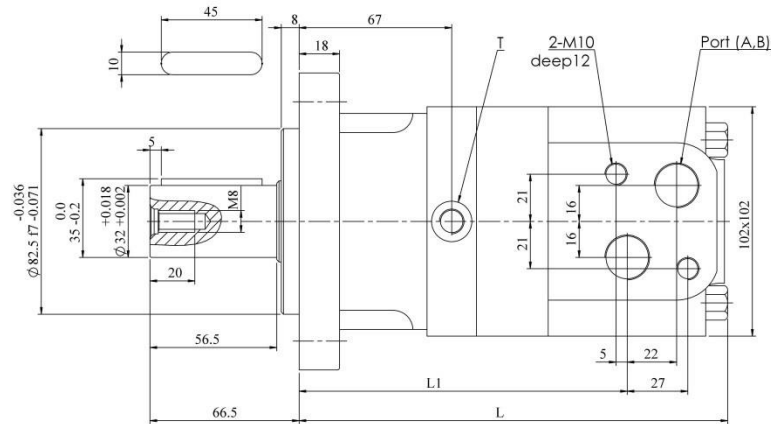


Orbit motor MHS Series



Working principle:

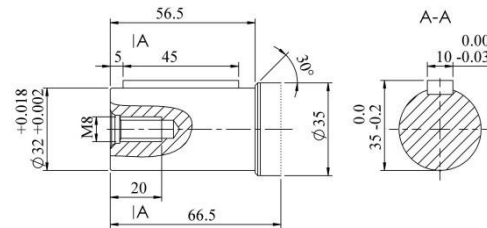
High pressure oil goes into the motor's housing through the inlet, passing the auxiliary plate, distributor, then the working space between the orbit cam and rolls. Pressed by the high pressure oil, orbit cam rotates from the high pressure side to the low pressure side. The orbit cam makes rotation and revolution against the rolls, at the same time, pressure oil is distributed continuously, thus, the output shaft can also rotate continuously.

The output speed can be controlled by adjusting the inlet flow capability of the motor, and the rotating direction can be changed by exchanging the flow direction.

Features and applications:

BM hydraulic motor is one type of high torque low speed hydraulic motors, with high efficiency and long life. BM motor has a wide speed range, high starting torque and rotating stable at high speed compact and light, it can be connected to working machine directly, adapted to all kinds of low speed heavy load facilities.

BM hydraulic motors are widely applied in agriculture machinery, fishing machinery, plastic industry, mining, and construction machinery.



Model	Displacement (cc/rev)	Max pressure (Bar)		Max torque (Nm.)		Max speed (rpm)	B (mm.)	L (mm.)	L1 (mm.)	Max flow (lpm)	Weight (Kg.)	Port A&B	Drain port
		Cont.	Peak	Cont.	Peak								
MHS80	80.5	175	200	194	218	10-770	11	167	124	75	9.8	½ BSPP	¼ BSPP
MHS100	100.5	175	200	242	283	10-732	14.5	170.5	127.5	75	10.0	½ BSPP	¼ BSPP
MHS125	126.3	175	200	303	345	9-570	19	175	132	75	10.3	½ BSPP	¼ BSPP
MHS160	160.8	160	200	358	429	7-447	25	181	138	75	10.7	½ BSPP	¼ BSPP
MHS200	200.9	160	200	438	540	6-356	32	188	145	75	11.1	½ BSPP	¼ BSPP
MHS250	252.6	125	160	440	580	6-285	41	197	154	75	11.6	½ BSPP	¼ BSPP
MHS315	321.5	125	160	551	625	6-228	53	209	166	75	12.3	½ BSPP	¼ BSPP
MHS400	393.0	120	160	865	990	6-190	68.4	221	178	75	13.2	½ BSPP	¼ BSPP