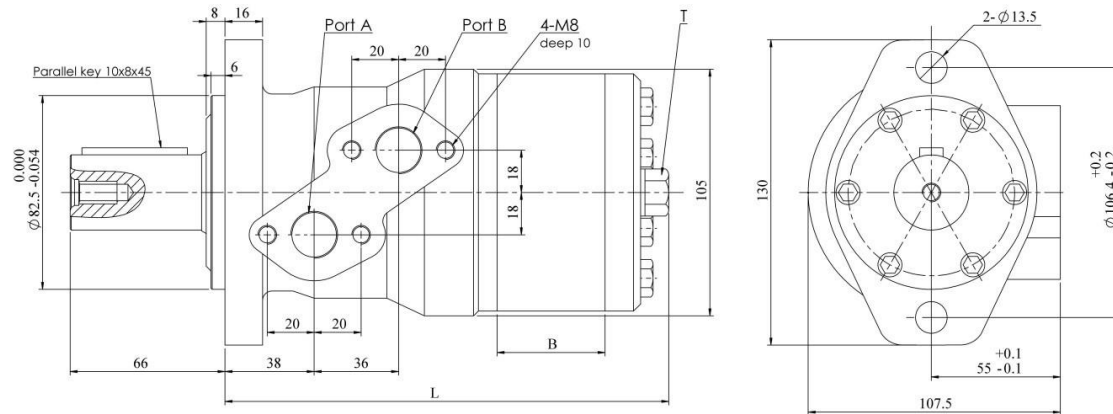


### Orbit motor MBR Series

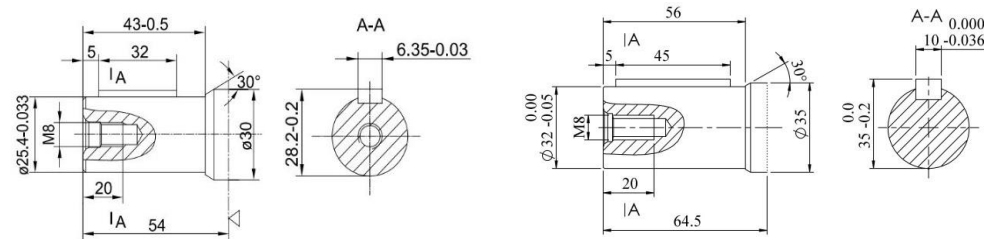


#### Characteristics:

1. The output shaft, with the deep groove ball bearing, can bear certain axial force and radial force.
2. With the axial oil distribution structure, it is of small size and less weight.
3. With two inner check valves, no drain connection.
4. With cycloid roller, it has a small friction and high mechanical efficiency.

#### Introduction:

This series of motor, with its shell made of ductile cast iron of adequate intensity, can be applied to situation with less load and interval operation, widely to agriculture, forestry, plastics, machine tools and min machines, such as the mold height adjustment of the injection molding machine, the cleaner, the saw the worktable etc.



25.4mm. Key shaft

32mm. Key shaft

Model	Displacement (cc/rev)	Max pressure (Bar)		Max torque (Nm.)		Max speed (rpm)	B (mm.)	L (mm.)	Max flow (lpm)	Weight (Kg.)	Port A&B	Drain port
		Cont.	Peak	Cont.	Peak							
MBR80	80.5	140	175	152	189	10-712	14	147	60	6.9	½ BSPP	¼ BSPP
MBR100	100.5	140	175	194	236	10-570	17.5	150.5	60	7.0	½ BSPP	¼ BSPP
MBR125	126.3	140	175	237	296	10-450	22	155	60	7.3	½ BSPP	¼ BSPP
MBR160	160.8	140	175	310	378	10-356	28	161	60	7.5	½ BSPP	¼ BSPP
MBR200	200.9	140	175	369	450	10-285	35	168	60	8.0	½ BSPP	¼ BSPP
MBR250	252.6	110	140	380	470	10-228	44	177	60	8.5	½ BSPP	¼ BSPP