

AIVIO

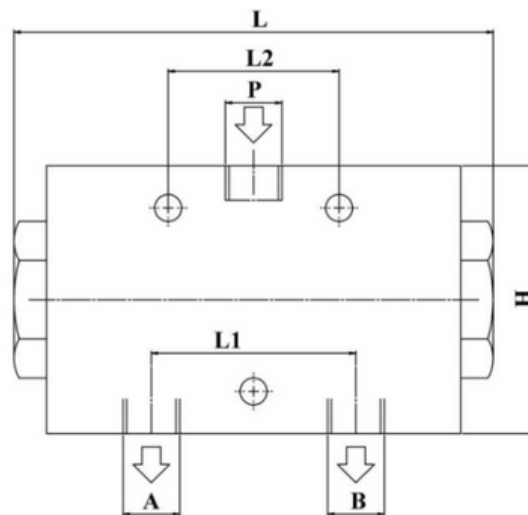
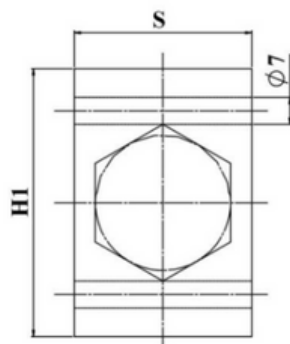
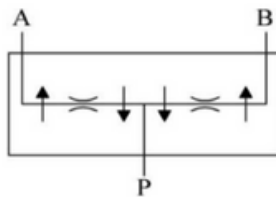
EQUAL FLOW DIVIDER



Max. working pressure: 250 bar

Material: Zinc plated

Oil circuitry



Use and Operation:

These valves allow the division of inlet flow into two equal parts (50/50) and they unify it in the reverse direction irrespective of any pressure differences and flow. These valves are used when two equal actuators, that are not mechanically coupled, supplied by the same pump and controlled by a single distributor, must move simultaneously both at input and output.

Materials and Features:

Body: zinc plate steel

Internal parts: hardened and ground steel

Seals: BUNA N standard and Telfon

Tightness: by diameter combination. Minor leakage

Cylinder stroke's error tolerance is about 2%. Any synchronization differences are compensated by the terminal position of the stroke.

APPLICATIONS:

Connect P to the pressure flow and A and B to the actuators.

TYPE	Min Flow (L/min)	Max Flow (L/min)	Working pressure	Peak pressure	P (BSPP)	A-B (BSPP)	L (mm.)	L1 (mm.)	L2 (mm.)	H (mm.)	H1 (mm.)	S (mm.)	Approx.Wt. (kg.)
DFL 10-20	10	20	250 bar	300 bar	3/8"	3/8"	117	53	40	70	45	40	2.000
DFL 20-40	25	40	250 bar	300 bar	1/2"	3/8"	117	53	40	70	45	40	2.000
DFL 40-60	40	60	250 bar	300 bar	1/2"	3/8"	117	53	40	70	45	40	2.000