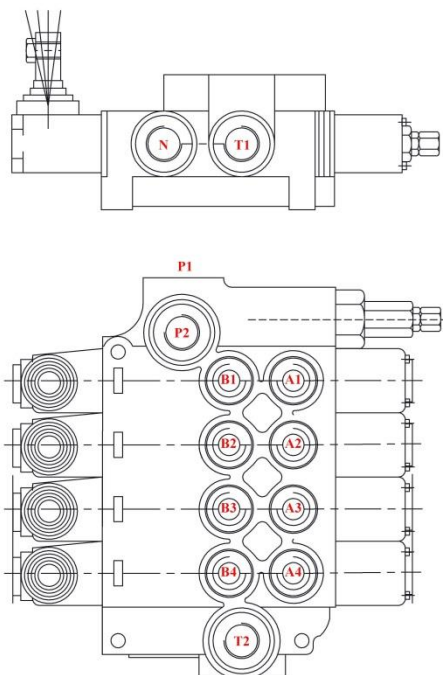
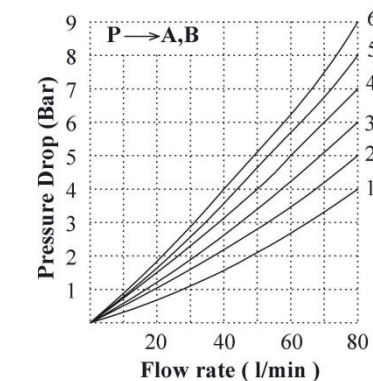
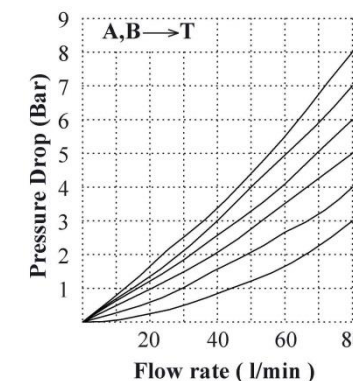
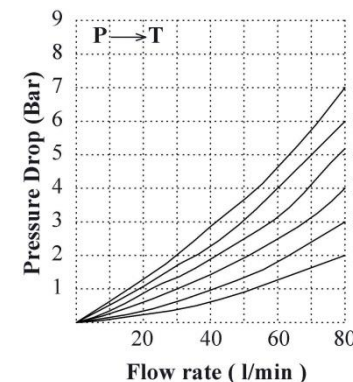


4010-40
DP80



Specifications:

1. Valve mono-block
2. Mounting: 3 bolts M8
3. Fluid medium: mineral oil based
4. Viscosity: 12~800mm²/s permissible range
5. Working temperature: -15°C~+80°C
6. Filtration: Oil contamination 10 to NAS1638
7. Max. operating pressure: P=250 bar
T=50 bar
A, B=300 bar
8. Internal leakage: 6cm³/min @ 100 bar
9. Nominal flow: 60 to 75l/min
10. Spool stroke: ±7mm
11. Actuating force: <220N in spool axis direction.



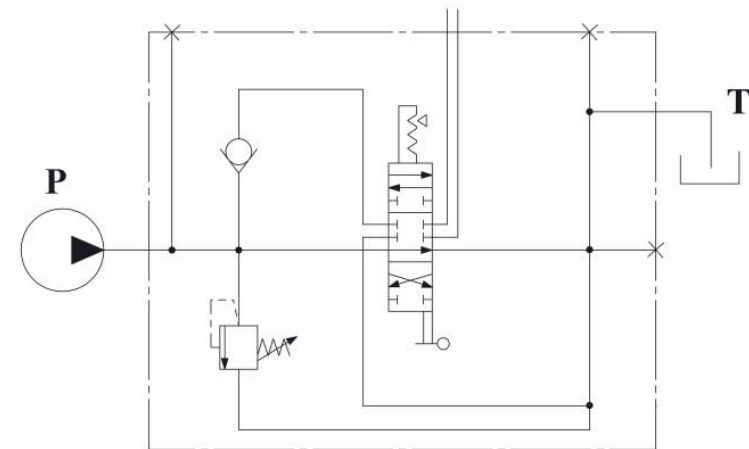
Description:

For starting, controlling and stopping the working fluid between the generator of pressured flow, the consumers and the tank.

| TYPE | Max. flow l/min | Max. Pressure (bar) | P1 (BSPP) | P2 (BSPP) | T1/N (BSPP) | T2 (BSPP) | A (BSPP) | B (BSPP) | Net. Wt Approx. |
|-----------|--------------------|------------------------|--------------|--------------|----------------|--------------|-------------|-------------|--------------------|
| DP80/1P-* | 75 | 250 | 1/2" | NO | 3/4" | NO | 1/2" | 1/2" | 3.50 |
| DP80/2P-* | 75 | 250 | 1/2" | 1/2" | 3/4" | 3/4" | 1/2" | 1/2" | 7.40 |
| DP80/3P-* | 75 | 250 | 1/2" | 1/2" | 3/4" | 3/4" | 1/2" | 1/2" | 9.70 |
| DP80/4P-* | 75 | 250 | 1/2" | 1/2" | 3/4" | 3/4" | 1/2" | 1/2" | 12.0 |
| DP80/5P-* | 75 | 250 | 1/2" | 1/2" | 3/4" | 3/4" | 1/2" | 1/2" | 14.3 |
| DP80/6P-* | 75 | 250 | 1/2" | 1/2" | 3/4" | 3/4" | 1/2" | 1/2" | 16.5 |

ORDERING CODE**DP80^① / 2P^② – A^③ 8^④ L^⑤ – D^③ 8P^④ L^⑤ – R^⑥**

- ①** Valve type
- ②** Number of spool
- ③** First spool type
- ④** First spool control on 'A' port
- ⑤** First spool control on 'B' port
- ③** Second spool type
- ④** Second spool control on 'A' port
- ⑤** Second spool control on 'B' port
- ⑥** Outlet

STANDARD CIRCUIT

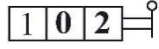
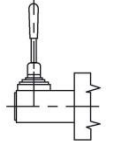
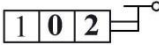
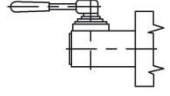
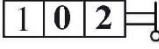
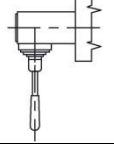
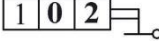
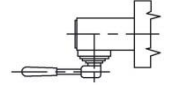
SPOOL CONTROL 3

| CODE | CONTROL SCHEME | CODE | CONTROL SCHEME |
|------|----------------|------|----------------|
| A | | M | |
| B | | N | |
| C | | O | |
| D | | P | |
| E | | Q | |
| F | | R | |
| G | | S | |
| H | | T | |

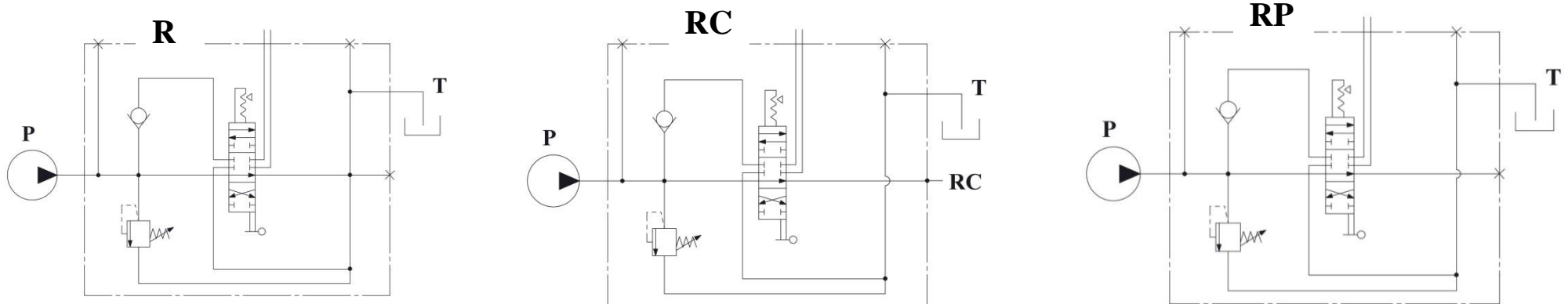
SPOOL CONTROL 4

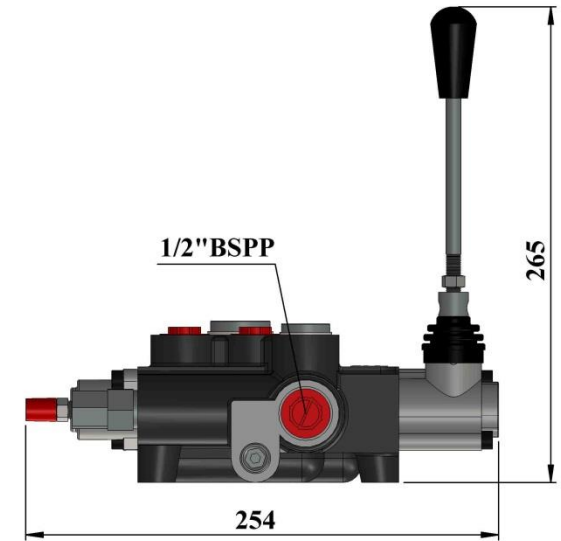
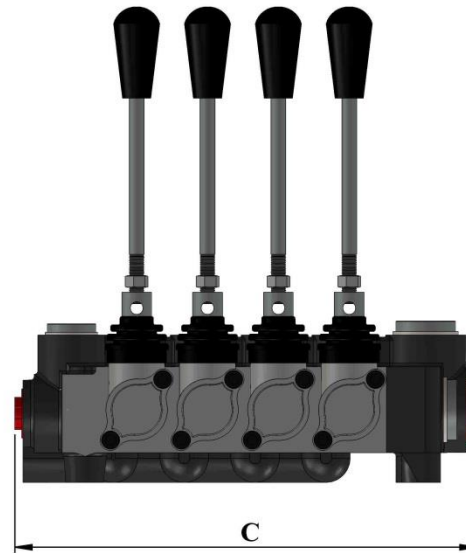
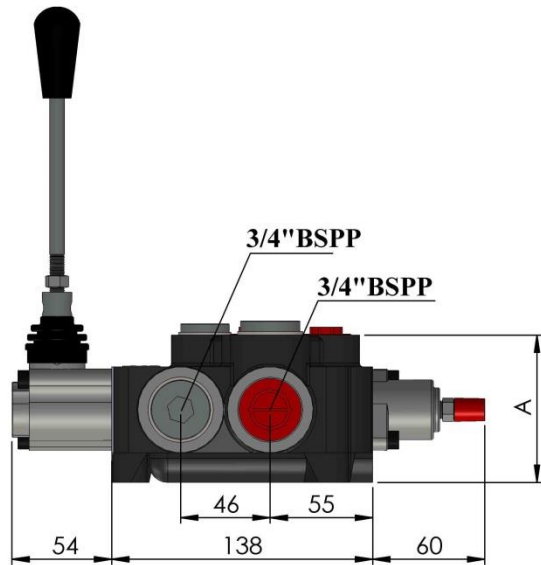
| SPOOL CONTROL ON "A" PORT | | | |
|---------------------------|----------------|--|-----------------|
| CODE | CONTROL SCHEME | DESCRIPTION | GENERAL DRAWING |
| 1 | | 2 positions; '1+2' spring, still at '2' | |
| 2 | | 3 positions; '1' detent, '2' spring | |
| 3 | | 3 positions; '1' spring, '2' detent | |
| 4 | | 2 positions; '2' spring | |
| 5 | | 2 positions; '1' spring | |
| 6 | | 2 positions; '1+2' spring, still at '1' | |
| 7 | | 3 positions; '1+2+3' detent | |
| 8 | | 3 positions; standard spring return | |
| 9 | | 2 positions; '0+1' detent | |
| 10 | | 2 positions; '0+2' detent | |
| 11 | | 2 positions; '1+2' detent | |
| 8P | | Spring-centered on/off pneumatic control Pressure 5~10 bar (72~145 psi) | |
| 8H | | Spring-centered on/off hydraulic control Pressure 6~20 bar (87~290 psi) | |
| 8HE | | Spring-centered on/off electrical hydraulic control Pressure 6~20 bar (87~290 psi) | |
| E | | Microswitch | |

SPOOL CONTROL 5

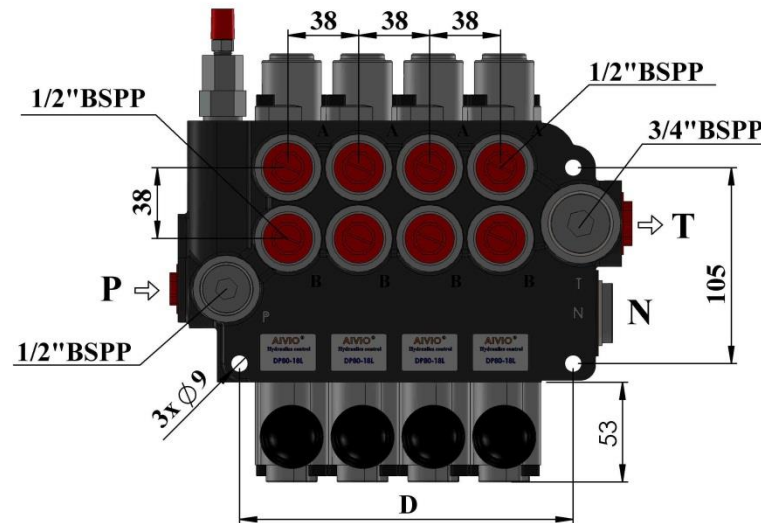
| SPOOL CONTROL ON "B" PORT | | | |
|---------------------------|---|--|---|
| CODE | CONTROL SCHEME | DESCRIPTION | GENERAL DRAWING |
| L |  | Standard control hand lever vertical |  |
| L1 |  | Standard control hand lever can be turned 180° |  |
| L2 |  | Standard control hand lever vertical |  |
| L3 |  | Standard control hand lever can be turned 180° |  |

SPOOL CONTROL 6

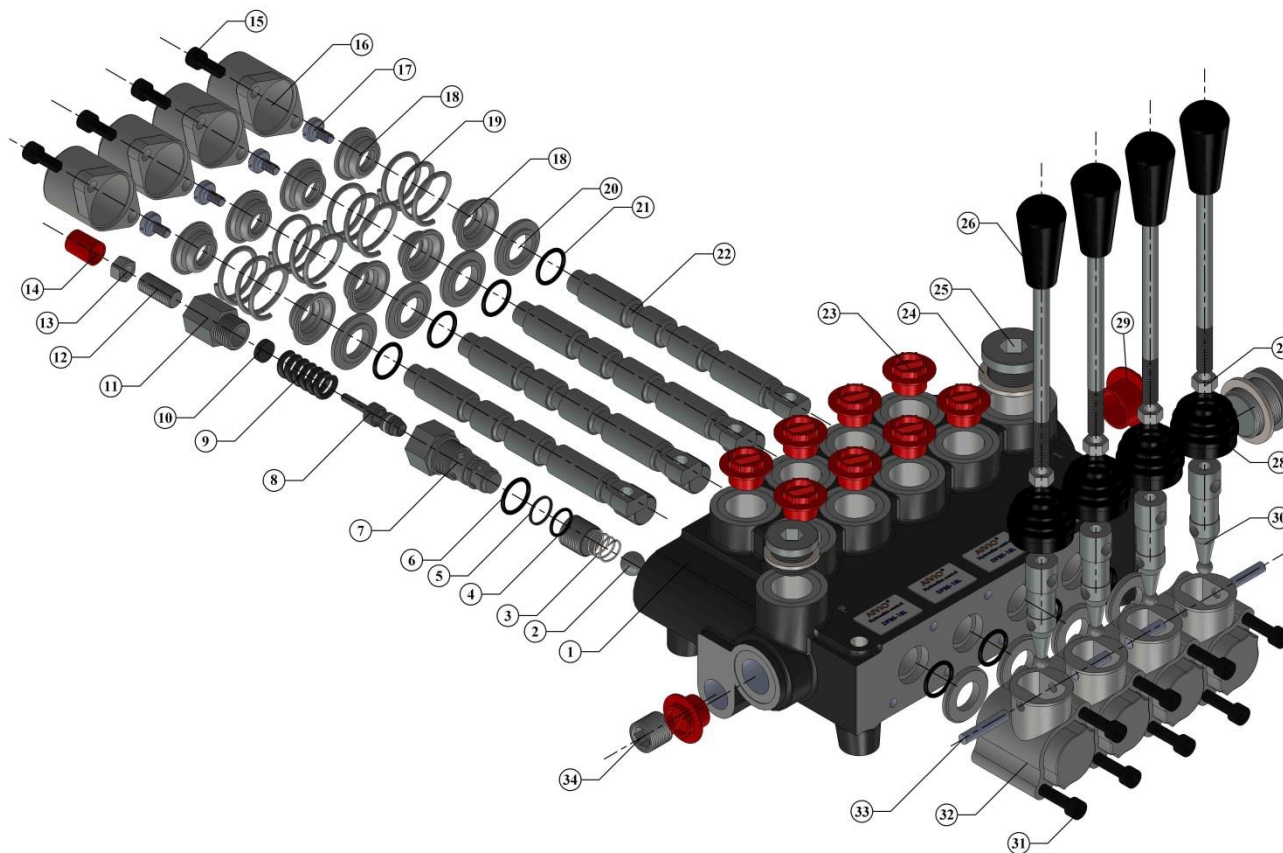




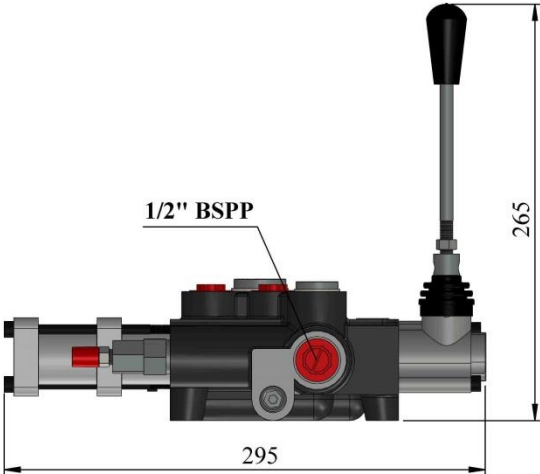
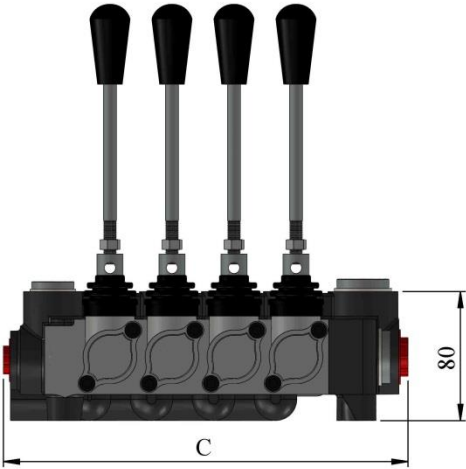
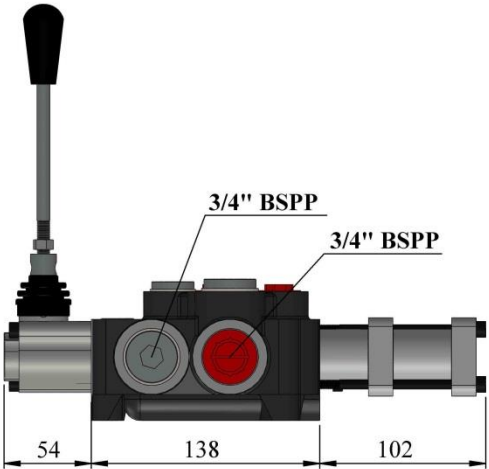
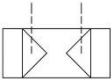
| DESCRIPTION | C (mm) | D (mm) |
|-------------|--------|--------|
| DP80/1P | 107 | 65 |
| DP80/2P | 160 | 103 |
| DP80/3P | 198 | 141 |
| DP80/4P | 236 | 179 |
| DP80/5P | 274 | 217 |
| DP80/6P | 312 | 255 |



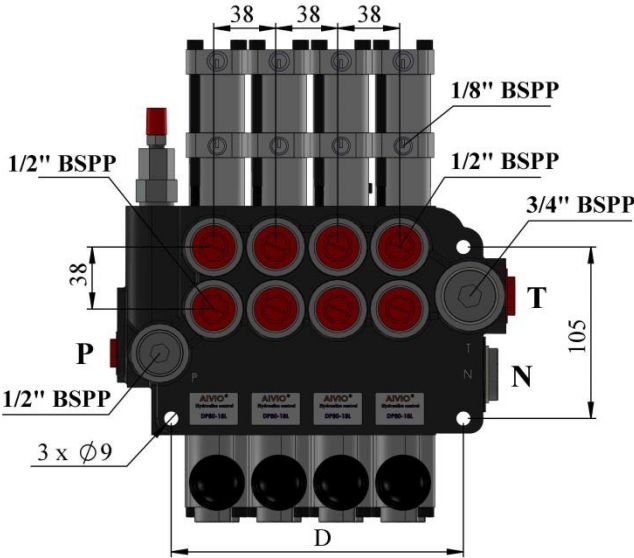
| NO. | Description | Part Number | Qty |
|-----|--------------------|-------------|--------|
| 1 | Body | 40108001 | 1 |
| 2 | Ball | 40108002 | 1 |
| 3 | Spring | 40108003 | 1 |
| 4 | O-ring | 40108004 | 1 |
| 5 | Plastic plate | 40108005 | 1 |
| 6 | O-ring | 40108006 | 1 |
| 7 | Body, Cartridge | 40108007 | 1 |
| 8 | Plunger | 40108008 | 1 |
| 9 | Spring | 40108009 | 1 |
| 10 | Pressure Cap | 40108010 | 1 |
| 11 | Body | 40108011 | 1 |
| 12 | 10mm adjust screw | 40108012 | 1 |
| 13 | 10mm nut | 40108013 | 1 |
| 14 | Screw cap | 40108014 | 1 |
| 15 | M6x15 TAP screw | 40108015 | 2x*P |
| 16 | Spring cap end | 40108016 | 1x*P |
| 17 | Screw | 40108017 | 1x*P |
| 18 | Spring cap | 40108018 | 2x*P |
| 19 | Spring | 40108019 | 1x*P |
| 20 | Steel ring | 40108020 | 1x*P |
| 21 | O-ring | 40108021 | 1x*P |
| 22 | Valve spool | 40108022 | 1x*P |
| 23 | 1/2" plastic cap | 40108023 | 2x*P |
| 24 | Plug | 40108024 | 3 |
| 25 | 3/4" BSPP plug | 40108025 | 3 |
| 26 | Control hand lever | 40108026 | 1x*P |
| 27 | 8mm nut | 40108027 | 1x*P |
| 28 | Rubber cover | 40108028 | 1x*P |
| 29 | 3/4" Plastic cap | 40108029 | 2 |
| 30 | Stroke plunger | 40108030 | 1x*P |
| 31 | M6x50 TAP screw | 40108031 | 2x*P |
| 32 | Lever Cap | 40108032 | 1x*P |
| 33 | 6mm Pin | 40108033 | 1x*P |
| 34 | 1/2" Screw plug | 40108034 | 1+1x*P |



Pneumatic Control 8P



| DESCRIPTION | L (mm) | M (mm) |
|-------------|--------|--------|
| DP80/1P | 107 | 65 |
| DP80/2P | 160 | 103 |
| DP80/3P | 198 | 141 |
| DP80/4P | 236 | 179 |
| DP80/5P | 274 | 217 |
| DP80/6P | 312 | 255 |

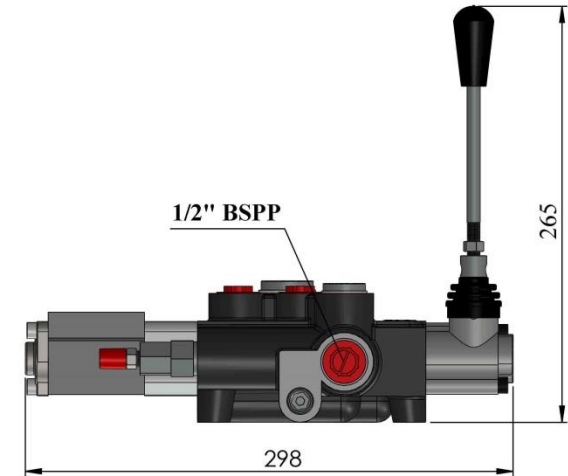
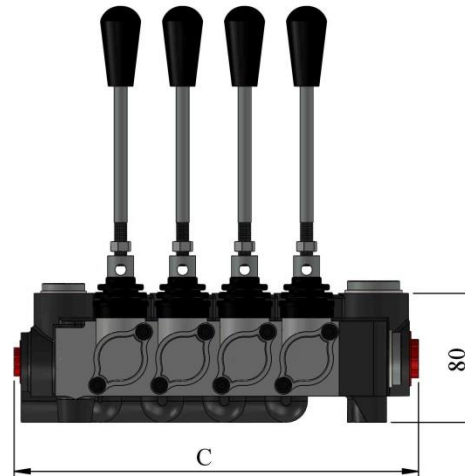
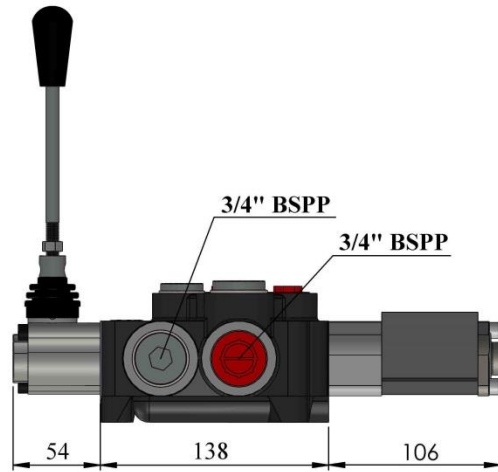
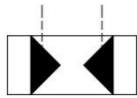


Pneumatic Control 8P

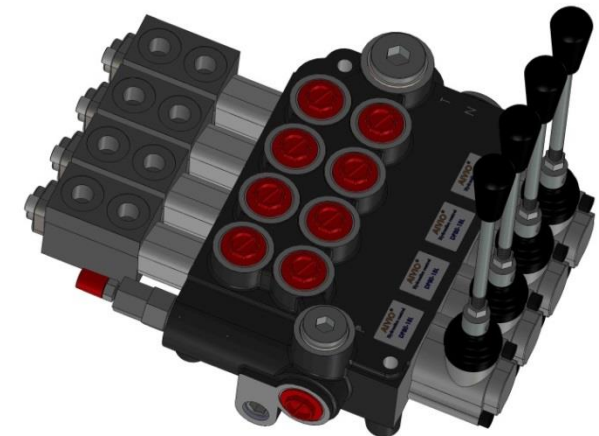
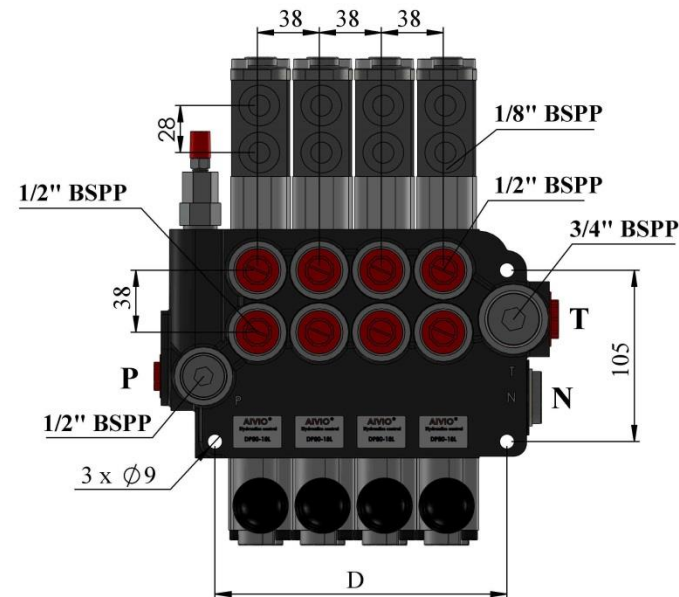
| Item NO. | Description-ENG | QTY |
|----------|-------------------------|-----|
| 1 | End-Spring | 2 |
| 2 | Spring | 1 |
| 3 | Connector housing | 1 |
| 4 | Special connector Screw | 1 |
| 5 | Control Spool | 1 |
| 6 | Body | 1 |
| 7 | Spool Housing | 1 |
| 8 | Cover | 1 |
| 9 | Screw | 2 |



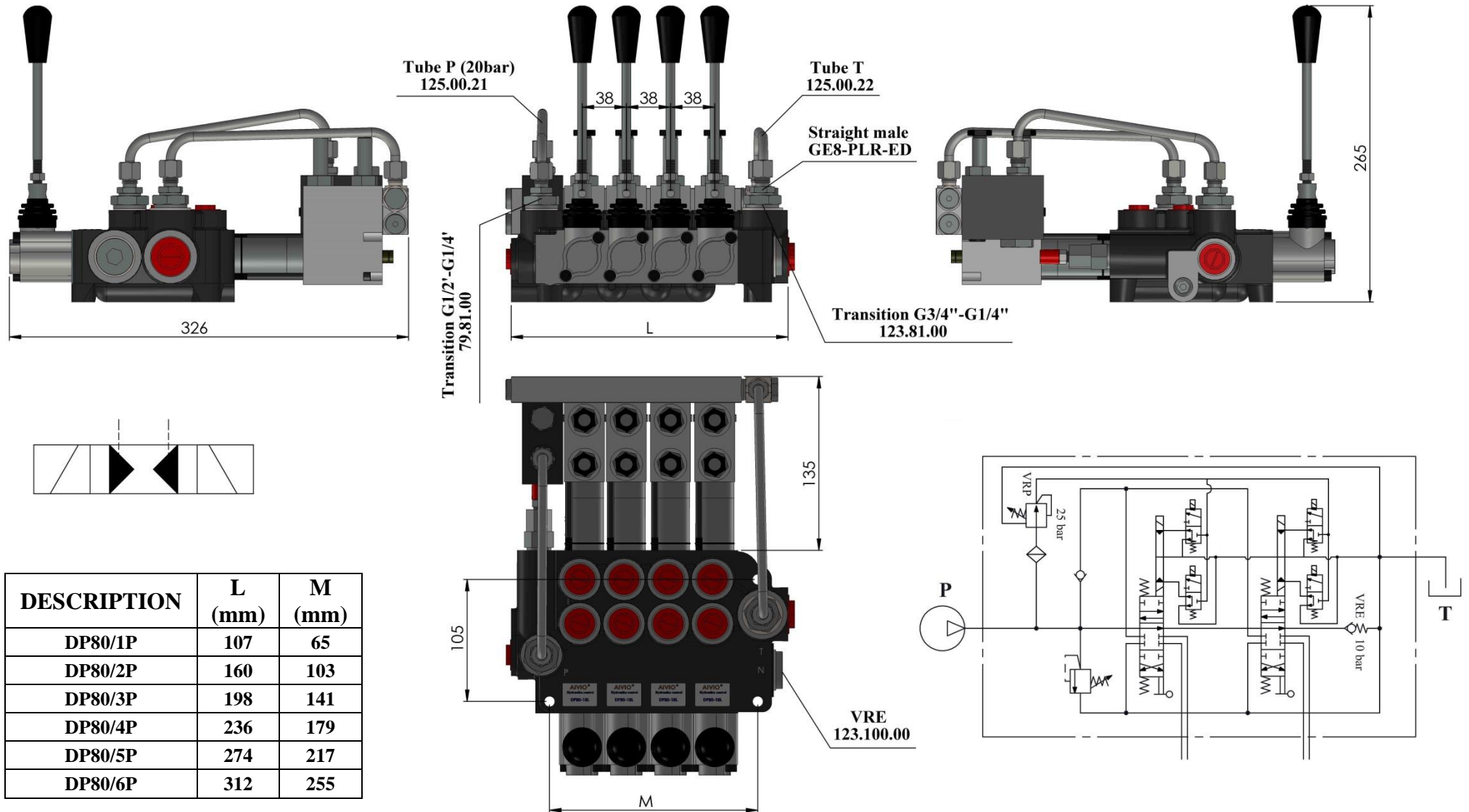
Hydraulic Control 8H



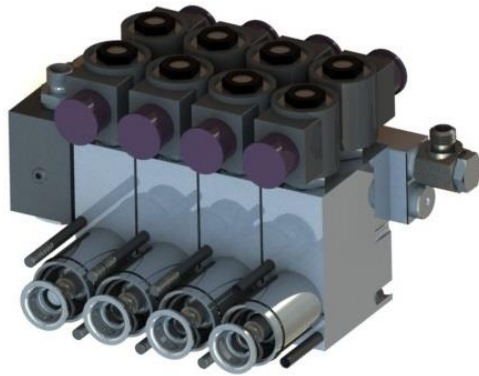
| DESCRIPTION | C (mm) | D (mm) |
|-------------|--------|--------|
| DP80/1P | 107 | 65 |
| DP80/2P | 160 | 103 |
| DP80/3P | 198 | 141 |
| DP80/4P | 236 | 179 |
| DP80/5P | 274 | 217 |
| DP80/6P | 312 | 255 |



Electrical-Hydraulic Control 8HE



| Item NO. | Part NO. | Description-ENG | QTY |
|----------|--------------|------------------------------|-----|
| 1 | 129.56.00.01 | Collector CEED4/P80 | 1 |
| 2 | 79.90.00.00 | kit ED3 | 4 |
| 3 | - | Screw M5x40 | 10 |
| 4 | - | Plug metal DIN3852-E-G1/4 | 3 |
| 5 | - | ED-Ring G1/4 DIN3852 | 3 |



Hydraulic pilot pressure
min 6 bar
max 20 bar

Max pressure in T line: 25 bar

Solenoid operating features
Nominal voltage tolerance: $\pm 10\%$
Power rating: 24W
Duty cycle: 100%

