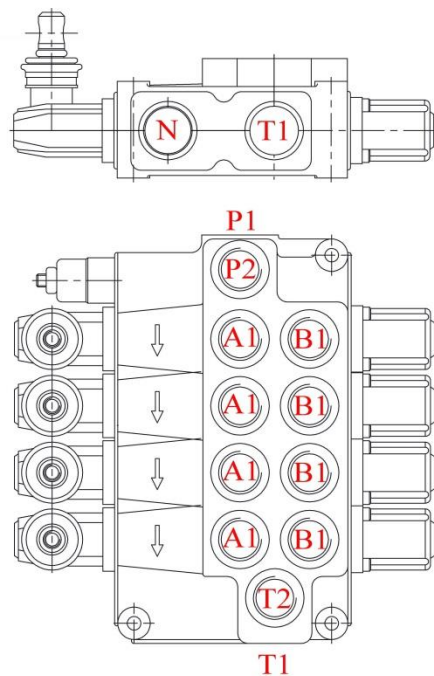
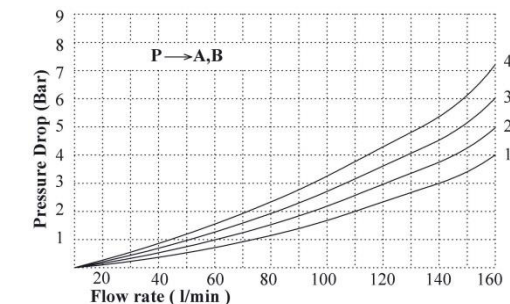
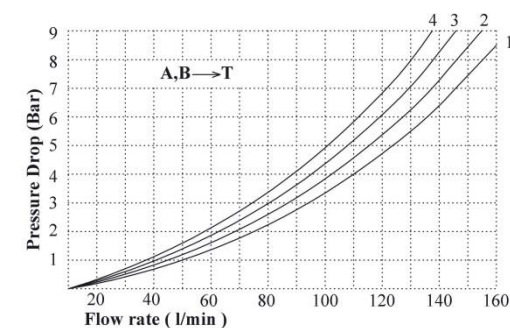
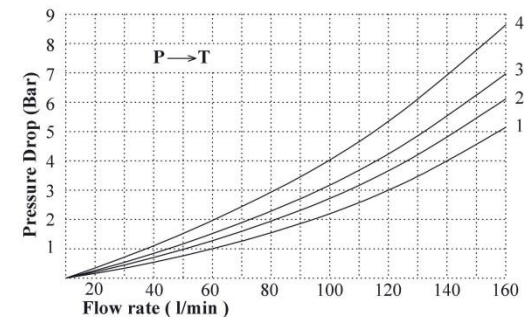


4015-30
DP120



Specifications:

1. Valve mono-block
2. Mounting: 3 bolts M10
3. Fluid medium: mineral oil based
4. Viscosity: 12~800mm²/s permissible range
5. Working temperature: -15°C~+80°C
6. Filtration: Oil contamination 10 to NAS1638
7. Max. operating pressure: P=250 bar
T=50 bar
A, B=300 bar
8. Leakage: 30cm³/min @ 100 Bar
9. Nominal flow: 120 to 140 l/min
10. Spool stroke: ±10mm
11. Actuating force: <300N in spool axis direction



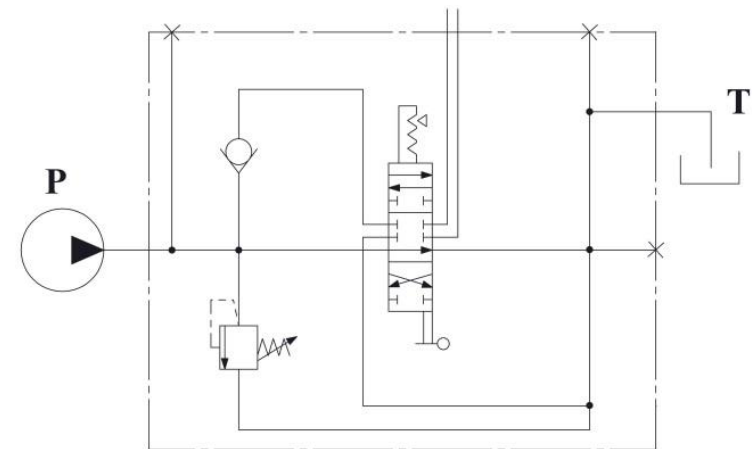
Description:

For starting, controlling and stopping the working fluid between the generator of pressured flow, the consumers and the tank.

TYPE	Max. flow l/min	Max. Pressure (bar)	P1 (BSPP)	P2 (BSPP)	T1/N (BSPP)	T2 (BSPP)	A (BSPP)	B (BSPP)	Net. Wt Approx.
DP120/1P-*	130	250	1"	1"	1"	1"	1"	1"	13.50
DP120/2P-*	130	250	1"	1"	1"	1"	1"	1"	18.50
DP120/3P-*	130	250	1"	1"	1"	1"	1"	1"	23.50
DP120/4P-*	130	250	1"	1"	1"	1"	1"	1"	28.0

ORDERING CODE**DP120^① / 2P^② – A^③ 8^④ L^⑤ – D^③ 8P^④ L^⑤ – R^⑥**

- ① Valve type
- ② Number of spool
- ③ First spool type
- ④ First spool control on 'A' port
- ⑤ First spool control on 'B' port
- ③ Second spool type
- ④ Second spool control on 'A' port
- ⑤ Second spool control on 'B' port
- ⑥ Outlet

STANDARD CIRCUIT

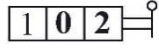
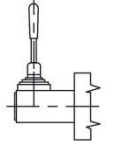
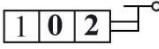
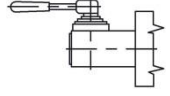
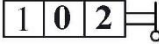
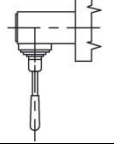
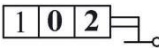
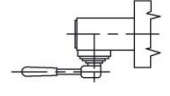
SPOOL CONTROL 3

CODE	CONTROL SCHEME	CODE	CONTROL SCHEME
A		M	
B		N	
C		O	
D		P	
E		Q	
F		R	
G		S	
H		T	

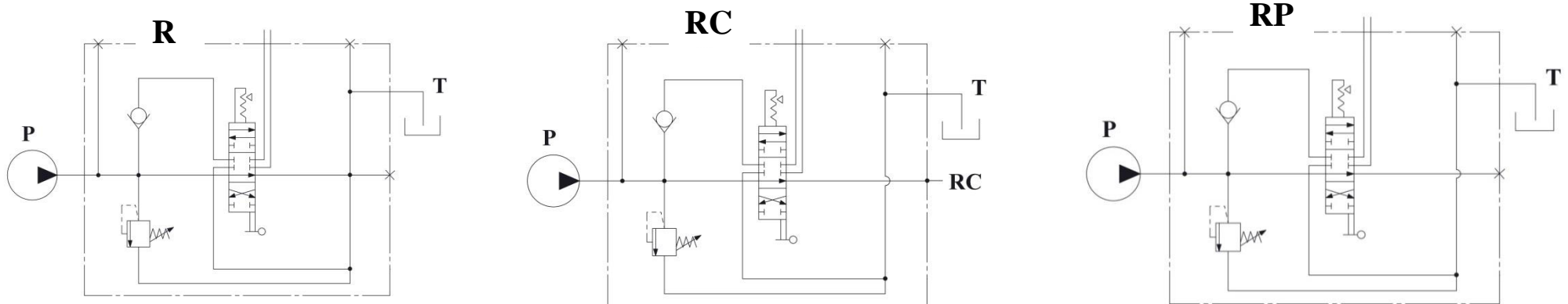
SPOOL CONTROL 4

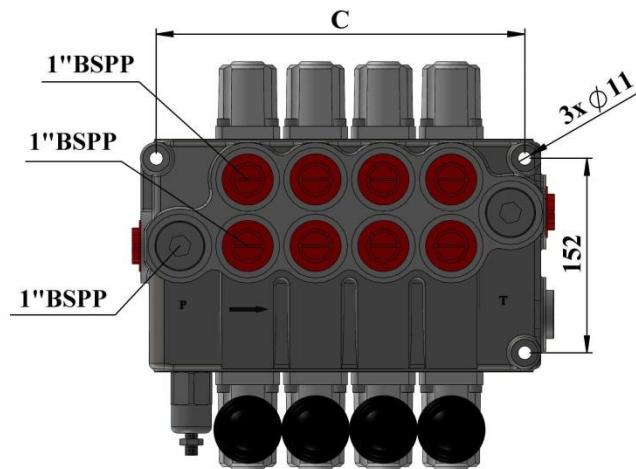
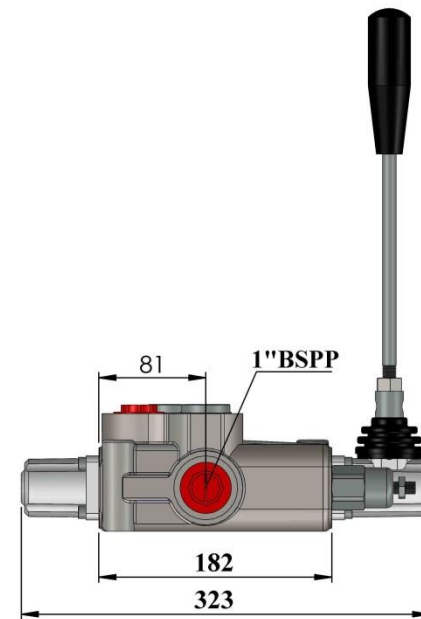
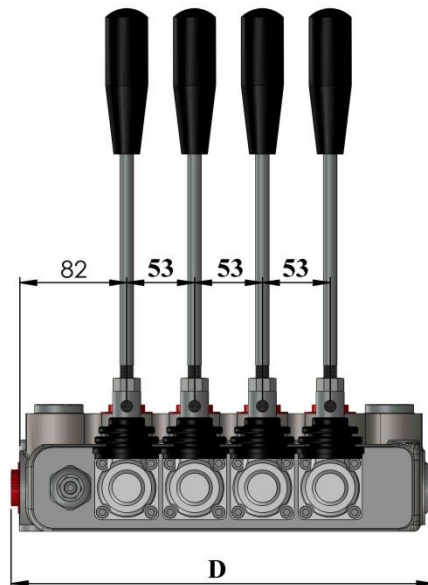
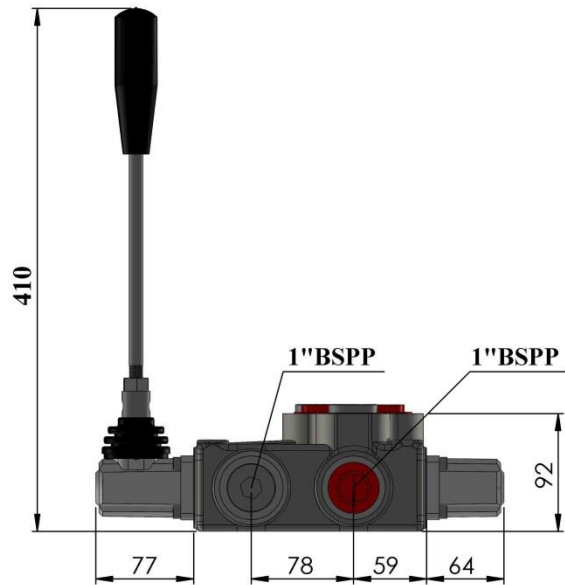
SPOOL CONTROL ON "A" PORT			
CODE	CONTROL SCHEME	DESCRIPTION	GENERAL DRAWING
1		2 positions; '1+2' spring, still at '2'	
2		3 positions; '1' detent, '2' spring	
3		3 positions; '1' spring, '2' detent	
4		2 positions; '2' spring	
5		2 positions; '1' spring	
6		2 positions; '1+2' spring, still at '1'	
7		3 positions; '1+2+3' detent	
8		3 positions; standard spring return	
9		2 positions; '0+1' detent	
10		2 positions; '0+2' detent	
11		2 positions; '1+2' detent	
8P		Spring-centered on/off pneumatic control Pressure 5~10 bar (72~145 psi)	
8H		Spring-centered on/off hydraulic control Pressure 6~20 bar (87~290 psi)	
8HE		Spring-centered on/off electrical hydraulic control Pressure 6~20 bar (87~290 psi)	
E		Microswitch	

SPOOL CONTROL 5

SPOOL CONTROL ON "B" PORT			
CODE	CONTROL SCHEME	DESCRIPTION	GENERAL DRAWING
L		Standard control hand lever vertical	
L1		Standard control hand lever can be turned 180°	
L2		Standard control hand lever vertical	
L3		Standard control hand lever can be turned 180°	

SPOOL CONTROL 6

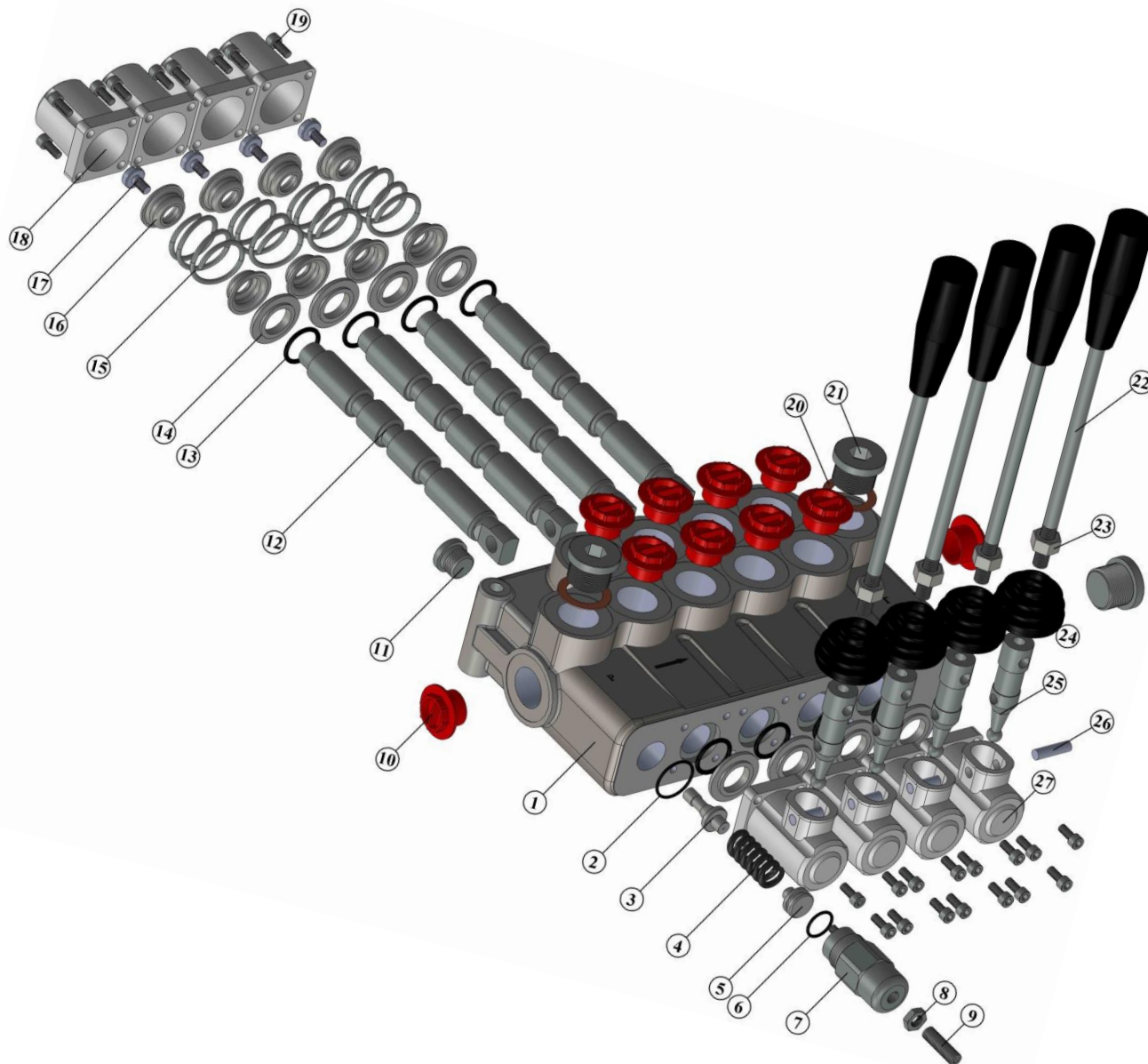




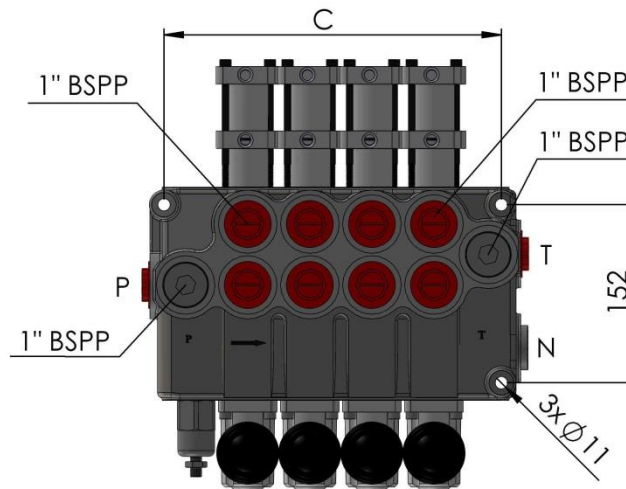
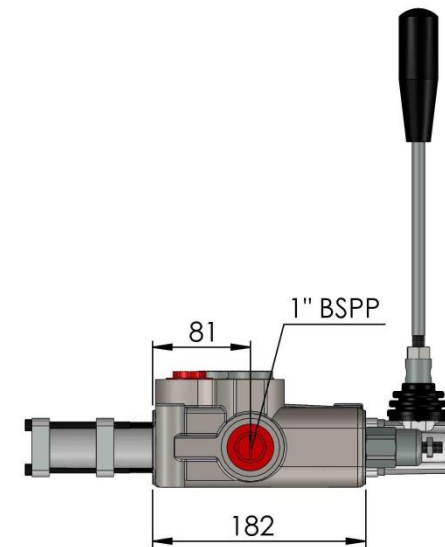
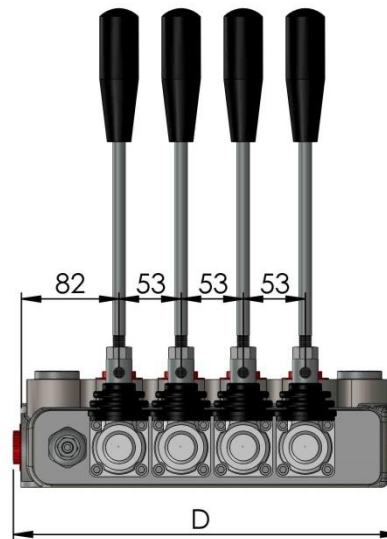
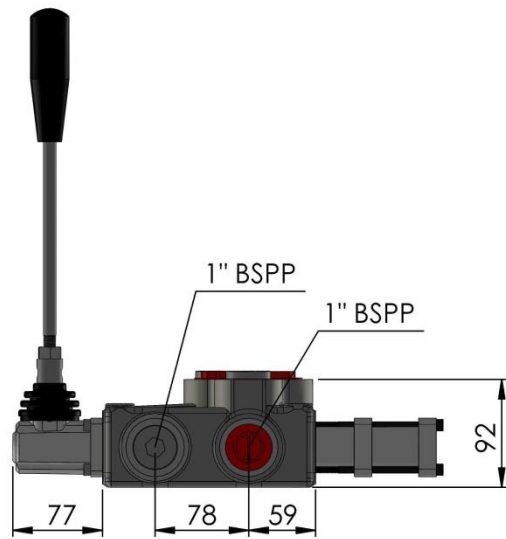
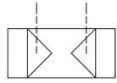
DESCRIPTION	C (mm)	D (mm)
DP120/1P	129	160
DP120/2P	182	213
DP120/3P	235	266
DP120/4P	288	319



NO.	Description	Part Number	Qty
1	Body	401512001	1
2	O-ring	401512002	1
3	Plunger	401512003	1
4	Spring	401512004	1
5	Pressure Cap	401512005	1
6	O-ring	401512006	1
7	Body, Cartridge	401512007	1
8	12 mm nut	401512008	1
9	10 mm adjust screw	401512009	1
10	1" plastic cap	401512010	2+2x*P
11	1/2" BSPP plug	401512011	1
12	Valve spool	401512012	1x*P
13	O-ring	401512013	2x*P
14	Steel ring	401512014	2x*P
15	Spring	401512015	1x*P
16	Spring cap	401512016	2x*P
17	Screw	401512017	1x*P
18	Spring cap end	401512018	1x*P
19	M6 x 15 TAP screw	401512019	8x*P
20	Plug	401512020	2
21	1" Plug	401512021	3
22	Control hand lever	401512022	1x*P
23	12 mm nut	401512023	1x*P
24	Rubber cover	401512024	1x*P
25	Stroke plunger	401512025	1x*P
26	8mm Pin	401512026	1x*P
27	Lever cap	401512027	1x*P

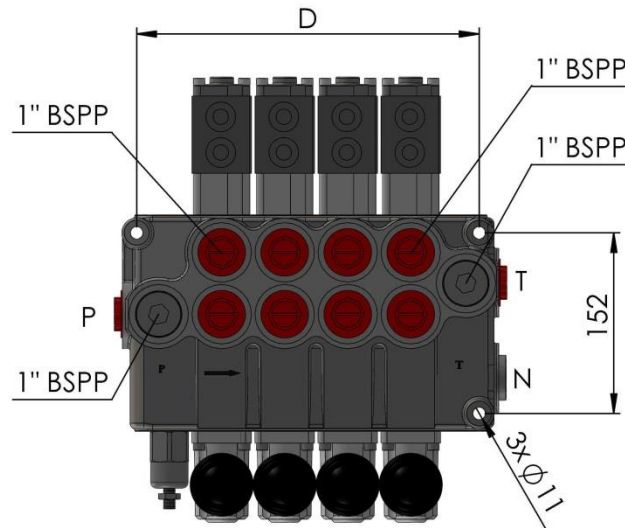
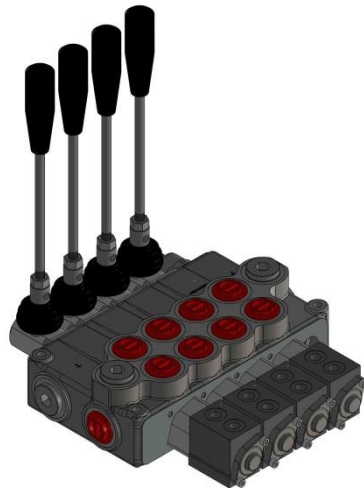
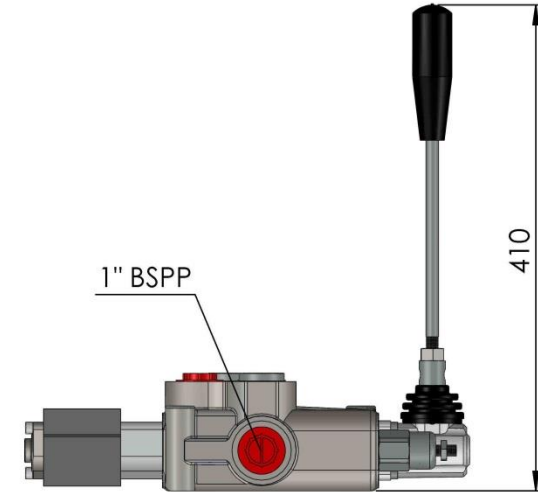
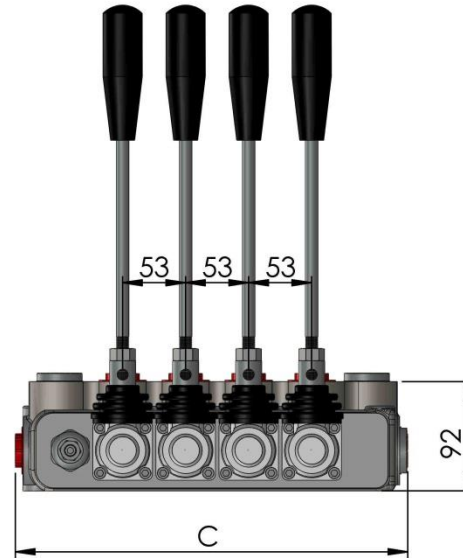
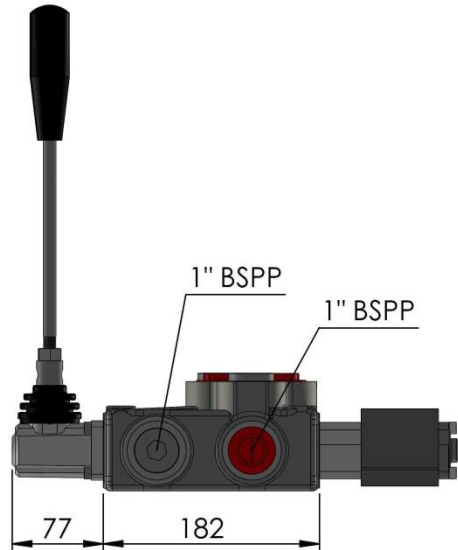
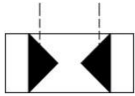


Pneumatic Control 8P



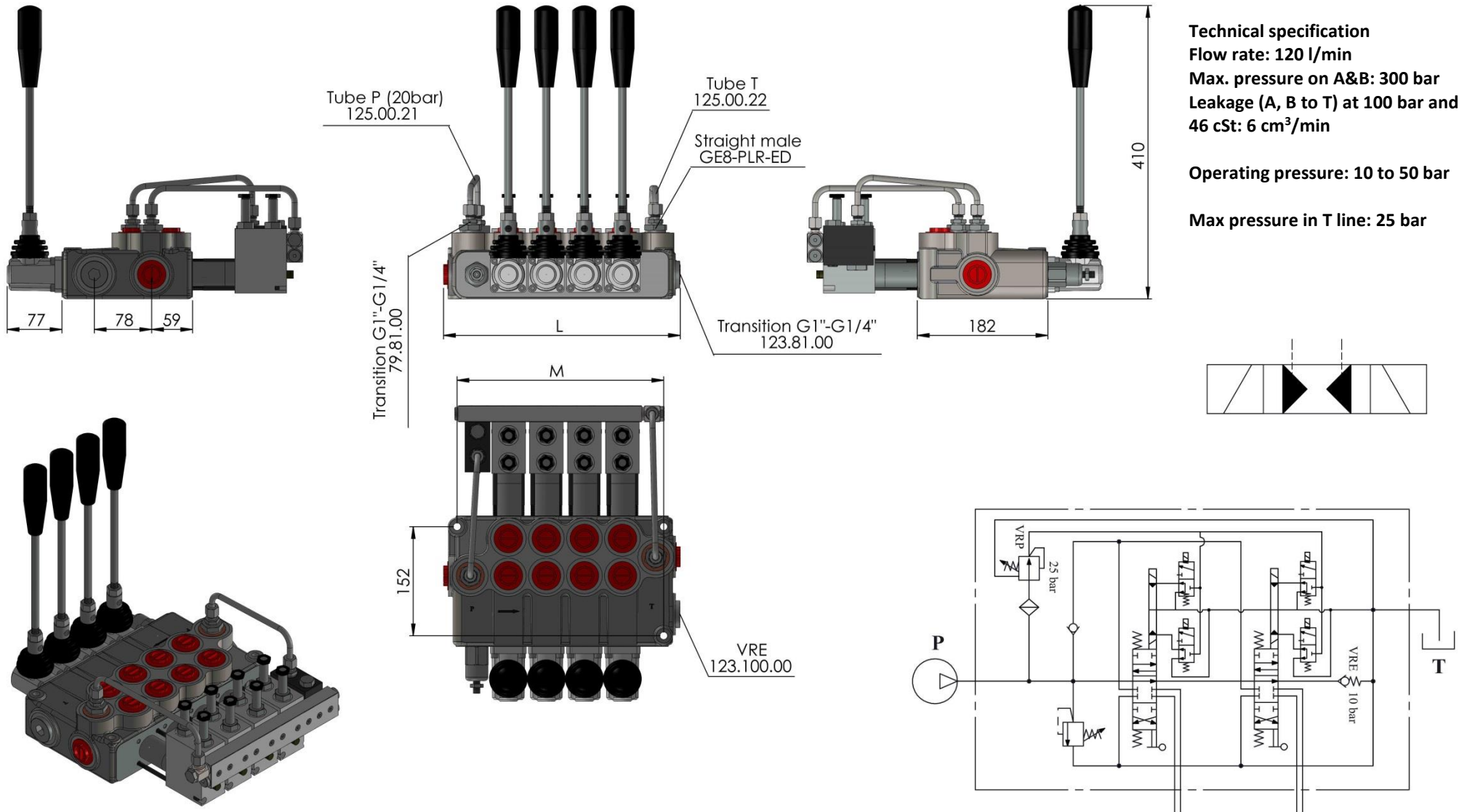
DESCRIPTION	C (mm)	D (mm)
DP120/1P	129	160
DP120/2P	182	213
DP120/3P	235	266
DP120/4P	288	319

Hydraulic Control 8H

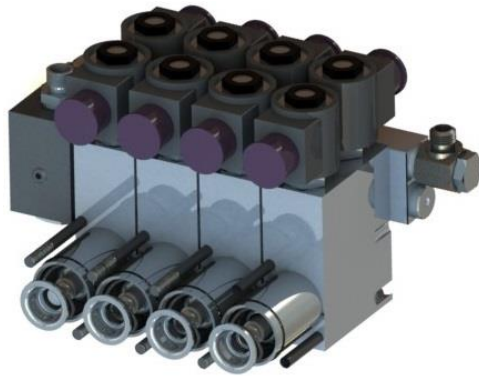


DESCRIPTION	C (mm)	D (mm)
DP120/1P	160	129
DP120/2P	213	182
DP120/3P	266	235
DP120/4P	319	288

Electrical-Hydraulic Control 8HE



Item NO.	Part NO.	Description-ENG	QTY
1	129.56.00.01	Collector CEED4/P80	1
2	79.90.00.00	kit ED3	4
3	-	Screw M5x40	10
4	-	Plug metal DIN3852-E-G1/4	3
5	-	ED-Ring G1/4 DIN3852	3



Hydraulic pilot pressure
min 6 bar
max 20 bar

Max pressure in T line: 25 bar

Solenoid operating features
Nominal voltage tolerance: $\pm 10\%$
Power rating: 24W
Duty cycle: 100%

