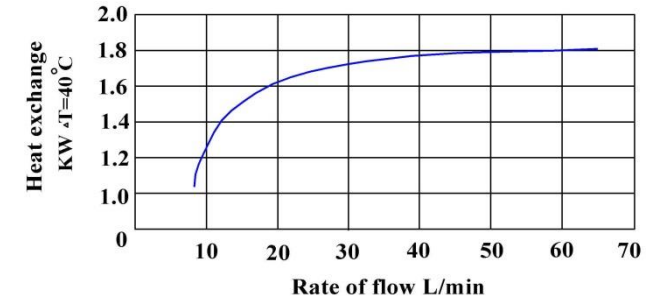
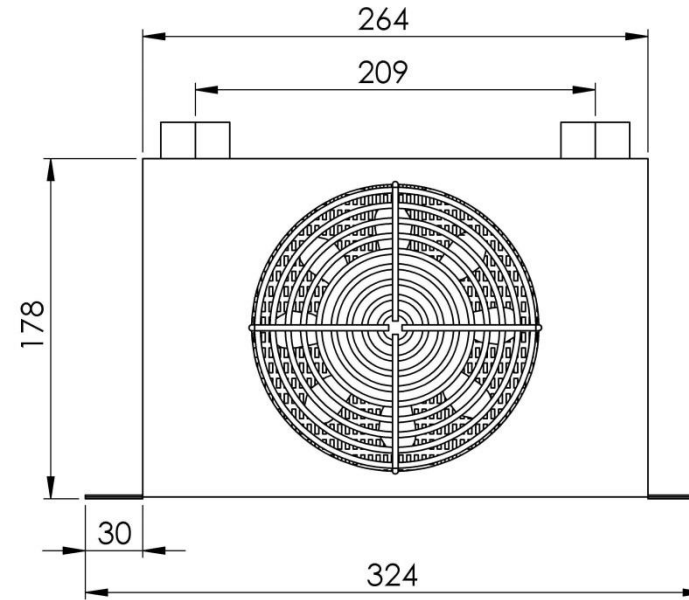
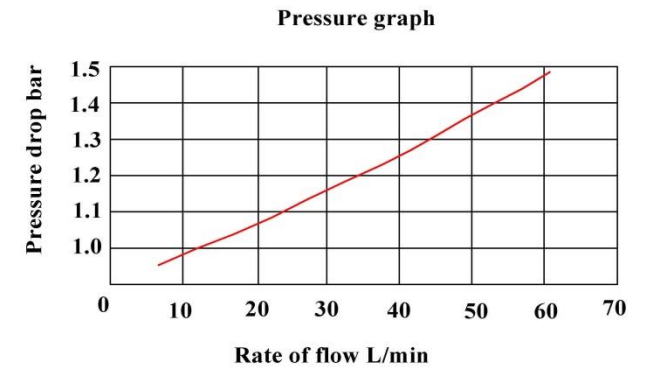
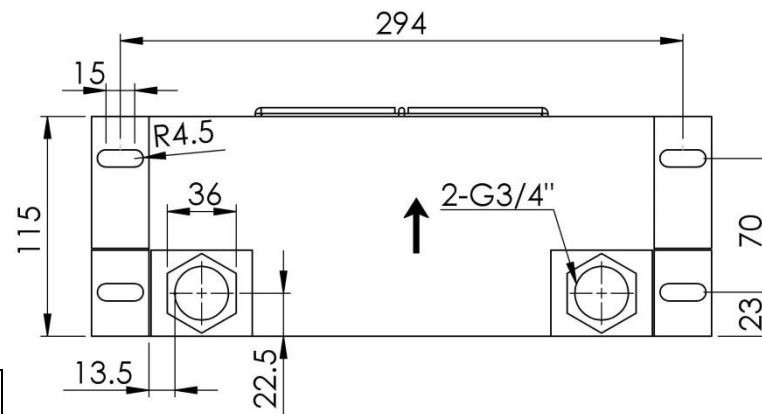


60-0608.000S.11
CAH060T



Thermostat needs order separately
Mounting support needs order separately

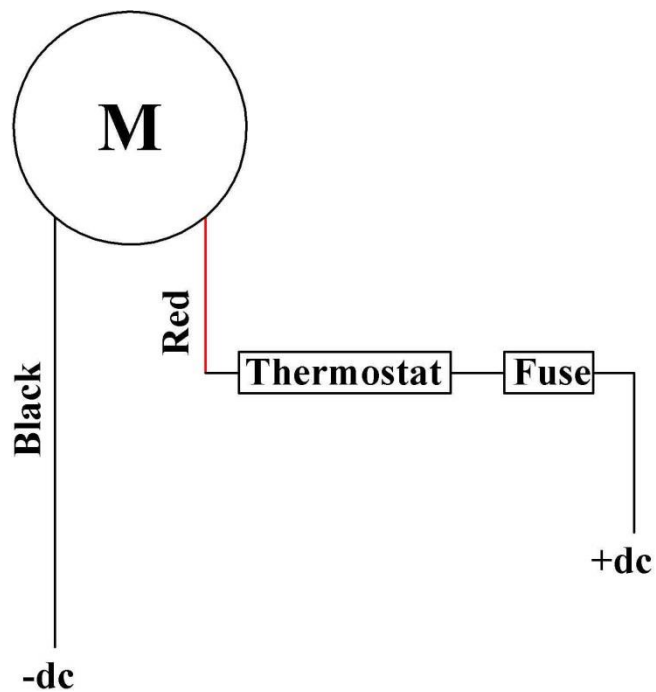
Maximum working pressure: 16 bar
Maximum working temperature: 100°C
Range of oil flow for maximum efficiency: 10~60 l/min



TYPE	Description	Wt. (kg) approx.
CAH060T	24VDC / 220VAC 380VAC / 415VAC	4.5

ELECTRICAL CONNECTION

12~24 Vdc

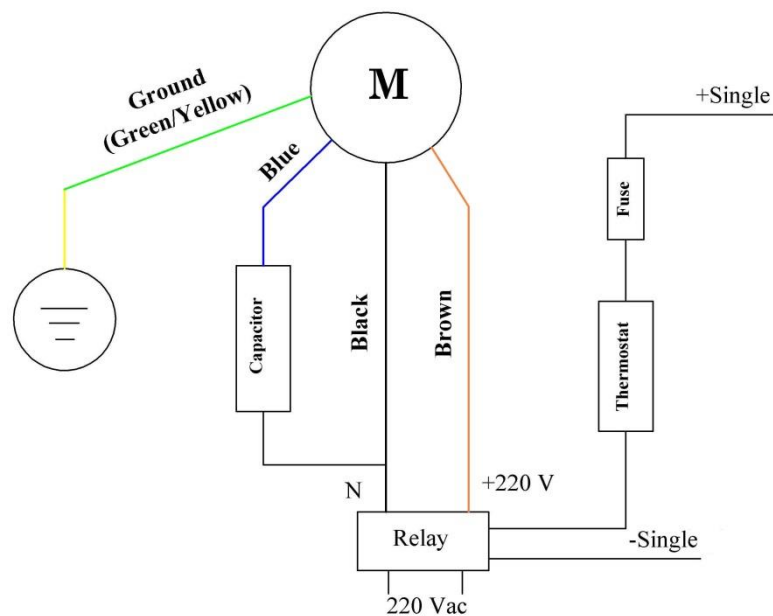


TYPE	Description	Rated power (W)	Current (A)	dB	Fan Speed (r/min)	Q air (m ³ /h)
CAH060T	24DC (Drawing)	60	5.5	55	3000	100

Voltage: 24V

ELECTRICAL CONNECTION

220 Vac single-phase



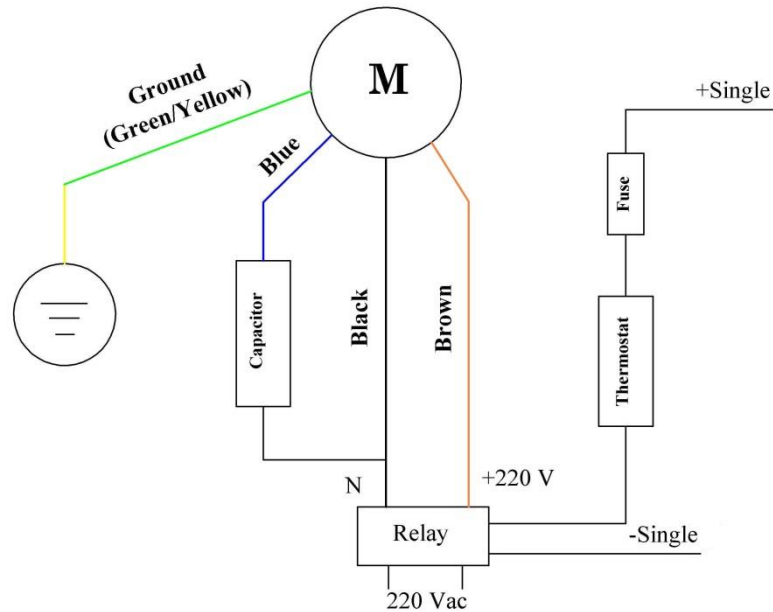
TYPE	Description	Rated power (W)	Current (A)	dB	Fan Speed (r/min)	Q air (m ³ /h)
CAH060T	220V Single-phase Fan (Drawing)	100	0.51	60	2450	100

Voltage: 220V

Frequency: 50/60 Hz

ELECTRICAL CONNECTION

220 Vac single-phase



TYPE	Description	Rated power (W)	Current (A)	dB	Fan Speed (r/min)	Q air (m ³ /h)
CAH060T	380V Three-phases Fan (Drawing)	34	0.11	60	2450	100

Voltage: 380V

Frequency: 50/60 Hz