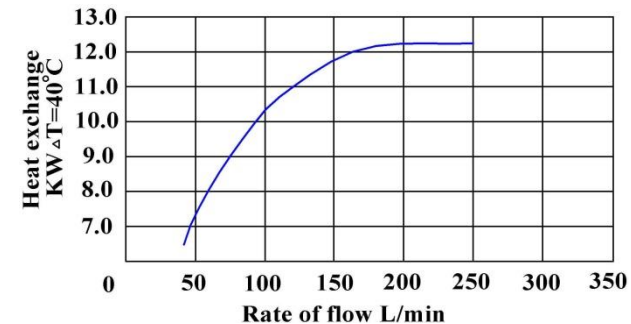
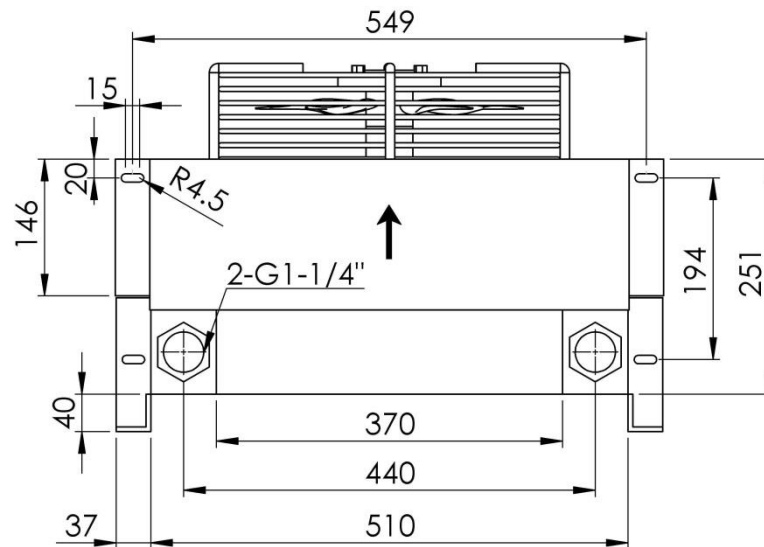
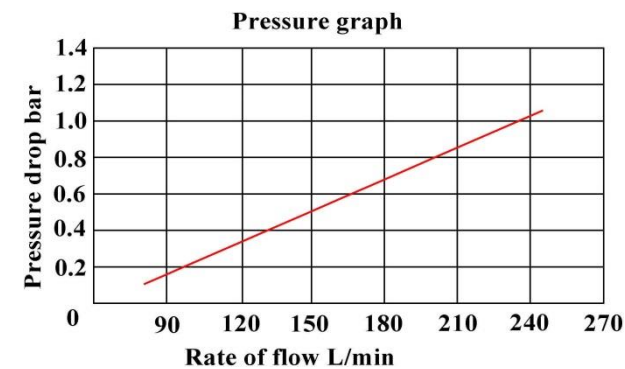
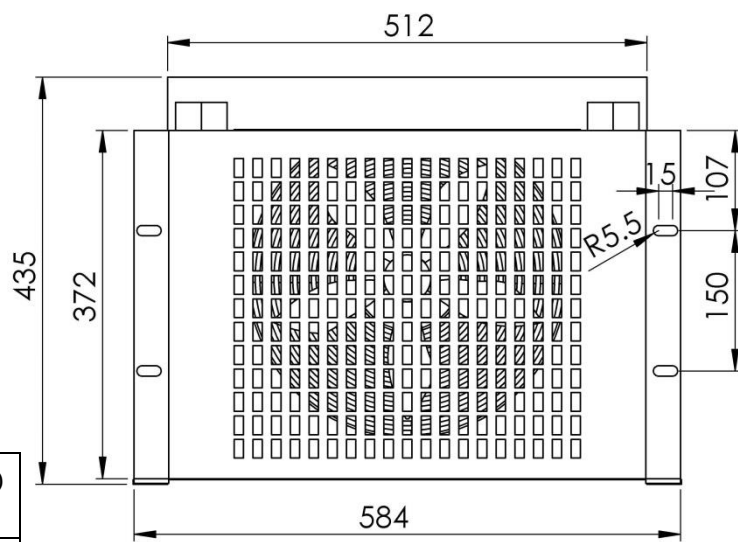


60-2500.024S.11
CAH250T-24DC



Thermostat needs order separately
Mounting support needs order separately

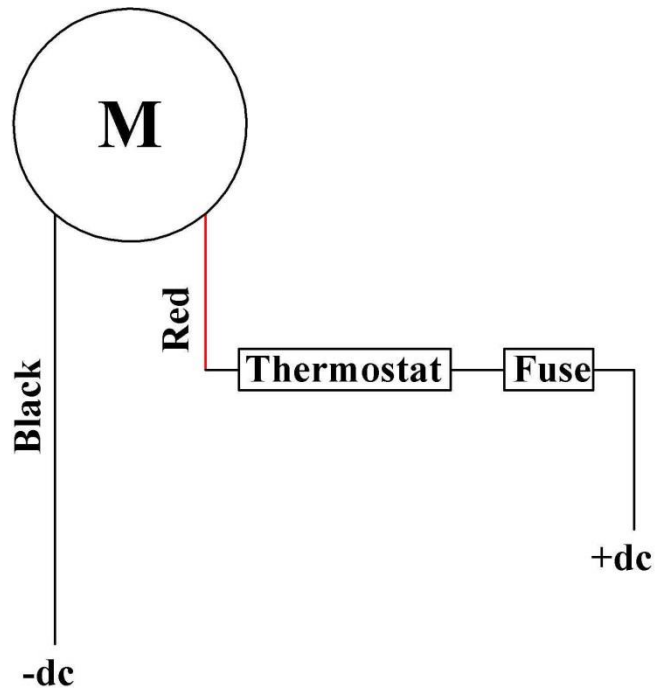
Maximum working pressure: 16 bar
Maximum working temperature: 100°C
Range of oil flow for maximum efficiency: 50~250 l/min



TYPE	Description	Wt. (kg) approx.
CAH250T	24DC / 220VAC 380VAC / 415VAC	26

ELECTRICAL CONNECTION

12~24 Vdc

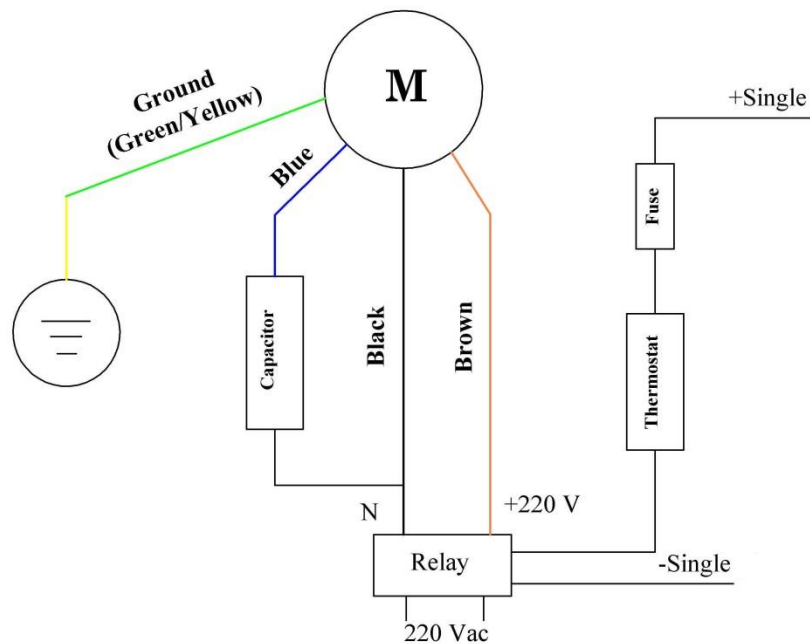


TYPE	Description	Rated power (W)	Current (A)	dB	Fan Speed (r/min)	Q air (m ³ /h)
CAH250T	24DC (Drawing)	150	6.5	68	1900	250

Voltage: 24V

ELECTRICAL CONNECTION

220 Vac single-phase

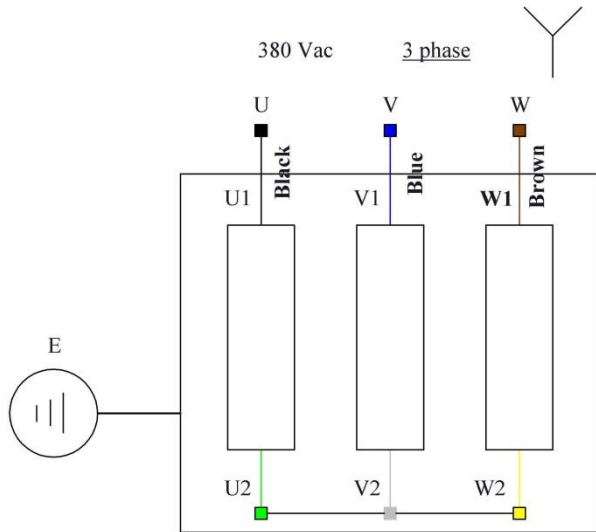


TYPE	Description	Rated power (W)	Current (A)	dB	Fan Speed (r/min)	Q air (m ³ /h)
CAH250T	220V Single-phase Fan (Drawing)	150	0.70	50	1380	250

Voltage: 220V

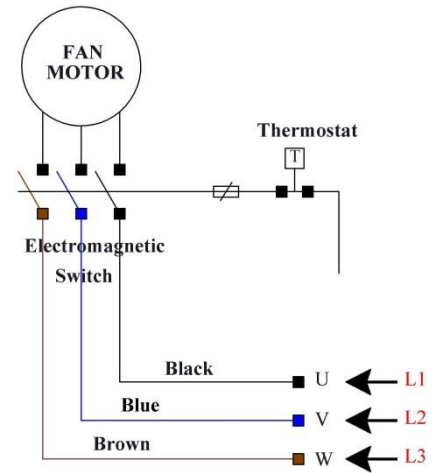
Frequency: 50/60 Hz

STAR CONNECTION



ELECTRICAL CONNECTION

With electromagnetic switch and thermostat



U1(Black) V1(Blue) W1(Brown) U2(Green) V2(White) W2(Yellow) E(Green/Yellow)

(applicable to ebm-Gemany motor only) (inter change any two phase power supply to change the rotation of the motor fan)

TYPE	Description	Rated power (W)	Current (A)	dB	Fan Speed (r/min)	Q air (m ³ /h)
CAH250T	380V Three-phases Fan (Drawing)	55	0.18	50	1420	100

Voltage: 380V

Frequency: 50/60 Hz