

BELL HOUSING & COUPLING SET



The LMC series monoblock lanterns, are utilized such as connecting elements between UNEL MEC electric motor B3-B5 and a wide range of hydraulic pumps available on the international market.

With special mechanical workings can become motor bases on which you can mount standard flanges MP Filtri production S.P.A (MODUL-2).

Thanks to the great flexibility and wide range of flanges, pump monobloc lanterns LMC series satisfy most applications, with a range of use from 0.5 kW electric motors Gr. 80, up to 30 kW electric motors 200 grams.

Technical features MONOBLOC LANTERNS

Materials

- Monobloc Lantern-cast aluminium alloy.
- Pump Flange die-cast aluminium alloy.
- Mounting feet die-cast aluminium alloy.

Operating temperature

- ambient temperature -30°C - $+80^{\circ}\text{C}$
for values outside this range,
consult the technical department.

Fluid compatibility

- **Monobloc Lanterns that are compatible for use with mineral oils**

Type HH-HL-HM-HR-HV-HG sec.ISO 6743/4

Aqueous Emulsions HFAE

Type – HFAS sec. ISO 6743/4

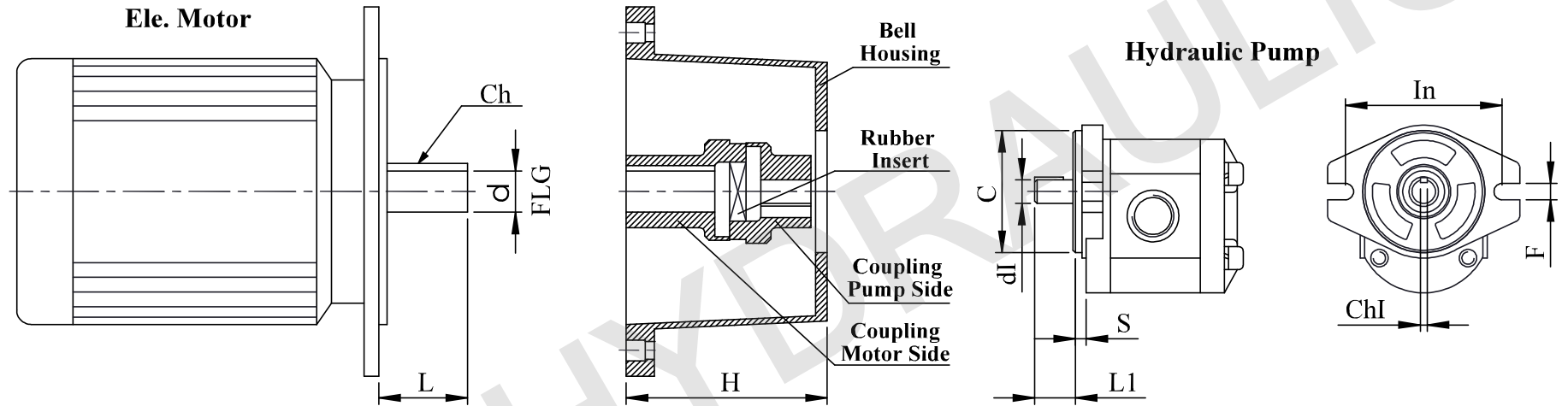
Glycol Water

Type HFC sec. ISO 6743/4

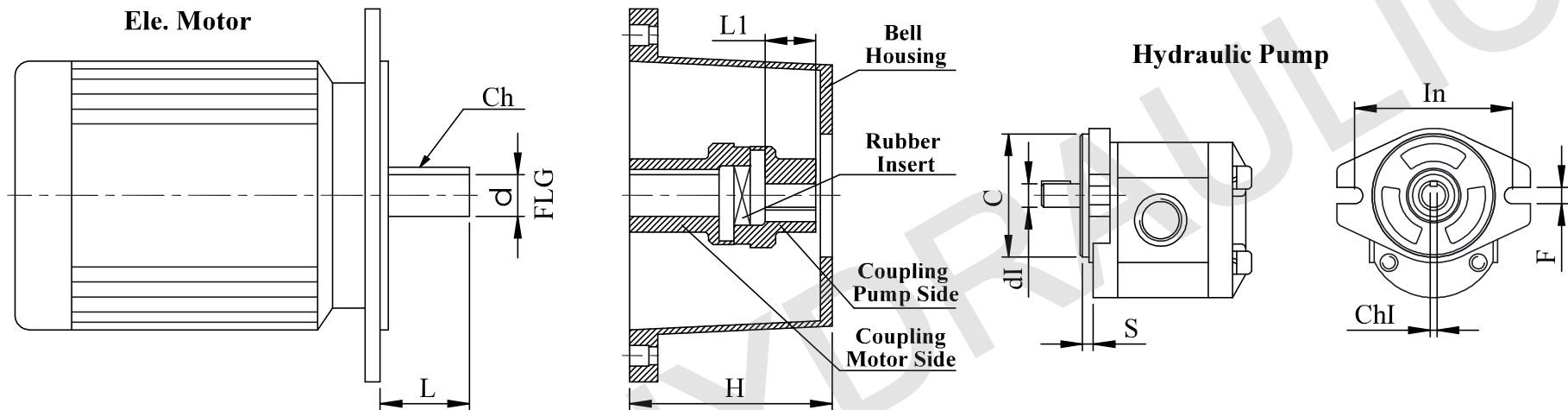
Anodized execution Request.

Special applications

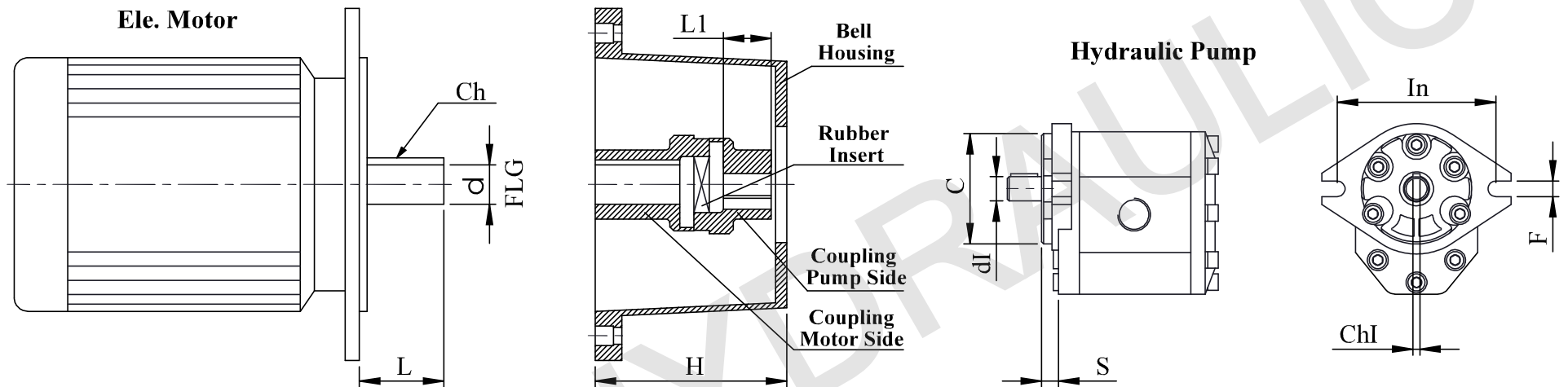
- all applications that do not fall within normal expected fees from this catalogue have to be assessed and approved by the technical department.



Description Code No.	Ele. Motor 4 Pole	Bell Housing		Coupling Motor Side				Coupling Pump Side							Rubber Insert	
		Type	H	Type	L	Ch	d	Type	L1	S	C	dI	In	ChI		F
AKMM01Z1501FG	0.5~0.75 kw	LMC200.AFSJ050	100	SGEA21M.03040	40	6	19	SGEA21H.09023	19	6.4	50.8	12.7	82.55	3.18	10.3	EGE2
AKMM02Z1501	1.1~1.5 kw	LMC200.AFSJ050	100	SGEA21M.04036	50	8	24	SGEA21H.09023	19	6.4	50.8	12.7	82.55	3.18	10.3	EGE2
AKMM03Z1501FG	2.2~4 kw	LMC250.AFSQ050	136	SGEA21M.05055	60	8	28	SGEA21H.09023	19	6.4	50.8	12.7	82.55	3.18	10.3	EGE2



Description Code No.	Ele. Motor 4 Pole	Bell Housing		Coupling Motor Side				Coupling Pump Side						Rubber Insert		
		Type	H	Type	L	Ch	d	Type	L1	S	C	dI	In		ChI	F
AKMM02K0066FG	1.5 kw	LMC200.AFSW060	125	SGEA21M.04050	50	8	24	SGEA21L.00045	45	8	82.55	15.87	106.4	3.97	11.1	EGE2
AKMM03Z1123	2.2~4 kw	LMC250.AFSQ060	136	SGEA21M.05060	60	8	28	SGEA21L.00045	45	8	82.55	15.87	106.4	3.97	11.1	EGE2
AKMM04Z1123FG	5.5~7.5 kw	LMC300.AFST060	155	SGEA31M.06077	80	10	38	SGEA31L.00040	40	8	82.55	15.87	106.4	3.97	11.1	EGE3
AKMM05Z1123FG	11~15 kw	LMC350.AFSY060	178	SGEA31M.07079	110	12	42	SGEA31L.00040	40	8	82.55	15.87	106.4	3.97	11.1	EGE3
AKMM05ZS074	11~15 kw	LMC350.AFSY060	178	SGEA51M.07109	110	12	42	SGEA51L.00032FG	32	8	82.55	15.87	106.4	3.97	11.1	EGE5



Description Code No.	Ele. Motor 4 Pole	Bell Housing		Coupling Motor Side				Coupling Pump Side								Rubber Insert
		Type	H	Type	L	Ch	d	Type	L1	S	C	dI	In	ChI	F	
AKMM04Z2004	5.5~7.5 kw	LMC300.AFST070	155	SGEA31M.06077	77	10	38	SGEA31G.020342E	34	9.5	101.6	22.22	146	4.76	14.3	EGE3
AKMM05Z2004	11~15 kw	LMC350.AFSU070	194	SGEA51M.07109	109	12	42	SGEA51G.020402E	40	9.5	101.6	22.22	146	4.76	14.3	EGE5
AKMM06Z2004	18.5~22 kw	LMC350.AFSU070	194	SGEA51M.08109	109	14	48	SGEA51G.020402E	40	9.5	101.6	22.22	146	4.76	14.3	EGE5
AKMM07Z2004	30 kw	LMC400.AFSV070	202	SGEA51M.09109	109	16	55	SGEA51G.020402E	40	9.5	101.6	22.22	146	4.76	14.3	EGE5