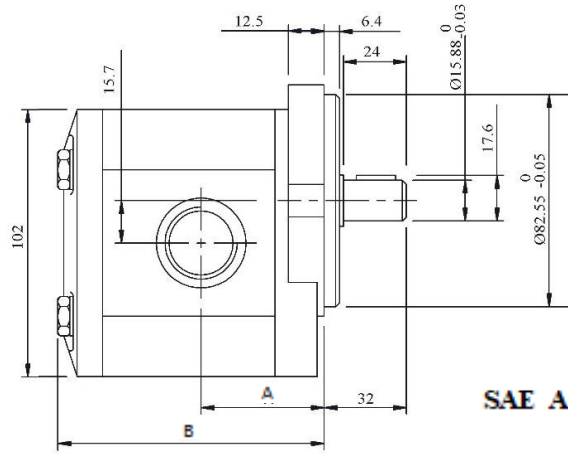
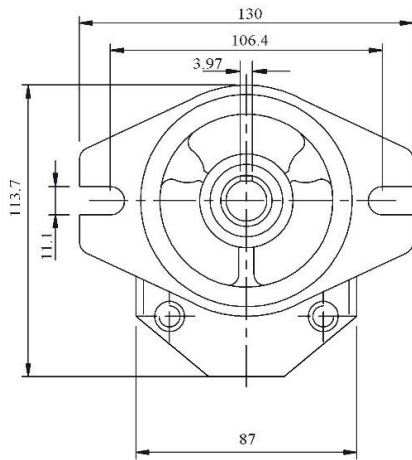
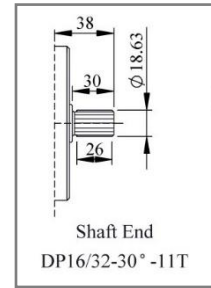
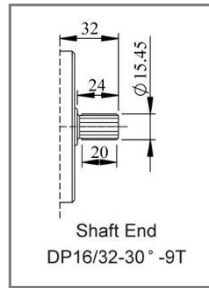
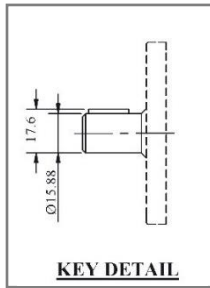


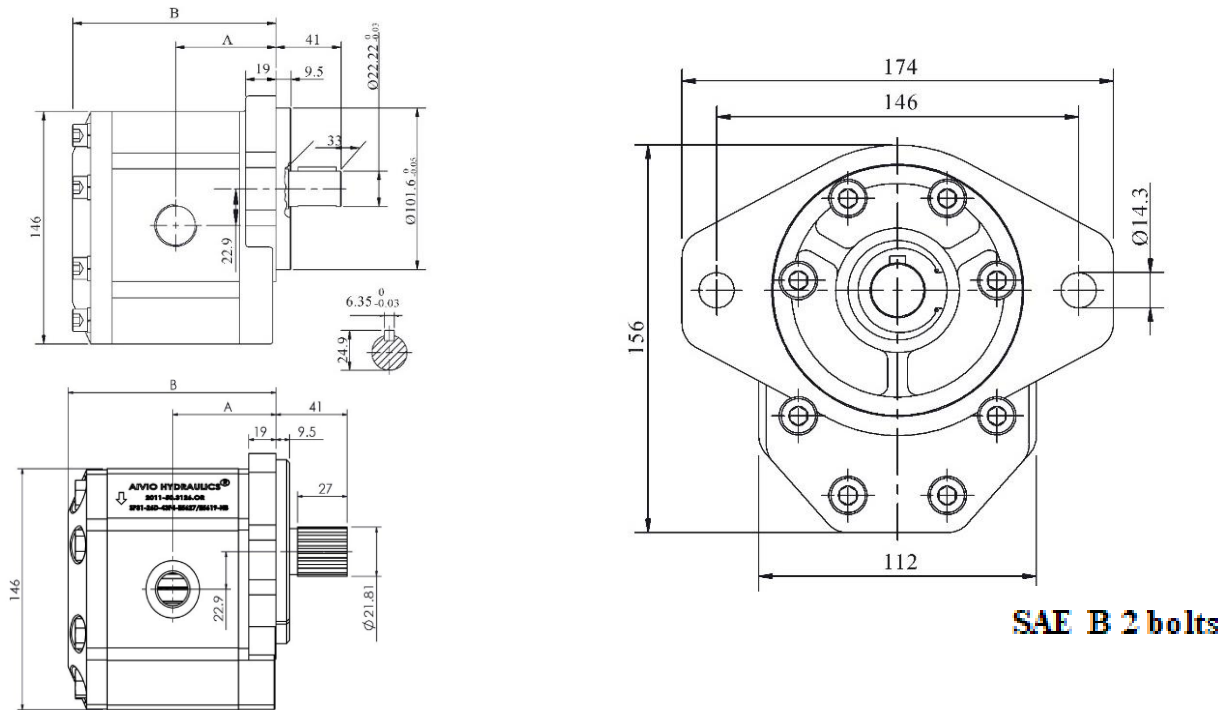
cc/rev	Max. pressure (bar)			Nmax. (rpm)	Nmin. (rpm)	Inlet (bspp)	Outlet (bspp)	Dimension(mm)		Wt.(kg) approx.
	P1	P2	P3					A	B	
1.4	240	250	265	3500	800	1/2"	3/8"	42	82	0.92
2.1	240	250	265	3500	800	1/2"	3/8"	43	84	1.05
2.8	240	250	265	3500	800	1/2"	3/8"	44	86	1.22
3.5	240	250	265	3500	800	1/2"	3/8"	45	88	1.36
4.1	240	250	265	3000	800	1/2"	1/2"	46	90	1.52
5.2	220	230	245	2800	800	1/2"	1/2"	48	93	1.72
6.2	220	230	245	2500	800	1/2"	1/2"	49	96	1.90
7.6	190	200	215	2200	600	3/4"	1/2"	51	99	2.10
9.3	170	180	195	2000	600	3/4"	1/2"	52	103	2.20
11.0	160	170	185	1800	600	3/4"	1/2"	53	105	2.40
13.8	130	140	155	1500	600	3/4"	1/2"	55	108	2.50



SAE A 2 bolts

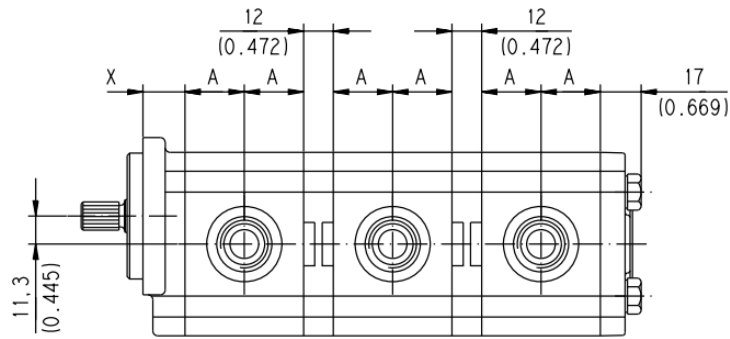


cc/rev	Max. pressure (bar)			Nmax. (rpm)	Nmin. (rpm)	Inlet (bspp)	Outlet (bspp)	Dimension(mm)		Wt.(kg) approx.
	P1	P2	P3					A	B	
4.0	260	270	285	4000	600	1/2"	1/2"	43.6	91.1	3.6
6.0	260	270	285	4000	600	1/2"	1/2"	46.0	96.0	3.7
8.0	260	270	285	3500	500	1/2"	1/2"	47.7	99.3	3.8
10.0	260	270	285	3000	500	3/4"	1/2"	49.3	102.6	3.9
12.0	260	270	285	3000	500	3/4"	1/2"	51	105.9	4.0
14.0	240	250	265	3000	500	3/4"	1/2"	52.7	109.3	4.1
16.0	240	250	265	3000	500	3/4"	1/2"	54.4	112.7	4.3
18.0	230	240	255	2500	500	3/4"	1/2"	56.0	116.0	4.4
20.0	210	220	235	2500	500	3/4"	1/2"	57.7	119.3	4.5
22.0	190	200	215	2500	500	3/4"	1/2"	59.3	122.6	4.6
25.0	190	200	215	2000	500	3/4"	1/2"	61.8	127.6	4.7
28.0	160	170	185	2000	500	1"	3/4"	63.3	132.6	4.8

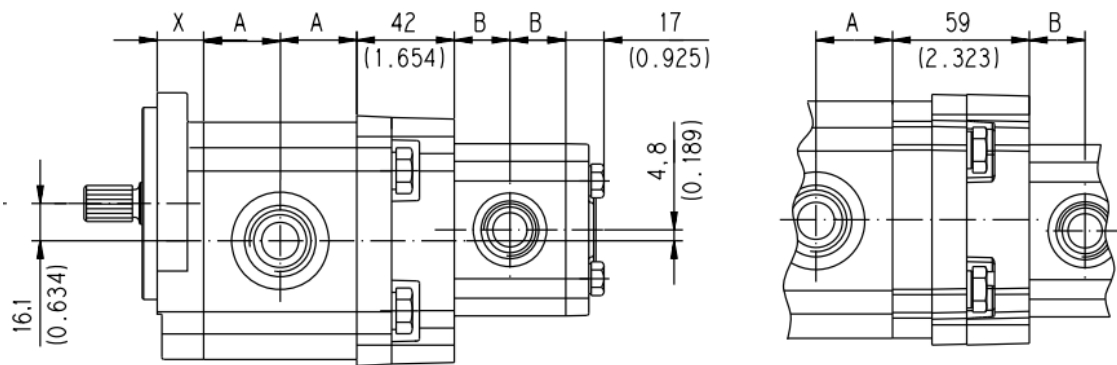


cc/rev	Max. pressure (bar)			Nmax. (rpm)	Nmin. (rpm)	Inlet (bspp)	Outlet (bspp)	Dimension(mm)		Wt.(kg) approx.
	P1	P2	P3					A	B	
20.0	250	265	280	3500	600	1"	3/4"	63	128	8.7
22.0	250	265	280	3500	600	1"	3/4"	64	130	8.7
26.0	250	265	280	3000	600	1"	3/4"	65	133	9.1
33.0	230	250	270	3000	500	1"	3/4"	68	139	9.4
39.0	230	250	270	3000	500	1"	3/4"	72	146	9.7
46.0	230	250	270	3000	500	1 1/4"	1"	75	152	9.8
52.0	220	240	260	3000	500	1 1/4"	1"	78	158	10.3
55.0	200	230	250	2800	400	1 1/4"	1"	79	160	10.6
63.0	200	230	250	2800	400	1 1/4"	1"	83	168	10.9
71.0	180	200	220	2500	400	1 1/2"	1 1/4"	86	175	11.0

Multiple Aluminum Gear pump dimension

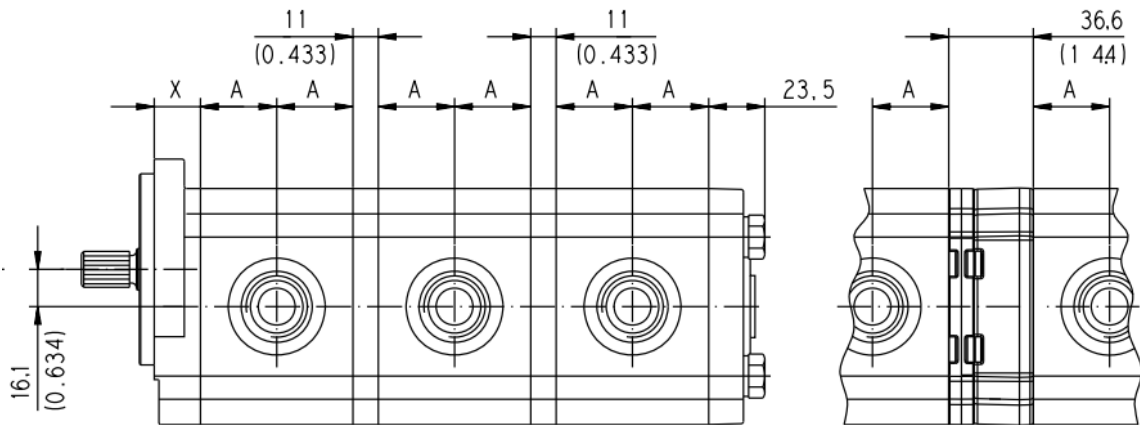


SP11 / 11



SP21 / 11

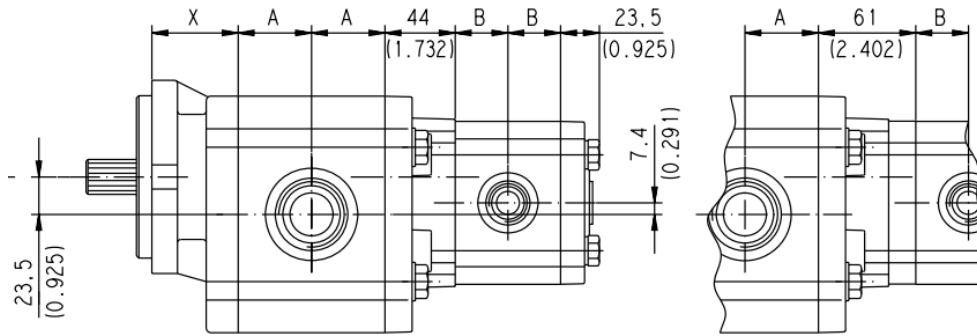
Separated stages



SP21 / 21

Separated stages

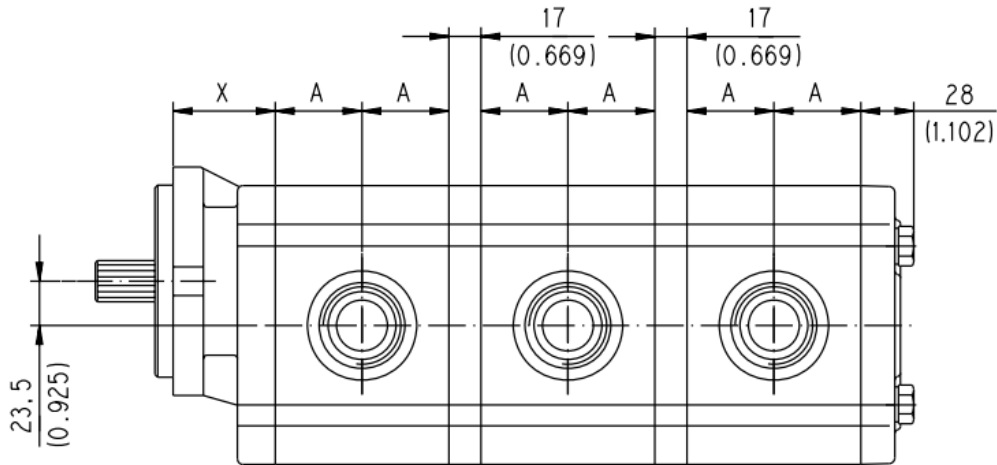
Multiple Aluminum Gear pump dimension



Rear cover available in cast iron and aluminium.

Separated stages

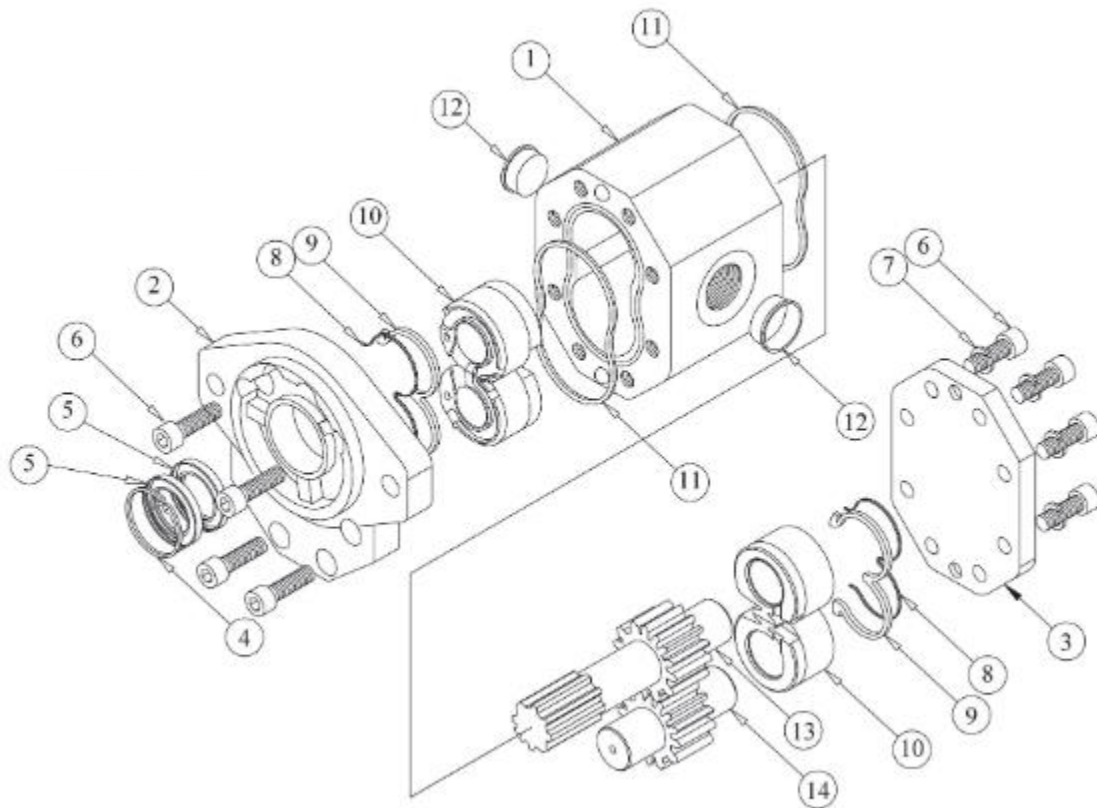
SP31 / 21



Rear cover in cast iron only.

SP31 / 31





No.	Description	Qty
1	Gear Housing	1
2	Front Cover	1
3	End Cover	1
4	Snap Ring	1
5	Shaft Seal STD	2
6	Bolts	8
7	Spring Washer	4
8	Back Up Seal	2
9	Seal	2
10	Thrust Plate	2
11	Seal	2
12	Cap	2
13	Drive Gear Shaft	1
14	Driven Gear Shaft	1

