

4260-30
DF

Material: Cast iron

Maximum pressure: 250 bar

Use and Operation:

3-ways diverter valve is used to divert the flow towards 2 different outlets.

Materials and Features:

Body: cast iron

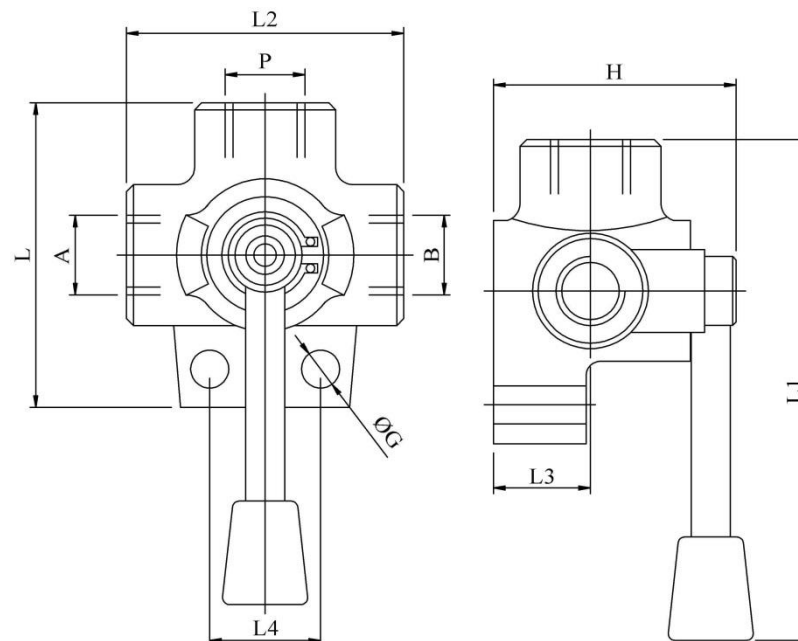
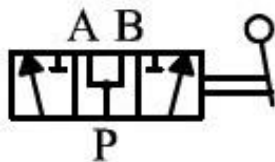
Internal parts: hardened and ground steel

Seals: BUNA N standard

Tightness: minor leakage

Application:

Connect P to the pressure flow, A and B to the ports of hydraulic circuit where flow has to be diverted. With lever in position 1 the flow is connected towards port A; with lever in position 2, the flow is connected towards port B. With lever in central position ports P, A and B are all connected (open centre).



TYPE	Max. Flow (l/min)	L	L1	L2	L3	L4	ØG	H	A-B-P (BSPP)	Wt. (kg) approx.
DF06	60	78	142	73	21	24	8.5	62	3/8"	0.89
DF08	90	88	145	80	28	32	11	70	1/2"	1.43
DF12	120	102	150	95	30	32	11	80	3/4"	1.83
DF16	180	105	150	98	30	32	11	82	1"	2.51

Pressure Drop Curve

(Oil temperature : 50° C, Oil viscosity: 30 cSt)

