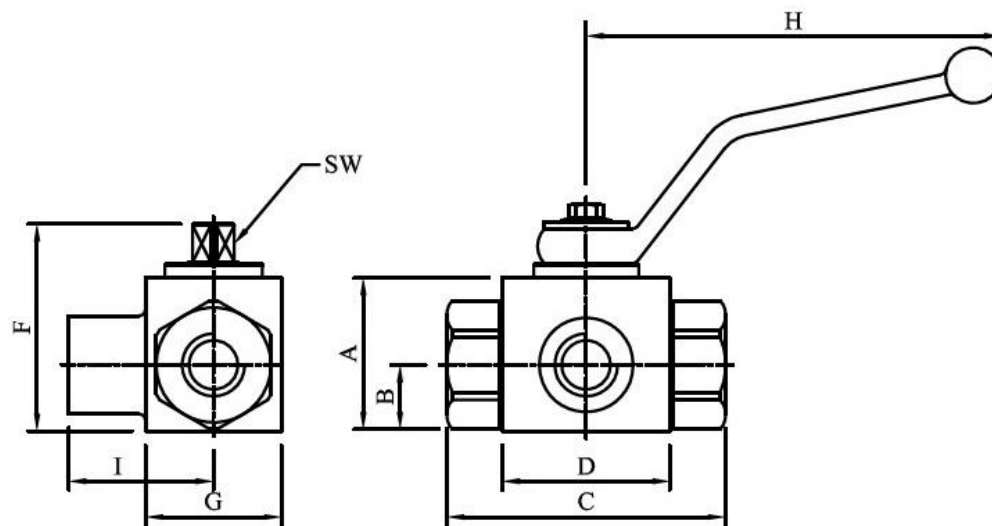
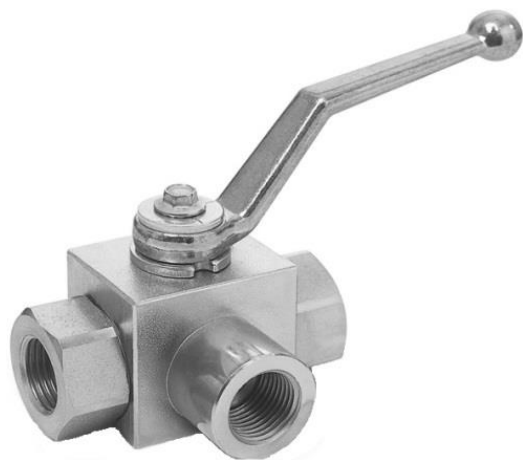
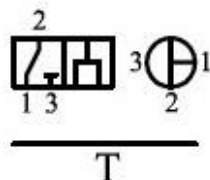
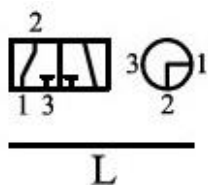


4260-10/12
DF-S

Material: Carbon steel

Maximum pressure: See table below



Specifications:

Type: ball bar GE 3-way

Body: block

Material: AISI 12L14

Size: from DN6 to DN25

O-rings: NBR, FPM, MQV, EPDM, FFKM

Ball seal: POM

Adapter & Stem seal: NBR70 (BUNA)

Operating pressure: 350-500 bar depending on valve

size and seal materials selected
Temperature range: -10°C~+100°C depending on seal
material selected

TYPE	Max. Flow (l/min)	PN (bar)	DN	A	B	C	D	F	G	H	I	L	Ports (BSPP)	Wt. (kg) approx.
DF04-S-BSPP	25	400	6	35	14	71	42	49	30	110	33.5	16	1/4"	0.50
DF06-S-BSPP	35	400	10	40	17	73	44	54	35	110	37	16	3/8"	0.70
DF08-S-BSPP	60	350	13	43	18	83	48	57	37	110	40	17	1/2"	0.80
DF12-S-BSPP	100	350	20	55	23	95	62	73	45	180	52	21	3/4"	1.50
DF16-S-BSPP	180	350	25	65	29	112	66	83	55	180	60	24	1"	2.35

TYPE	Max. Flow (l/min)	PN (bar)	DN	A	B	C	D	F	G	H	I	L	Ports (BSPP)	Wt. (kg) approx.
DF04-S-NPT	25	400	6	35	14	71	42	49	30	110	33.5	16	1/4"	0.50
DF06-S-NPT	35	400	10	40	17	73	44	54	35	110	37	16	3/8"	0.70
DF08-S-NPT	60	350	13	43	18	83	48	57	37	110	40	17	1/2"	0.80
DF12-S-NPT	100	350	20	55	23	95	62	73	45	180	52	21	3/4"	1.50
DF16-S-NPT	180	350	25	65	29	112	66	83	55	180	60	24	1"	2.35