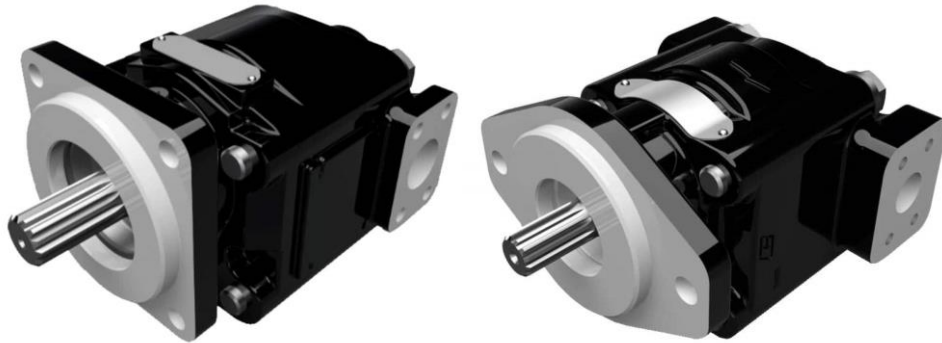


CAST IRON PUMP/MOTOR

MODEL 350/365

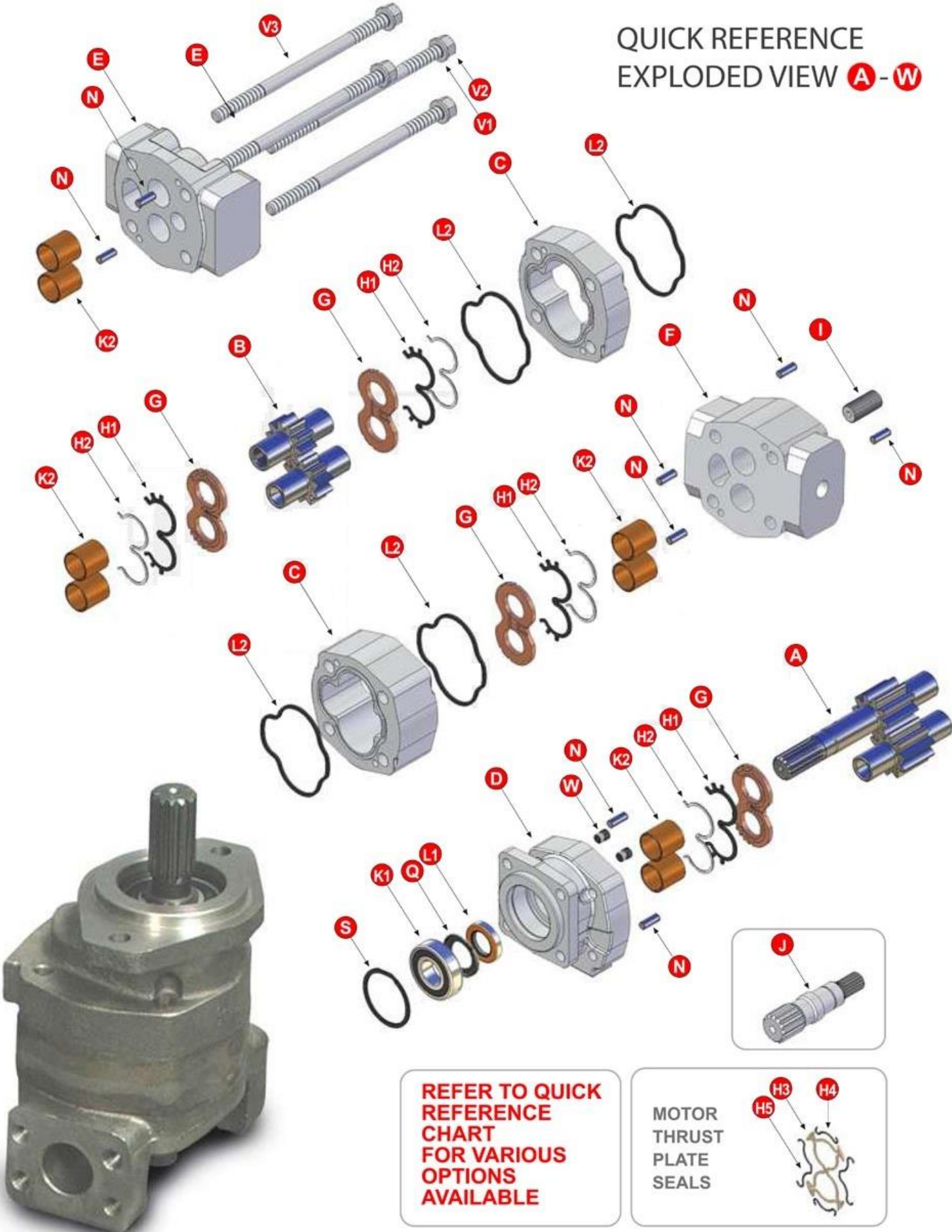
AIVIO
HYDRAULICS



MODEL	GEAR WIDTH (INCH)	GEAR WIDTH (NO.)	GEAR HOUSING WIDTH	DISPLACEMENT (cc/rev)	MAX PRESSURE (BAR)	MAX SPEED (RPM)	WEIGHT (KG.)
350	1/2"	05	1.00"	20.80	240	2400	22.70
	3/4"	07	1.25"	31.20	240	2400	22.70
	1"	10	1.50"	41.70	240	2400	22.70
	1-1/4"	12	1.75"	52.10	240	2400	23.40
	1-1/2"	15	2.00"	62.60	240	2400	24.10
	1-3/4"	17	2.25"	73.00	220	2400	24.80
	2"	20	2.50"	83.50	200	2400	25.50
	2-1/4"	22	2.75"	94.00	190	2400	26.20
2-1/2"	25	3.00"	104.40	170	2400	26.90	

MODEL	GEAR WIDTH (INCH)	GEAR WIDTH (NO.)	GEAR HOUSING WIDTH	DISPLACEMENT (cc/rev)	MAX PRESSURE (BAR)	MAX SPEED (RPM)	WEIGHT (KG.)
365	3/4"	07	1.25"	44.00	240	2400	24.90
	1"	10	1.50"	59.00	240	2400	24.90
	1-1/4"	12	1.75"	73.50	240	2400	26.00
	1-1/2"	15	2.00"	88.00	240	2400	27.10
	1-3/4"	17	2.25"	102.00	240	2400	28.20
	2"	20	2.50"	118.00	240	2400	29.30
	2-1/4"	22	2.75"	132.60	220	2400	30.40
2-1/2"	25	3.00"	147.00	200	2400	31.50	

QUICK REFERENCE
EXPLODED VIEW **A - W**



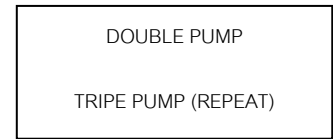
REFER TO QUICK REFERENCE CHART FOR VARIOUS OPTIONS AVAILABLE

MOTOR THRUST PLATE SEALS



No.		Description
A	Shaft gear set	SAE C Key shaft 1-1/4"
	Shaft gear set	SAE B SPLINE SHAFT 13 Tooth
	Shaft gear set	SAE C SPLINE SHAFT 14 Tooth
B	Match gear	(For multiple pump only)
C	Gear housing	
D	Front end cover	- SAE B 2 bolt 4"
		- SAE B 6 bolt 4"
		- SAE C 4 bolt 5"
E	Port end cover	
F	Bearing carrier	(For multiple pump only)
G	Thrust plate	
H	Thrust plate seal	
H1	Pump channel seal	
H2	Pump back up seal	
H3	Motor back up seal	
H4	Motor End seal	
H5	Motor side seal	
I	Connecting shaft	(For multiple pump only)
J	Loose shaft	
K1	Outboard bearing	
K2	Bush	
L	Shaft seal	
L2	Gasket seal	
N	Dowel pin	
Q	Spacer	
S	Snap ring	
V1	Washer	
V2	Nut	
V3	Stud 5/8"	

Ordering Code



CODE	TYPE
P	Pump
M	Motor

CODE	MODEL
350	350 Series
365	365 Series

CODE	1 - Unit
A	Single Unit
B	Double Units
C	Triple Units

CODE	2 - Front end cover
42	SAE B 4 BOLT (89.8mm)
46	SAE B 6 BOLT (89/146mm.)
78	SAE C 4 BOLT (114.5 mm.)
97	SAE B 2 BOLT (146.5mm)

3 - Rear End cover (Single pump)			
CW	CCW	IN	OUT
EC	CE	2"	1-1/2"
EF	FE	2"	1-1/4"
EG	GE	2"	1"
EH	HE	1-1/2"	1-1/2"
EJ	JE	1-1/2"	1-1/4"
EK	KE	1-1/2"	1"
EL	LE	1-1/4"	1-1/4"
EM	ME	1-1/4"	1"
EN	NE	1"	1"
Rear End cover (Multiple pump)			
BI	IB	Unport	Unport

4 - Gear width 350 Series		
CODE	TYPE	cc/rev
05	1/2"	20.9
07	3/4"	31.3
10	1"	41.8
12	1-1/4"	52.2
15	1-1/2"	62.7
17	1-3/4"	73.1
20	2"	83.6
22	2-1/4"	94.0
25	2-1/2"	104.5

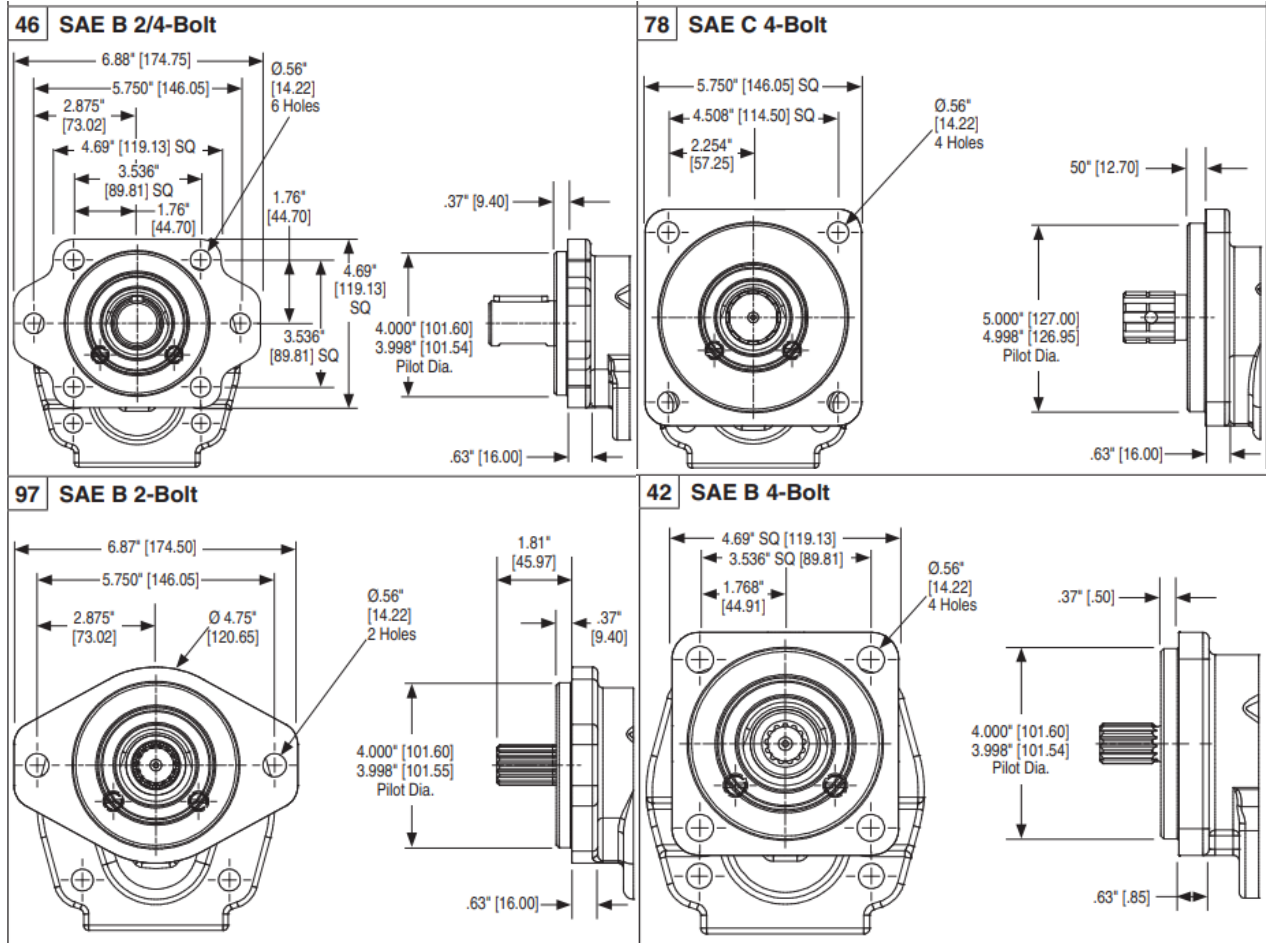
4 - Gear width 365 Series		
CODE	TYPE	cc/rev
07	3/4"	44.3
10	1"	59.0
12	1-1/4"	73.8
15	1-1/2"	88.5
17	1-3/4"	103.3
20	2"	118.0
22	2-1/4"	132.8
25	2-1/2"	147.5

CODE	6 - SHAFT TYPE
07	SAE C Spline 14T
11	SAE C KEY
25	SAE B Spline 13T

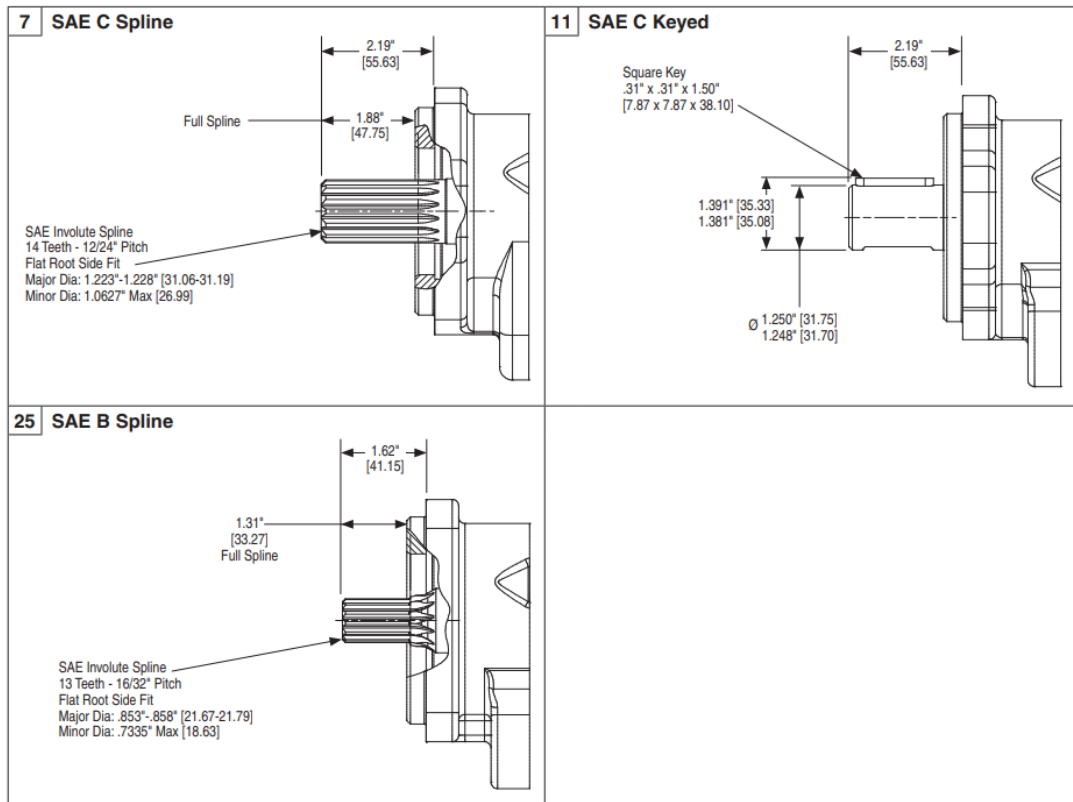
7 - Dual Bearing carrier				
CW	CCW	IN	OUT	
AM	MA	2"	1-1/4"	1-1/4"
AN	NA	2"	1-1/4"	1"
AP	PA	2"	1"	1"
AT	TA	1-1/2"	1-1/4"	1-1/4"
AU	UA	1-1/2"	1-1/4"	1"
AV	VA	1-1/2"	1"	1"
AW	WA	1-1/4"	1-1/4"	1-1/4"
AX	XA	1-1/4"	1-1/4"	1"
AY	YA	1-1/4"	1"	1"
AZ	ZA	1"	1"	1"

8 - Single Bearing carrier			
CW	CCW	IN	OUT
HB	BH	2"	1-1/2"
HC	CH	2"	1-1/4"
HF	FH	2"	1"
HL	LH	1-1/2"	1-1/2"
HM	MH	1-1/2"	1-1/4"
HN	NH	1-1/2"	1"
HO	OH	1-1/4"	1-1/4"
HP	PH	1-1/4"	1"
HQ	QH	1"	1"
BI	IB	Unport	Unport

FRONT END COVER

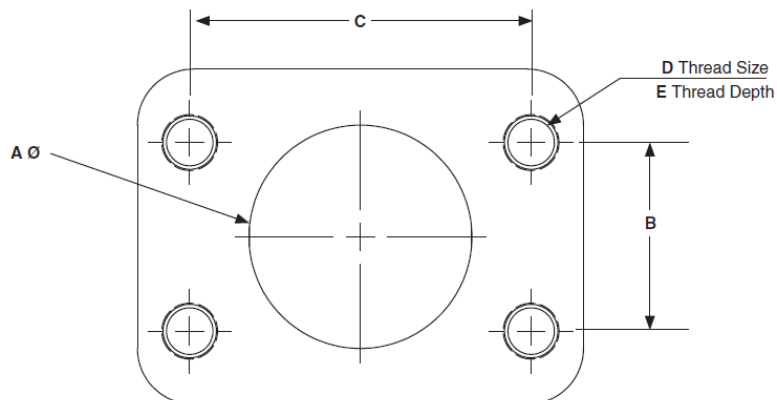


SHAFT PUMP/MOTOR

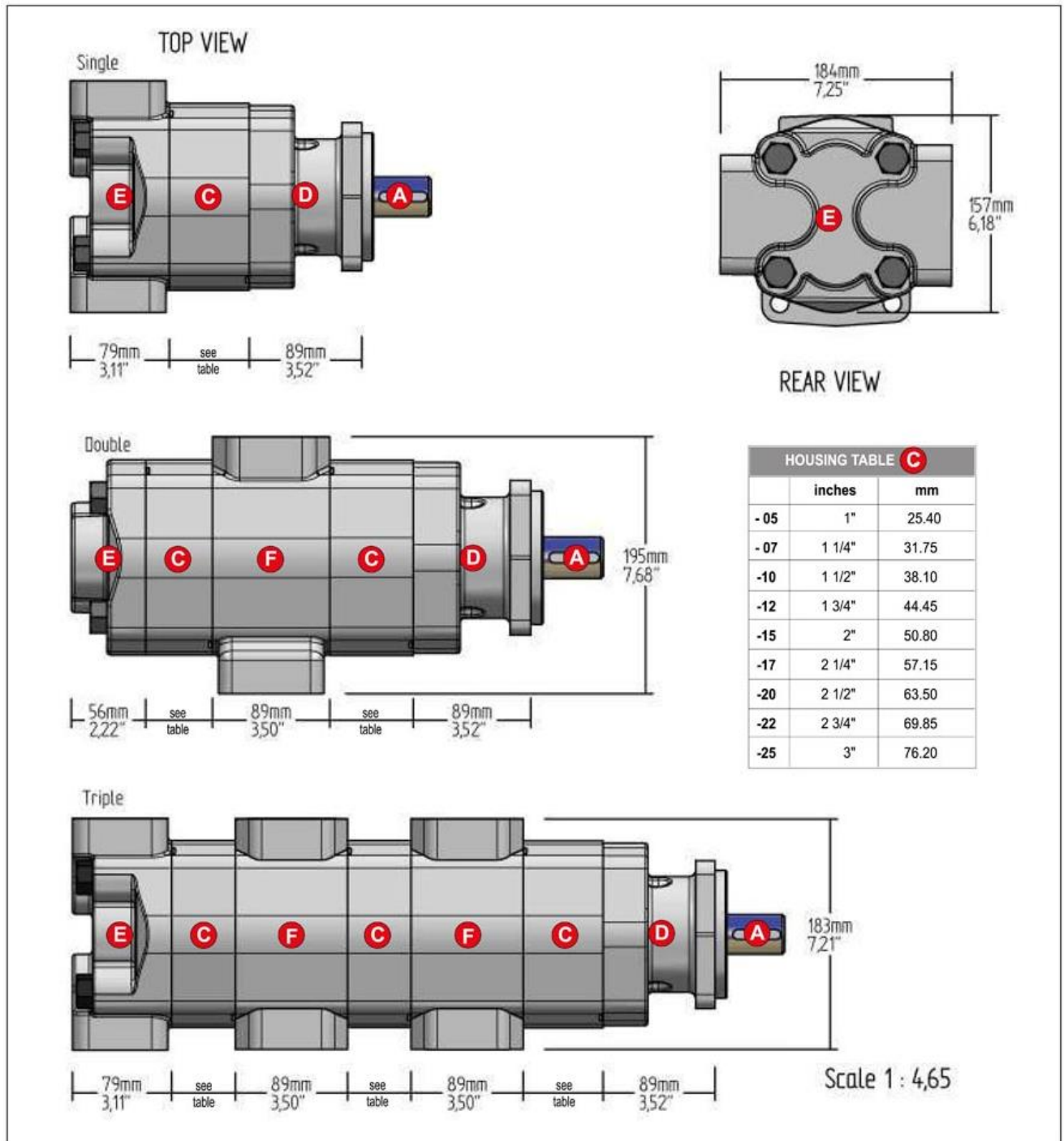


PUMP/MOTOR FLANGE

A		B		C		D	E	
inch	mm	inch	mm	inch	mm	UNC	inch	mm
0.50	12.7	0.69	17.5	1.50	38.1	5/16"-18	0.94	23.9
0.75	19.1	0.88	22.3	1.88	47.7	3/8"-16	0.88	22.4
1.00	25.4	1.03	26.2	2.06	52.2	3/8"-16	0.88	22.4
1.25	31.8	1.19	30.2	2.31	58.7	7/16"-14	1.12	28.4
1.50	38.1	1.41	35.7	2.75	69.9	1/2"-13	1.06	26.9
2.00	50.8	1.69	42.9	3.06	77.8	1/2"-13	1.06	26.9
2.50	63.5	2.00	50.8	3.50	88.9	1/2"-13	1.19	30.2



Model 350



Model 365

