

RANGE COMPOSITION

The NERT rack type dishwasher range consists of 4 electric models with one wash tank and one speed with right or left-hand loading and a maximum capacity of 200 baskets per hour.



STANDARD NERT

RACK TYPE DISHWASHERS **ZANUSSI** PROFESSIONAL

FUNCTIONAL AND CONSTRUCTION FEATURES

- ◆ Wash tank in 316 AISI stainless steel with rounded corners, internal and external surfaces in 304 AISI stainless steel. Wash arms and jets in 304 AISI stainless steel to ensure an excellent and reliable performance. The double-skinned counter-balanced inspection doors guarantee solidity and strength.
- ◆ Wash Zone: all the soil is removed by the combination of the mechanical washing action that directs water at the washware by means of a powerful pump and the thermal action of the heating elements that guarantee a constant water temperature of between 55° and 65°C and to which the appropriate detergents are added
- ◆ Rinse Zone: clean water is used to eliminate any trace of detergent from the washware.
- ◆ Ease of Cleaning and Maintenance: manually removable wash arms and tank filters without the use of tools; water and electrical connections are positioned centrally on the front side of the machine to allow installation directly against a wall
- ◆ Maximum Operator Safety: the machine is completely automated and stops if the doors are accidentally or deliberately opened, there are no baskets in the machine, the wash

pump malfunctions or the electric elements overheat.

- ◆ The NERT dishwashers can be equipped with: a Rinse Booster pump to increase rinse water pressure and Side Wash Arms, as well as a vast range of baskets 500 x 500 mm to suit any requirements.

TECHNICAL DATA				
CHARACTERISTICS	MODELS			
	NERT20H 533370	NERT20H 533371	NERT20 533374	NERT20 533375
Power supply	Electric	Electric	Electric	Electric
Feeding direction	from RH to LH	from LH to RH	from RH to LH	from LH to RH
N° of speeds	1	1	1	1
Capacity dishes/h	3600	3600	3600	3600
Air emission - m³/h	500	500	500	500
Air temperature - °C	60 - 65	60 - 65	60 - 65	60 - 65
External dimensions - mm				
width	1550	1550	1550	1550
depth	824	824	824	824
height/with open door	1454, 2050	1454, 2050	1454, 2050	1454, 2050
1st wash				
temperature - °C	55-65	55-65	55-65	55-65
tank capacity - lt.	114	114	114	114
pump power - kW	1.5	1.5	1.5	1.5
Rinsing				
temperature - °C	80-90	80-90	80-90	80-90
boiler capacity - lt.	16	16	16	16
boiler power - kW	24	24	28	28
Power - kW				
installed-electric	52	52	41.5	41.5
Noise level - dBA	70	70	70	70
Net weight - kg.	200	200	200	200
Supply voltage	400 V, 3N, 50	400 V, 3N, 50	400 V, 3N, 50	400 V, 3N, 50

◆ The NERT dishwashers can be connected to specific pre-wash tabling, entry and exit service tabling, roller conveyor tabling and conveyor belts

◆ All models comply with the standards required by the main international approval bodies (VDE & DVGW) and are **CE** marked

* Declared actual cycle duration times can extend when water supply temperature is lower than indicated.

* Installation is recommended below a dishwashing hood to convey steam.

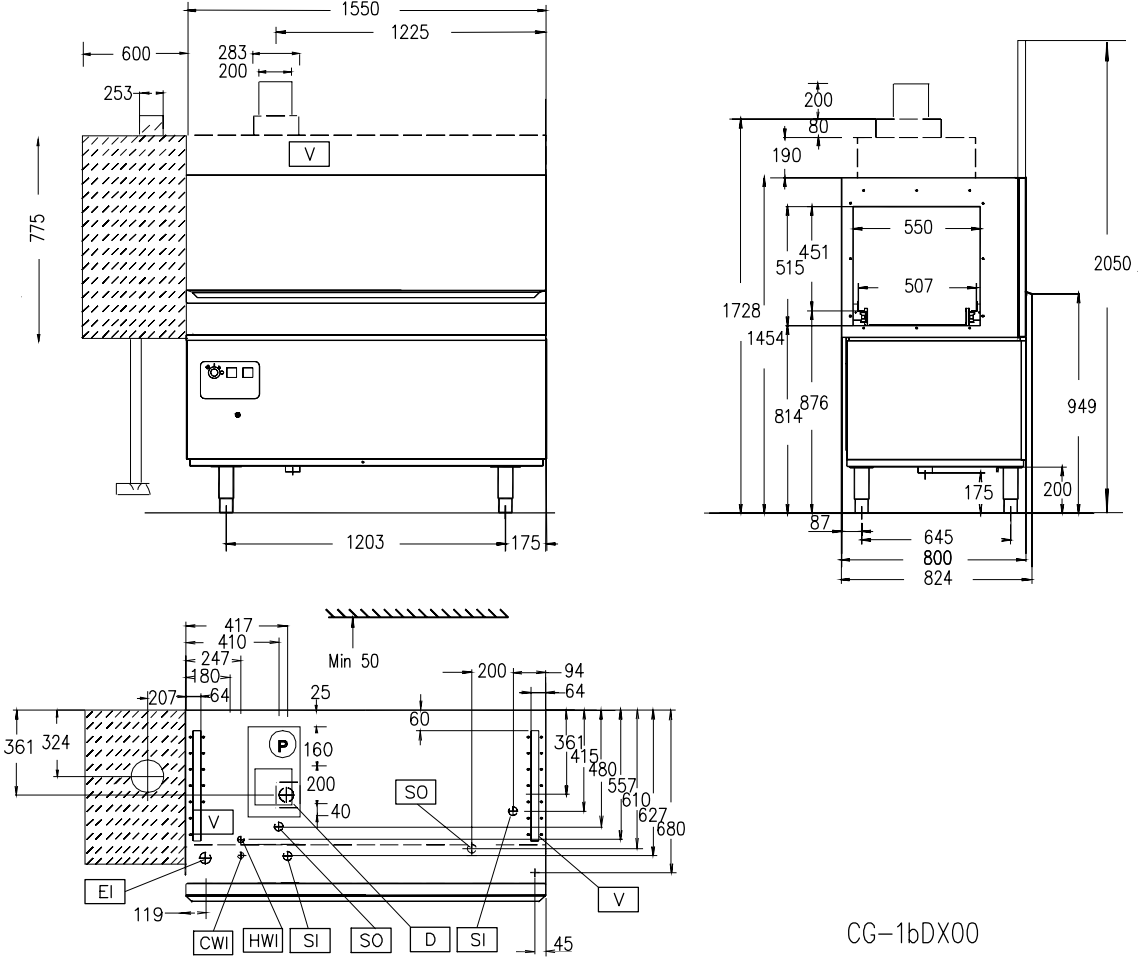
OPTIONAL ACCESSORIES				
ACCESSORIES	MODELS			
	NERT20H 533370	NERT20H 533371	NERT20 533374	NERT20 533375
BASKET FOR 5 HALF INSULATED TRAYS-RED	867005	867005	867005	867005
COVER GRID FOR SMALL/LIGHT ITEMS IN RACK	867016	867016	867016	867016
EL. HOT AIR BLOWER-CORNER-L>R-ENTRY RT		864142		864142
EL. HOT AIR BLOWER-CORNER-R>L-ENTRY RT	864141		864141	
EL. HOT AIR BLOWER-L>R-600MM-ENTRY RT		864153		864153
EL. HOT AIR BLOWER-L>L-600MM-ENTRY RT	864151		864151	
KIT 6 BASKETS FOR 1-TANK RACK TYPE DW	867050	867050	867050	867050
KIT 9 BASKETS FOR 1-TANK RACK TYPE DW	867051	867051	867051	867051
KIT PRESSURE BOOSTER FOR RINSING WATER	864052	864052		
SIDE PRE-WASH AND WASH ARMS	864053	864053	864053	864053



www.zanussiprofessional.com

RACK TYPE DISHWASHERS
STANDARD NERT

533370, 533374



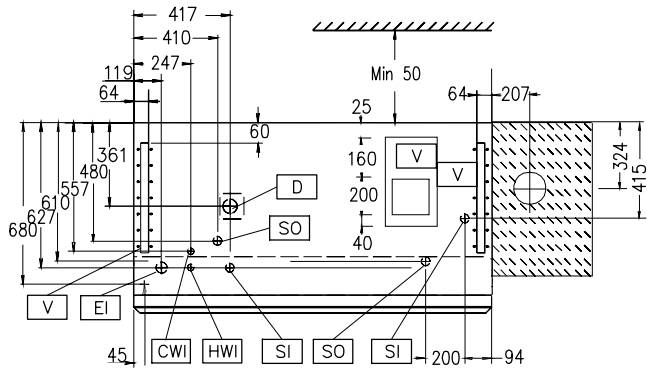
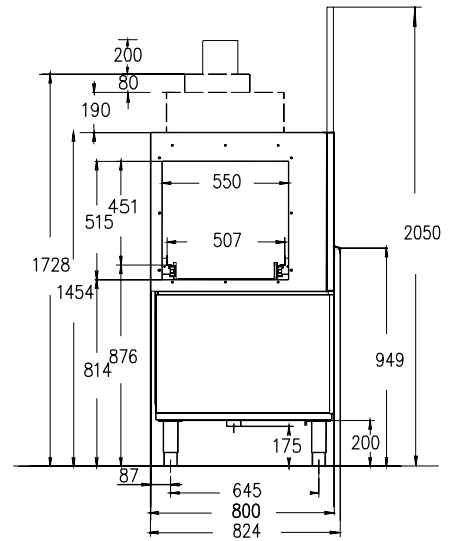
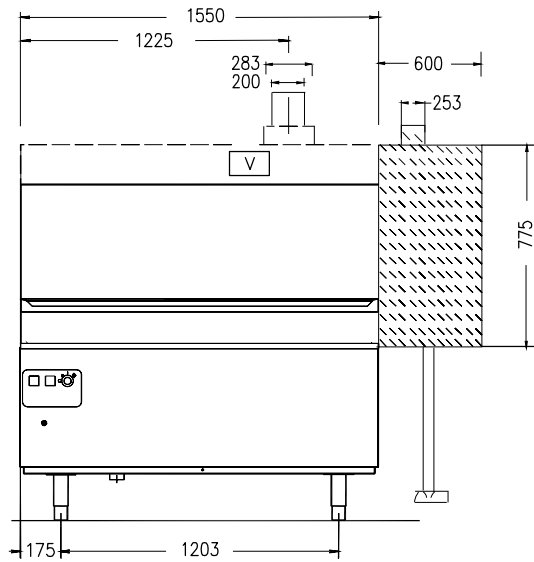
CG-1bDX00

LEGEND

	NERT20H 533370	NERT20 533374
CWI - Cold water inlet	G 3/4"	G 3/4"
D - Water drain	50mm	50mm
EI - Electrical connection	400 V, 3N, 50	400 V, 3N, 50
HWI - Hot water inlet	G 3/4"	G 3/4"
V - Condensation outlet	●	●



www.zanussiprofessional.com



CG-1bSX00

LEGEND

	NERT20H 533371	NERT20 533375
CWI - Cold water inlet	G 3/4"	G 3/4"
D - Water drain	50mm	50mm
EI - Electrical connection	400 V, 3N, 50	400 V, 3N, 50
HWI - Hot water inlet	G 3/4"	G 3/4"
V - Condensation outlet	●	●



www.zanussiprofessional.com