

# Electrolux Dishwashing

## green&clean Hood Type

The Electrolux green&clean Dishwashing range is produced for customers with the highest conceivable demands for good efficiency, economy and ergonomics for dishwashing operation. The product range comprises glasswashers, undercounter dishwashers, hood type dishwashers, rack type dishwashers, flight type dishwashers and pot and pan washers. The hood type dishwasher range specific for Asia consists of units with different voltages and has a capacity of 67 racks per hour.



### SANITIZATION AND PERFORMANCE

- High powered built-in atmospheric boiler (12 kW) allows cold water supply (from 10°C to 60°C), 12 liter capacity, with rinse pump to guarantee a constant hot rinse temperature of 85°C minimum during rinsing phase, independent from the water pressure of the network (a minimum of 0.5 bar).
- The green light of the “Wash Safe Control” confirms that items have been rinsed properly.
- 4 second (variable) pause after washing and before rinsing ensures that no drops of unclean water will fall on the clean items at the end of the rinsing cycle.
- 3 different dishwashing cycles: glass and lightly soiled items (1st

cycle of 77 seconds), standard soiled items (2nd cycle of 90 seconds), heavy soiled items (3rd cycle of 150 seconds), according to THERMAL LABEL requirements. Easy to switch to “high productivity” mode (54/90/150 sec.) by switching on specific button.

- ETL- Sanitation approved and compliant with NSF sanitization standards (paragraph 7.1).
- Simple control panel with digital thermometers, indicating both wash & rinse temperatures.
- Electronic board with digital diagnosis system, number of cycles counter and number of drain cycles counter.

### LOW RUNNING COSTS

- An effective rinse system that uses only 3 litres of clean hot water per rack to ensure lower running costs (in energy, water and chemical consumption).

### HYGIENE AND RELIABILITY

- All the machines have smooth surfaces and a wash tank with rounded corners to facilitate cleaning.
- Easily removable washing and rinsing arms, filters and rack support.
- 3 springs in hood lifting system to prevent the hood from suddenly closing in case of spring breakage, thus avoiding operator injury.



Electrolux



**Electrolux Dishwashing  
green&clean Hood Type**

- The fully automatic self-cleaning cycle avoids the risk of bacteria proliferation.
- The self-draining wash pump and the boiler facilitates the evacuation of stagnant water after long periods of inactivity to ensure a higher level of hygiene.
- Load bearing frame height adjustable feet, hood, tank, washing and rinsing arms, jets and screws in 304 AISI stainless steel to ensure long term reliability.
- High efficiency air gap (class A) in water inlet circuit to avoid water being siphoned back into the network as a result of a sudden drop in main pressures.
- 304L stainless steel boiler with higher welding protection improves the resistance against corrosion by chlorinated water.

- PVC water supply hose with metal connections resistant to high water pressure.
- The IPX4 water protection.
- Pre-arranged for on-site HACCP implementation and Energy Management device.

**FLEXIBILITY AND ERGONOMICS**

- The incorporated Soft Start feature offers additional protection to delicate items such as glassware and crockery and increases wash pump reliability.
- Three phase electrical connection, convertible to single phase on-site.
- Suitable to be connected to specific pre-wash tabling, service entry and exit tabling and roller conveyor tabling – included in Electrolux Professional Handling System range.

- The machine will start with the closing of the hood and stops when the hood is opened.
- Open hood on the back side to prevent steam blasts to the operator.
- All machines are pre-arranged to accept external dispensers.

**EASY ON THE ENVIRONMENT**

- 97% recyclable by weight.
- CFC free packaging.
- Low noise level.
- Developed and produced in ISO 9001 and ISO 14001 certified factory.
- In compliance with CE requirements.

<b>TECHNICAL DATA</b>	<b>EHTAROW 505054</b>	<b>EHTAROW60 505055</b>
Water supply		
temperature - °C	10-60	10-60
hardness - °f	7-14	7-14
Rinse Booster Pump	●	●
N° of cycles	3	3
Duration cycles		
High Productivity- sec.	54/90/150	54/90/150
ETL-S mode- sec.	77/90/150	77/90/150
Racks capacity/h		
High Productivity	67	67
ETL-S Mode	47	47
Door/hood thickness	Single	Single
External dimensions - mm		
width	748	748
depth	833	833
height	1515	1515
Cell dimensions - mm		
width	590	590
depth	560	560
height	409	409
Washing cycle		
temperature - High Productivity -°C	55-65	55-65
temperature - ETL-S Mode -°C	71	71
Washing cycle		
tank capacity - lt.	42	42
power pump - kW	0.8	0.8
electrical elements - kW	3	3
Hot rinse cycle		
duration - sec.	12	12
temperature during rinse - °C	85	85
water consumption - lt./cycle	3	3
Boiler capacity - lt.	12	12
Boiler elements - kW	12	12
Power - kW		
Rinse pump	0.35	0.35
total power	15.9	15.9
Noise level - dBA	<68	<68
Net weight - kg.	98	98
Supply voltage	400 V, 3N, 50	230 V, 3, 60

**Electrolux Dishwashing  
green&clean Hood Type**

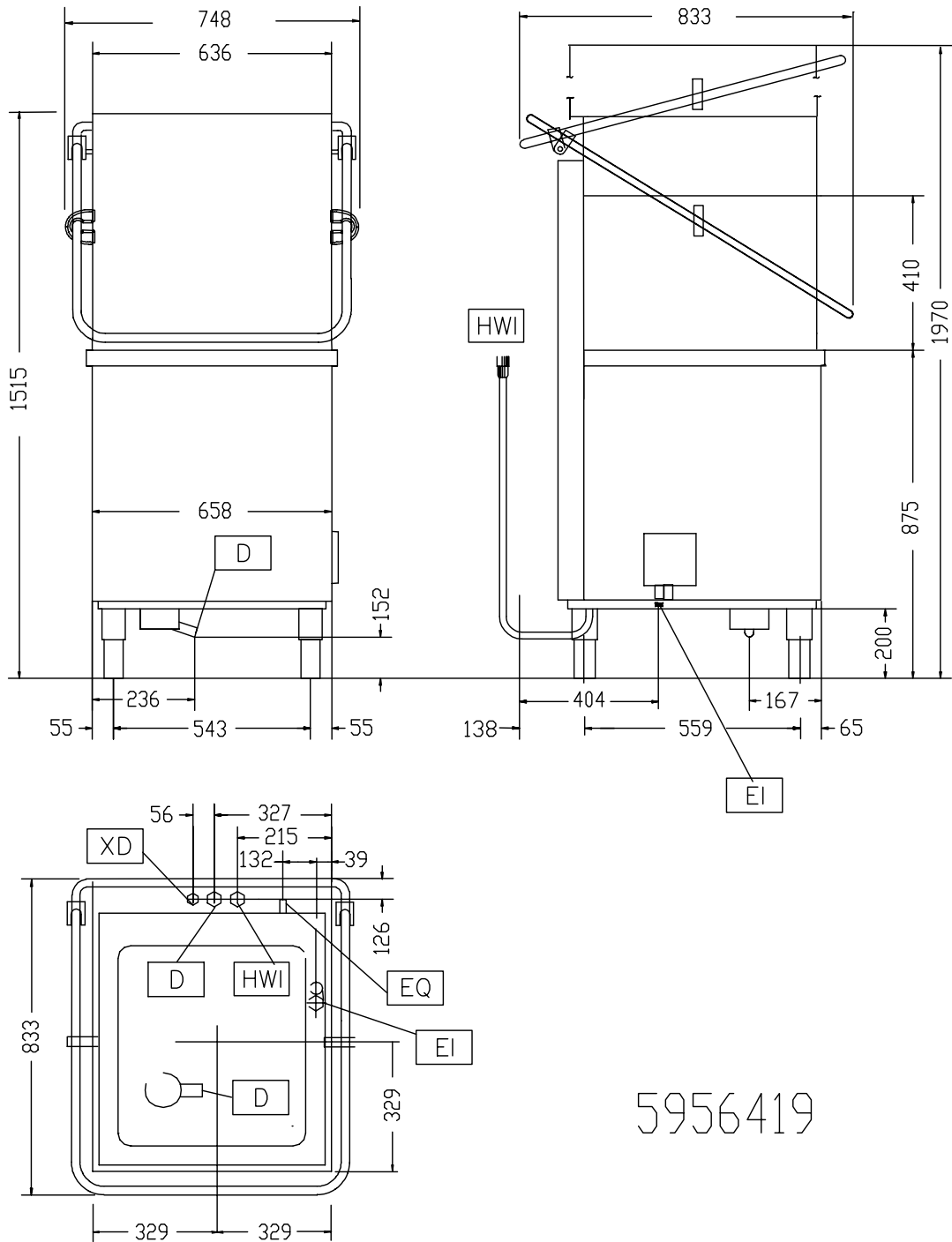
IDB010

2010-10-14

	EHTAROW 505054	EHTAROW60 505055
<b>INCLUDED ACCESSORIES</b>		
BASKET FOR 18 DINNER PLATES 240MM-YELLOW	1	1
YELLOW CUTLERY CONTAINER	1	1
<b>ACCESSORIES</b>		
*NOT TRANSLATED*	922166	922166
12 L EXTERNAL MANUAL WATER SOFTENER	860412	860412
20 L EXTERNAL MANUAL WATER SOFTENER	860430	860430
8 L EXTERNAL AUTOMATIC WATER SOFTENER	860413	860413
BASKET F.16 VERTIC.GLASSES (H70MM)-BLUE	867023	867023
BASKET FOR 12 SOUP BOWLS 240MM-GREEN	867000	867000
BASKET FOR 18 DINNER PLATES 240MM-YELLOW	867002	867002
BASKET FOR 48 SMALL CUPS/24 CUPS-BLUE	867007	867007
BASKET FOR 6 TRAYS 530X370MM-RED	866743	866743
BASKET FOR BULK CUTLERY-BROWN	867009	867009
BRASS INLET VALVE KIT FOR UC AND HT	864000	864000
COVER GRID FOR SMALL/LIGHT ITEMS IN RACK	867016	867016
DETERGENT LEVEL PROBE KIT FOR UC+HT DW	864004	864004
DETERGENT PUMP KIT	864218	864218
DRAIN PUMP KIT FOR 50HZ DISHWASHERS	864199	
EXT.REVERSE OSMOSIS FILT-PRESSURE BOILER	864027	864027
HACCP PRINTER KIT FOR UC, HT AND POTW	864002	864002
INTEGRATED HACCP KIT FOR UC, HT AND POTW	864001	864001
KIT 4 PLASTIC BOXES FOR CUTLERY-YELLOW	865574	865574
KIT 8 PLASTIC BOXES FOR CUTLERY-YELLOW	780068	780068
RINSE AID LEVEL PROBE KIT FOR UC+HT DW	864005	864005
YELLOW CUTLERY CONTAINER	864242	864242

**Electrolux Dishwashing  
green&clean Hood Type**

505054, 505055



5956419

IDB010

2010-10-14

LEGEND	EHTAROW 505054	EHTAROW60 505055
	D - Water drain	40mm
EI - Electrical connection	400 V, 3N, 50	230 V, 3, 60
EQ - Equipotential Screw	●	●
HWI - Hot water inlet	G 3/4"	G 3/4"