

Vehicle-mounted Blood Bank Refrigerator

For mobile blood collection,
safe and traceable



High-efficiency Rapid Refrigeration

The unit can reach the set temperature in 35mins, improving work efficiency

Ultra-long Holdover, Superior Thermal Insulation

More than 150 minutes holdover for 4°C to 6°C, extra security

DC Compressor

European brand, for improved stability during vehicle transportation

Innovative & Ergonomic Design

- Temperature recording: 10-years of data
- Multi-vehicle transport compatibility
- 5 inner doors to reduce rapid cold air loss
- Safety lock for secure storage
- 15 blood baskets: Blood storage capacity 120 bags (400ml)
- 2~6°C storage environment



บริษัท ไอเมด ลาบอราทอรี จำกัด

240 อาคารโยธยา ทาวเวอร์ ห้องเลขที่ 240/2,240/41

ชั้นที่1,20 ถนนรัชดาภิเษก แขวงหัวหมาก

เขตหัวหมาก 10310

 i+MED Laboratories Co.,Ltd

 @imedlaboratories

 imed_laboratories

 www.imed.co.th

Scope of Application >

Vehicle-mounted blood bank refrigerator is designed for mobile blood collection vehicles and housing, providing a safe and secure 2~6°C storage environment after the blood has been collected.

Microprocessor temperature regulator, LED temperature digital display with display precision of 0.1°C.

5 plastic coating steel wire shelves, height adjustable, easy to use.

5 inner doors to reduce rapid cold air loss resulting in less temperature fluctuations and increased energy savings.

Standard USB interface, it can store 10-years of temperature data.

Caster plus foot design is easy to move and lock for leveling.

Special lock catch for safe storage.

There is a rubber cushioning pad at the bottom, fixed for stability.

15 blood baskets with labels for a maximum storage of 120 bags (400ml).



Product Advantages

World-class DC compressor

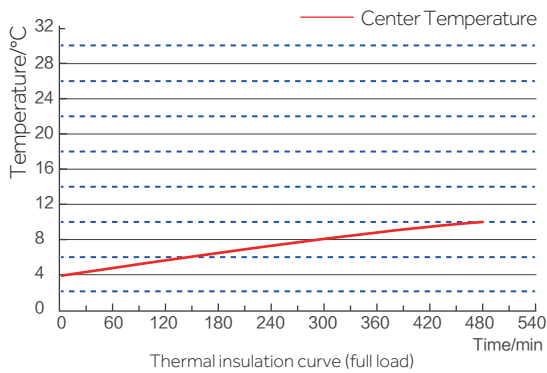
Manufactured with international brand compressor, the vehicle-mounted refrigerator is stable under all transport conditions.

Safe storage and optimum operation experience

- 60mm thick foam layer, superior insulation, ensuring the temperature is stable in the refrigerator;
- Five shelves and five inner doors design minimizes the cold loss;
- 15 blood baskets with labels. The maximum blood storage capacity is 120 bags (400ml);

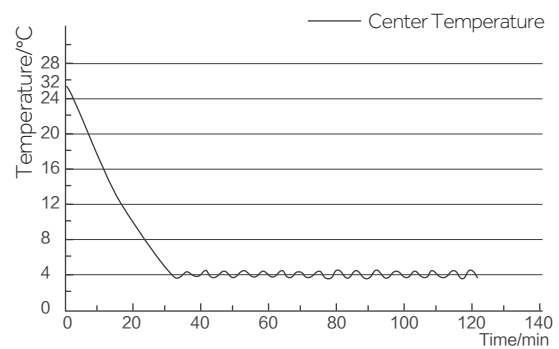
Long insulation time

Under full load and power off conditions, holdover time for 4°C to 6°C is more than 150 minutes, more secure.



Rapid refrigeration, high efficiency

It can reach set temperature within 35 mins under no load condition at room temperature.



Ergonomic Design



Temperature recording, the whole process is traceable

Standard USB interface, the user can download and query temperature and other data for 10 years at any time.



Special safety lock, safer for blood transportation

Standard mechanical lock, the lock catch tightness can be adjusted, with optional electromagnetic lock (NFC card key).



Rubber cushioning pad

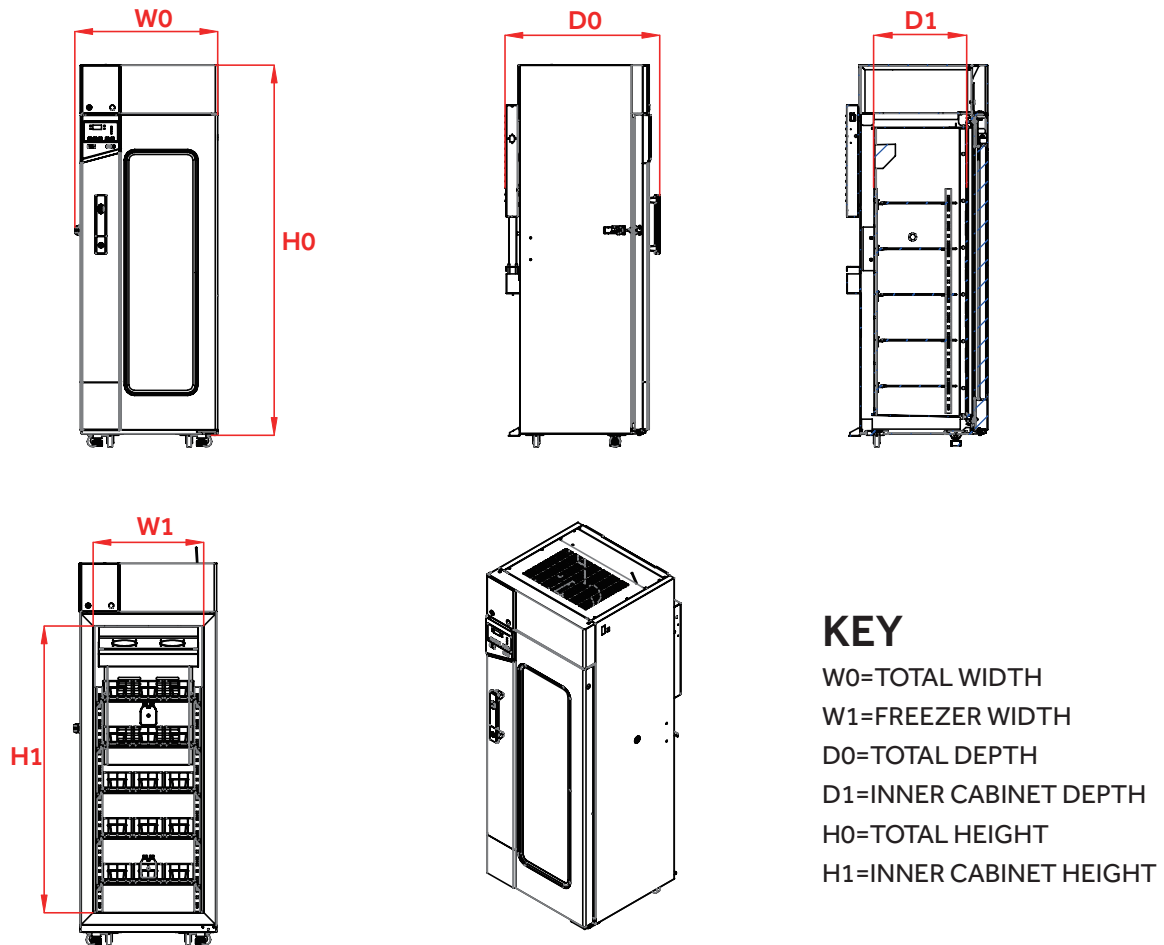
Equipped with a rubber cushioning pad at the bottom, and a fixed hole position is reserved in the middle and bottom of the back of the unit, which is stable and reliable.



Exterior dimension (W*D*H:660* 705*1700mm), the unit can easily be carried through the door of medium-sized bus, easy to disassemble and assemble.



Product Dimensions



CODE MODEL	W0	W1	D0	D1	H0	H1
HXC-279	660mm	505mm	705mm	410mm	1700mm	1315mm

Specifications

Model	Voltage (V/Hz)	Temperature Range (°C)	Exterior Dimension (W*D*H mm)	Interior Dimension (W*D*H mm)	Capacity (L)	Net Weight (kg)	Shelves/Blood Baskets	Blood Bag Storage Capacity (400ml)
HXC-279	220/50	4±1	660*705*1700	505*410*1315	279	113	5/15	120

